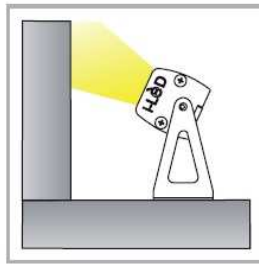
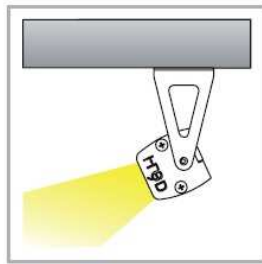
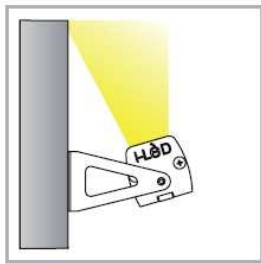


FIXING BRACKETS

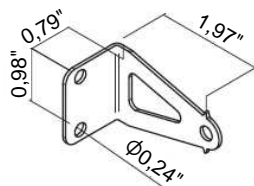
BRACKETS FOR FIXING AND ROTATION OF XENIA LINEAR BARS. BRACKETS MADE STAINLESS STEEL AISI 304.

INSTALLATION WITH BRACKETS

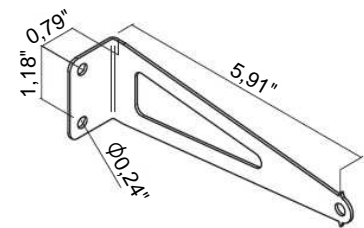


TECHNICAL DATA

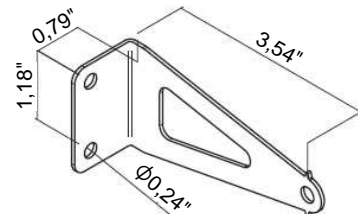
Code

SS 89044

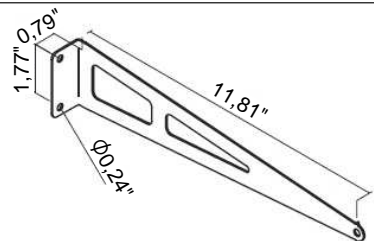
Code

SS 89046

Code

SS 89045

Code

SS 89047

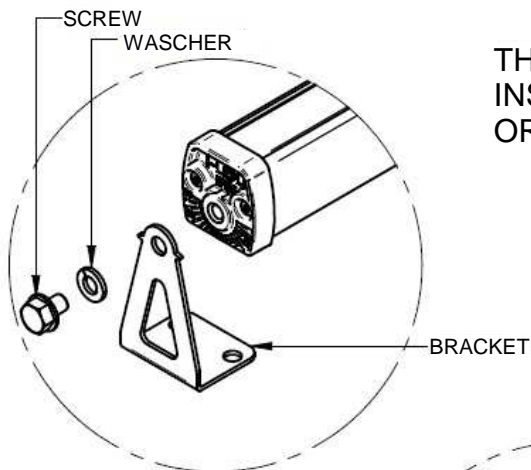
THIS PRODUCT MUST BE INSTALLED IN ACCORDANCE WITH THE APPLICABLE INSTALLATION CODE BY A PERSON FAMILIAR WITH THE CONSTRUCTION AND OPERATION OF THE PRODUCT AND THE HAZARDS INVOLVED

MOUNTING INSTRUCTIONS

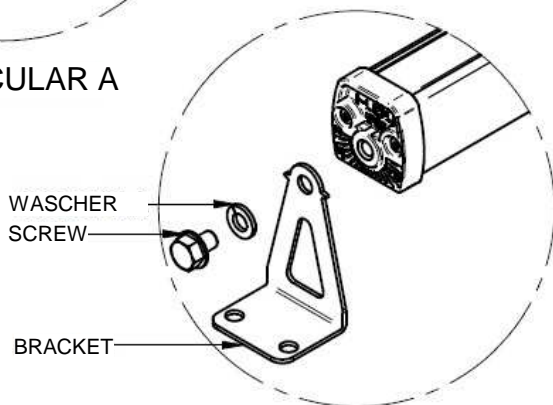
READ ALL OF THESE INSTRUCTIONS BEFORE INSTALLING FIXTURES

- CAUTION: USE ONLY WITH CLASS 2 POWER UNIT
- Keep all of the instructions for future reference
- Turn off power before installing fixture
- Installation is to be performed by a qualified electrician only
- All installations must conform to the National Electrical Code as well as all local jurisdictional codes and regulations
- Any modification of the luminaire will void any and all written or implied warranties
- The manufacture accepts no responsibility for damage to persons or property arising through improper use or installation

INSTALLATION BRACKETS

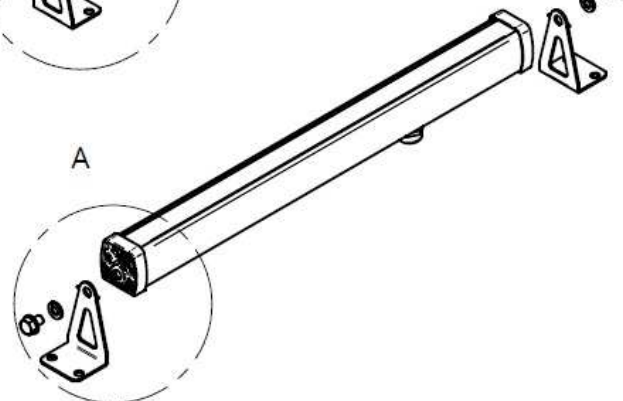
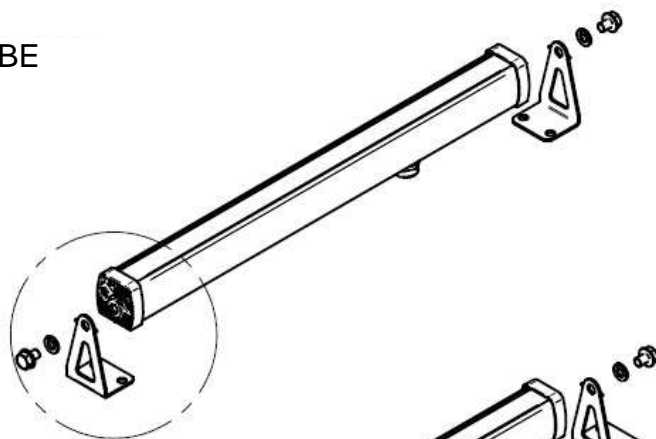


PARTICULAR A



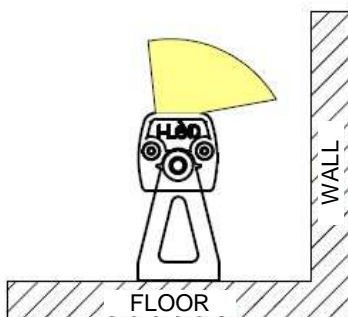
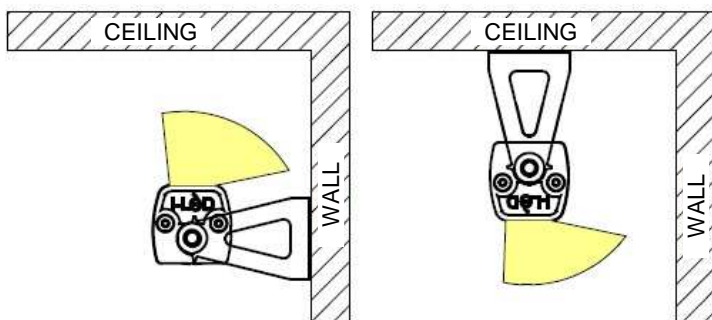
PARTICULAR B

THE BRACKET CAN BE INSTALLED IN TWO ORIENTATIONS



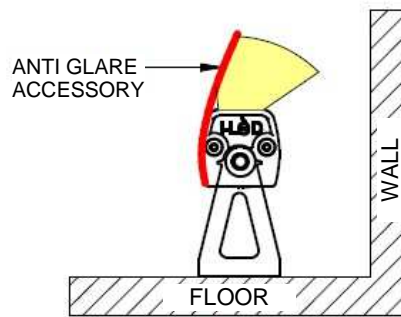
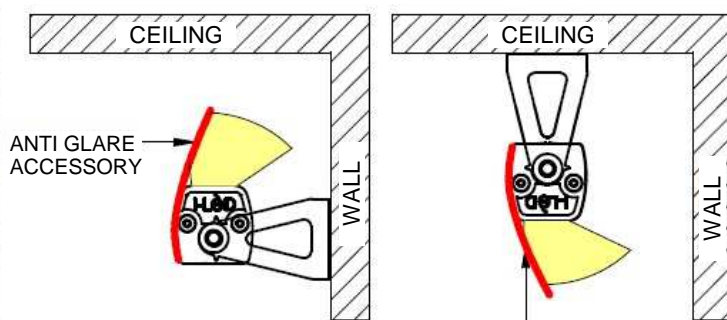
B

INSTALLATION WITH ASYMMETRIC LENS



THE SIDE OF THE XENIA WITH THE LABEL FOR ASYMMETRIC LENS MUST BE INSTALLED TO THE WALL

INSTALLATION WITH ANTI GLARE ACCESSORY



THE XENIA WITH ANTI GLARE ACCESSORY MUST BE INSTALLED AS THE PICTURE

INSTALLATION SEQUENCE

- Mount remote driver in accessible well ventilated space
- Ensure power is off before connecting driver to line voltage
- Follow the pictures for the installation by brackets
- Connect secondary wiring to fixture wiring
- **WARNING** - Be sure secondary wiring is connected to driver BEFORE energizing to avoid LED failure
- Energize

XENIA	
Colours Secondary Cable	Pole
Wire red	+
Wire blue	-