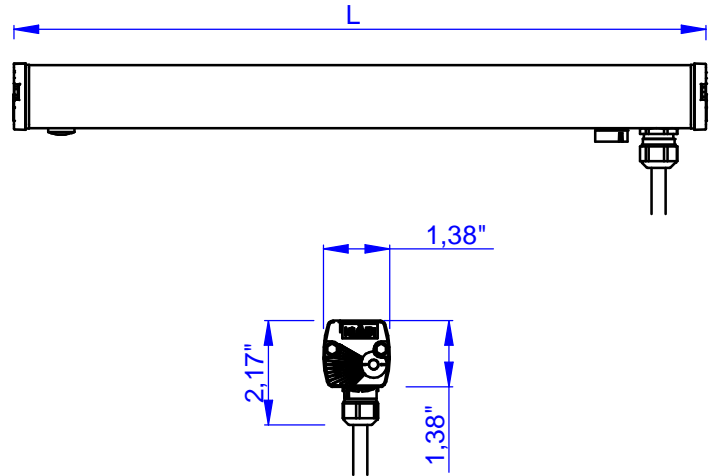
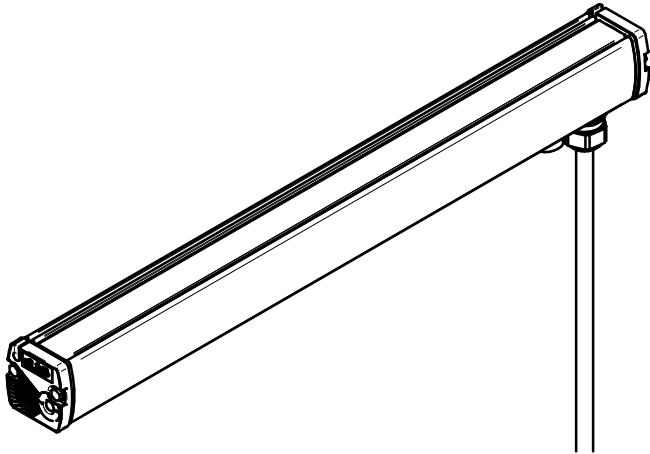


Data Sheet

FINISH	LENGHT	CODE	COLOUR LED	OPTIC
ANODI ZED ALUMI NUM	14,41"	E93690	4000K - N 3000K - W	20° - 20
	24,80"	E93691		50° - 50
	36,61"	E93755		90° - 90
	48,42"	E93785		Elliptic - 25 Asym - 07



Finishes

Anodized Aluminum

Product Description

Profile extruded anodized aluminum with CREE XPG2 LED CRI80. Optical linear extruded made of polycarbonate transparent available in 20° - 50° - 90° - Elliptic - Asymmetric. End caps made of die-cast aluminum and powder coated (gray). Supplied with cable gland and 16,40 ft. cable SJEOOW 2X18AWG. Installation available in wall, ceiling, floor with AISI304 brackets of various lengths that allow even the rotation of the profile. Equipped with TCS valve to prevent the formation of condensation / humidity inside. Power supply remote.

LED White :
4000K - 3000K

Color LED :
-

Optic :
20° - 50° - 90° - Elliptic - Asym.

LED RGB :
-

Optic :
-

LENGHT	CODE	CURRENT	NOMINAL POWER	WEIGHT	VOLUME
14,41"	E93690	630mA	6W	1 Lbs	1403"³
24,80"	E93691		12W	1,55 Lbs	2135"³
36,61"	E93755		18W	2,20 Lbs	3661"³
48,42"	E93785		24W	2,87 Lbs	4393"³

Applications

Indoor Spotlight

Power Led:

LED XPG2 CREE - CRI80 - ANSI BIN 1/16

Resin: No

Cable type included: Yes

Connector type: 16,40 ft. SJEOOW cable 2X18AWG red/blue

Input (mA) : see tab.

Nominal power (W): see teb.

Real power (W) see tab.

Temperature on the surface of the glass: 40°C

Adjustability: Yes, with bracket accessory

Drive over: No

Glow Wire: 850°

Power supply: Remote

Insulation class: Class 2

IP 66

IK 10

Weigh: see tab.

Volume: see tab.

Luminous flux

Type LED	n°led	Nominal Lumen*		Nominal Power
		4000K - N	3000K - W	
XPG2	3	749	703	6W
	6	1498	1406	12W
	9	2247	2109	18W
	12	2996	2812	24W

*Value of the luminous flux from the LED data sheet.

△ : OK

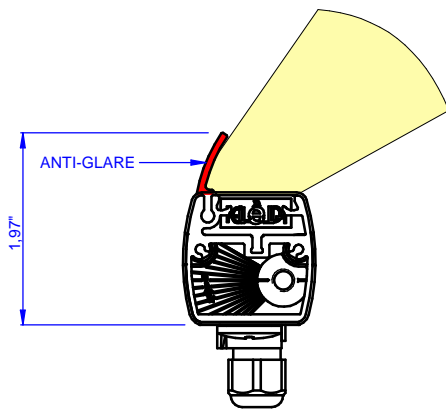
ETL : OK

THIS PRODUCT MUST BE INSTALLED IN ACCORDANCE WITH THE APPLICABLE INSTALLATION CODE BY A PERSON FAMILIAR WITH THE CONSTRUCTION AND OPERATION OF THE PRODUCT AND THE HAZARDS INVOLVED

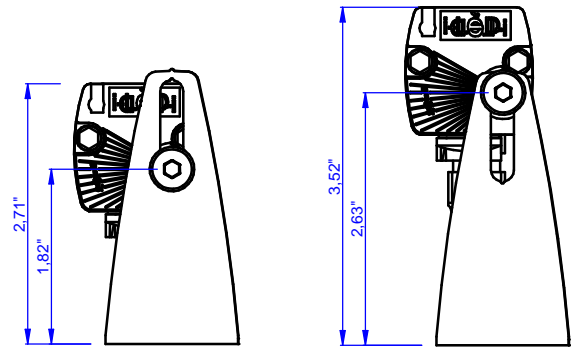
READ ALL OF THESE INSTRUCTIONS BEFORE INSTALLING FIXTURES

- Keep all of the instructions for future reference
- Turn off power before installing fixture
- Installation is to be performed by a qualified electrician only
- All installations must conform to the National Electrical Code as well as all local jurisdictional codes and regulations
- Any modification of the luminaire will void any and all written or implied warranties
- The manufacture accepts no responsibility for damage to persons or property arising through improper use or installation

ANTI-GLARE PROFILE

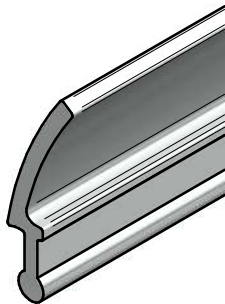


BRACKETS cod 98949: HEIGHT ADJUSTABLE

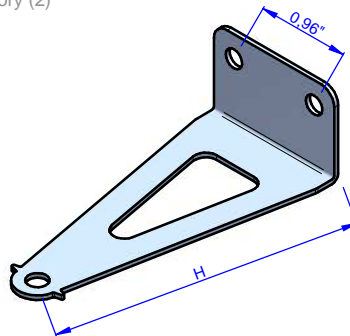


Accessories

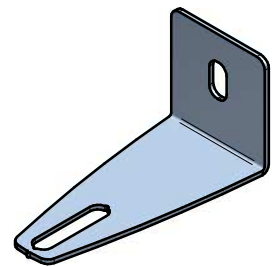
Accessory (1)



Accessory (2)



Accessory (3)



Accessory (1)

Anti-glare profile: cod. 98782 (L.13,82") // cod.98783 (L. 24,21") // cod.98784 (L. 36,02") // cod.98785 (L. 47,83")

Accessory (2)

Fixing brackets: cod. 89045 (H. 3,54") // cod.89046 (H. 5,91") // cod.89047 (H. 11,81")

Accessory (3)

Fixing brackets adjustable: cod. 98949

Accessory (4)