



### RUBBER 3D FAMILY



**WARNING:**

INSTALL PRODUCT IN ACCORDANCE WITH LOCAL AND NATIONAL ELECTRICAL CODES BY A QUALIFIED ELECTRICIAN

**WARNING:**

FAILURE TO COMPLY WITH THE INSTALLATION INSTRUCTIONS MAY RESULT IN DEATH OR SEVERE INJURY.

**WARNING:**

READ ALL SAFETY INSTRUCTIONS INCLUDED WITH LUMINAIRE BEFORE INSTALLING LUMINAIRE. SAVE INSTRUCTIONS FOR FUTURE USE.

**CAUTION:**

THIS IS AN ELECTRONIC DEVICE. CARE MUST BE TAKEN DURING STORAGE AND HANDLING. STORE IN A CLEAN, COOL AND DRY LOCATION. ELECTROSTATIC DISCHARGE (ESD) CAN HARM THIS PRODUCT. AVOID STATIC DISCHARGE WHILE HANDLING THIS PRODUCT.

**CAUTION:**

INTER-LUX IS NOT RESPONSIBLE FOR THE STRUCTURAL INTEGRITY OF THE BUILDING TO SUPPORT THE LUMINAIRE. ADDITIONAL BACKING MAY BE REQUIRED.

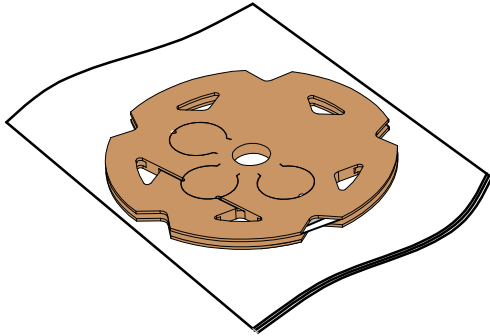
LOCATE AND REVIEW ANY CONSTRUCTION PLANS AND INTER-LUX RECORD DRAWINGS FOR ALL FIXTURE RUNS. IT IS RECOMMENDED TO LOCARE AND LAY OUT ALL COMPONENTS FOR EACH FIXTURE "RUN". A FIXTURE RUN TYPICALLY CONSISTS OF JOINERS, LENGHTS OF HOUSING, AND ENDCAPS. BE SURE TO IDENTIFY ALL CORRECT LENGHTS FOR EACH FIXTURE RUN.

<i>Rubber 3D</i>	
<b>E80402</b>	<b>E80394</b>
<b>E82208</b>	<b>E80395</b>
<b>E82211</b>	<b>E80396</b>
<b>E82214</b>	<b>E80397</b>
<b>E80404</b>	<b>E80398</b>
<b>E80400</b>	<b>E80399</b>
<b>E80401</b>	<b>E80403</b>

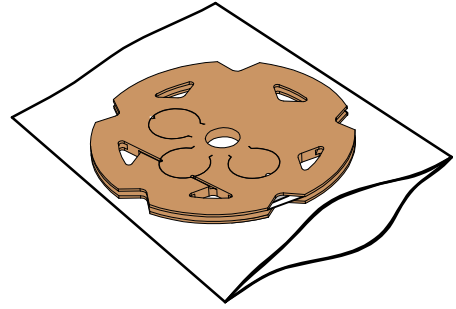


←INSTALLATION INSTRUCTIONS VIDEO

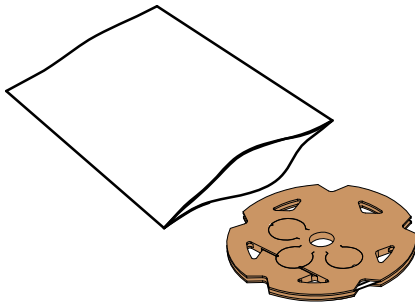
1



2



3

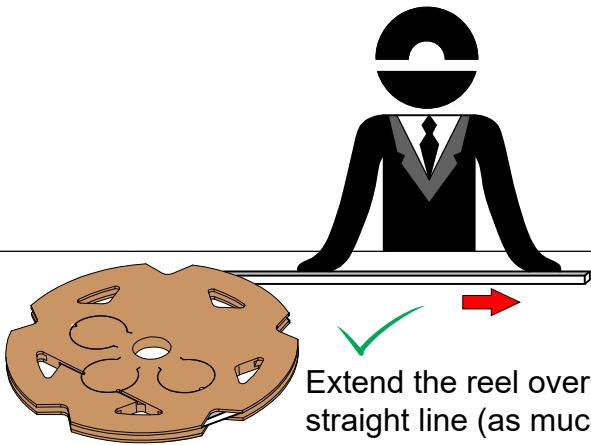
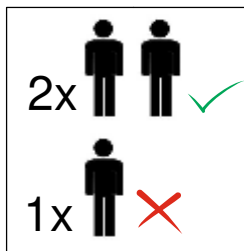


4

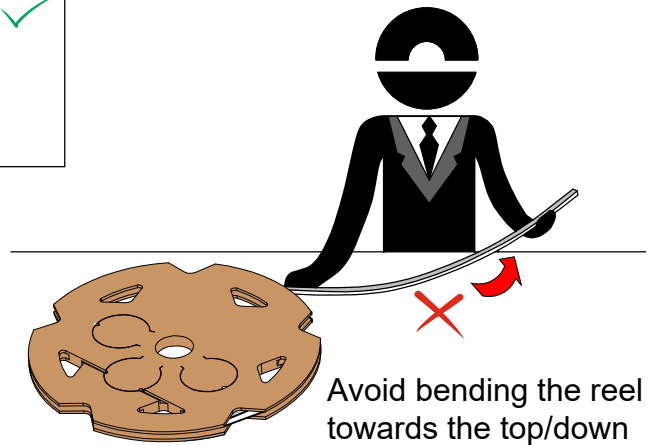


Please wear the provided gloves

5

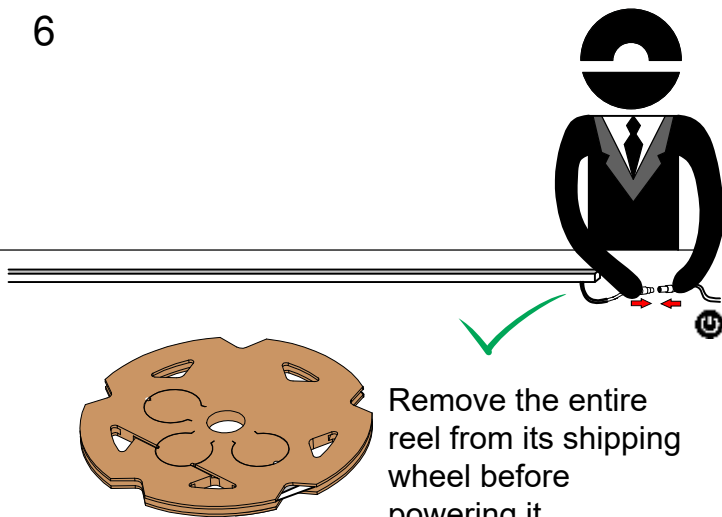


Extend the reel over, in a straight line (as much as possible)

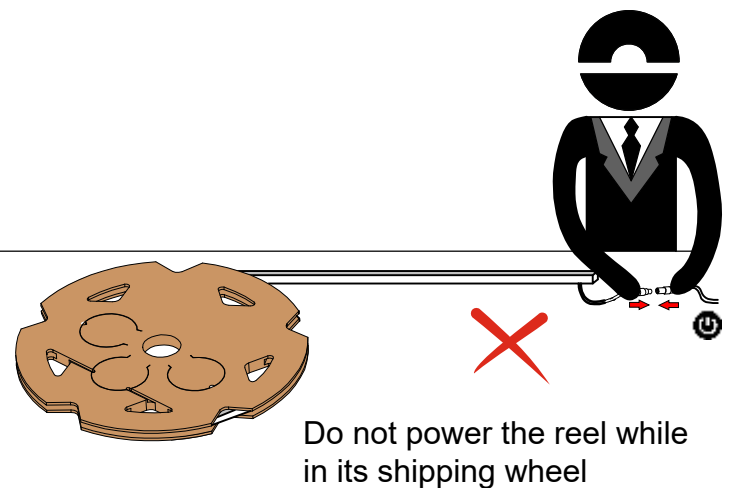


Avoid bending the reel towards the top/down

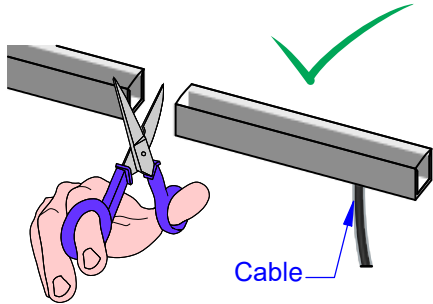
6



Remove the entire reel from its shipping wheel before powering it

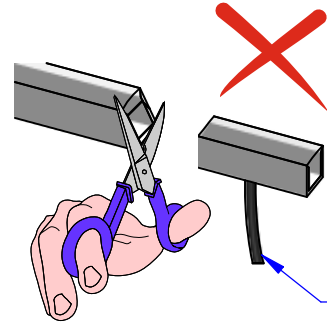


Do not power the reel while in its shipping wheel



Make straight cuts

Cable

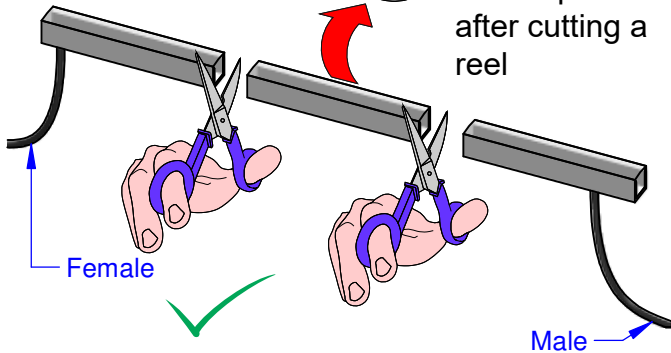


Diagonal cuts are not allowed

Cable



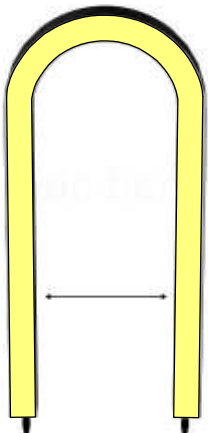
Discard the middle piece after cutting a reel



Female

Male

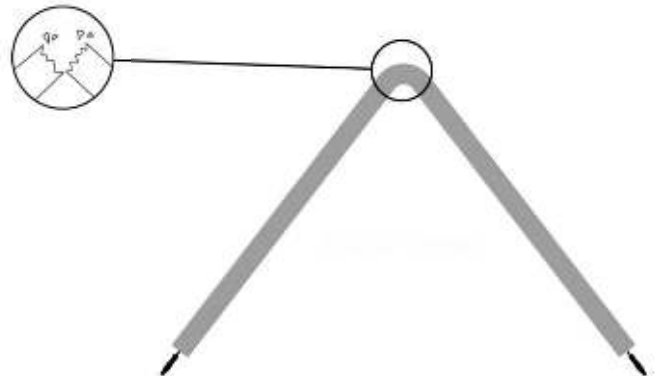
Minimum bending radius 9.9"



Ø19.7" MIN

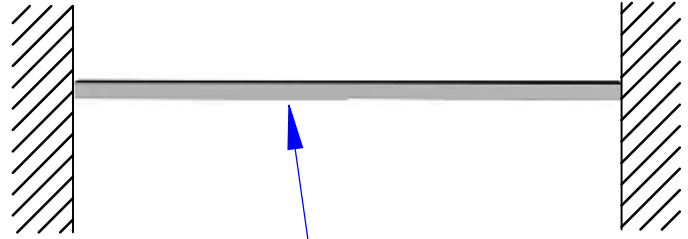


Do not bend the fixture in a radius tighter than 9.9"

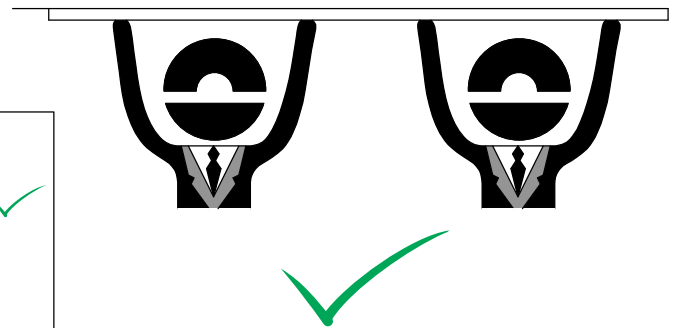
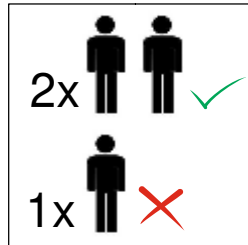
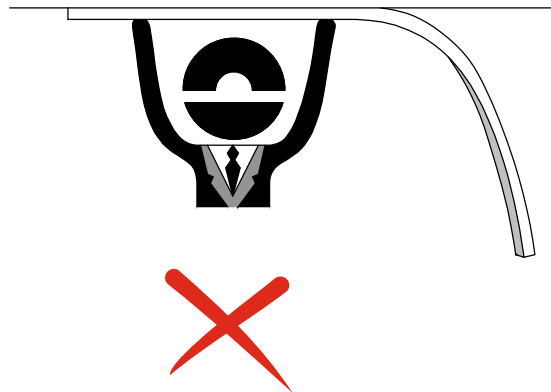




Do not twist the fixture at or close to the cable entry

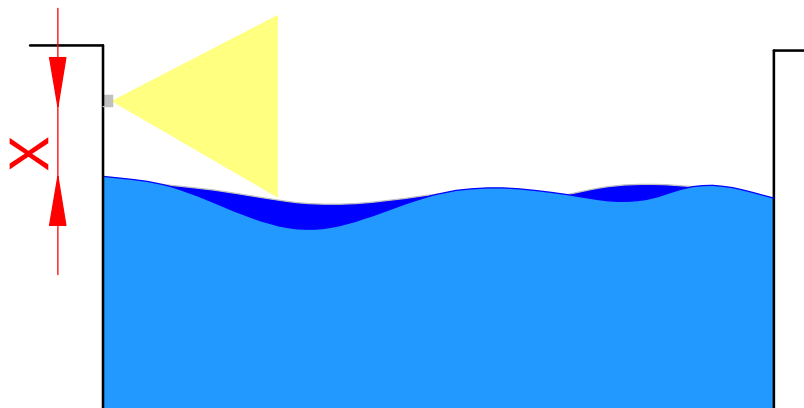


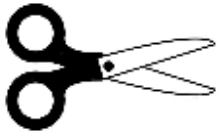
Do not suspend the fixture from its ends



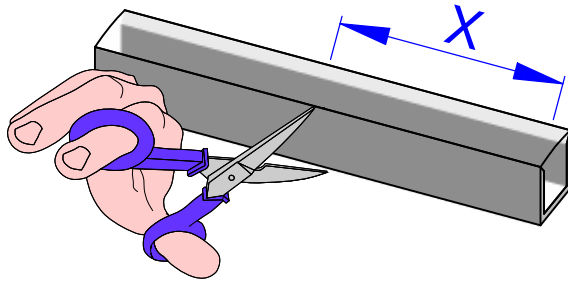
When installing it near water, allow for a minimum of 20" above water level

$X > 20"$

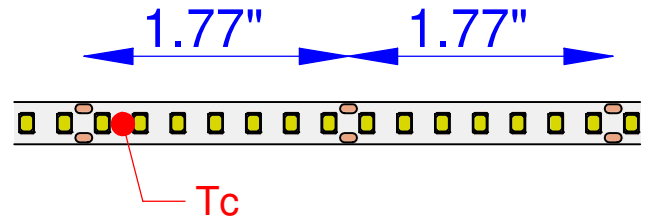


**WARNING!!!**

Read cutting instructions in the next page thoroughly before cutting the fixture  
You will end up with an unlit section of up to 1.77" if directions are not followed.



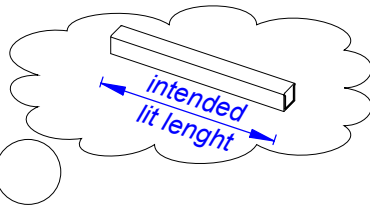
The strip has LED sections every 1.77" (45mm)



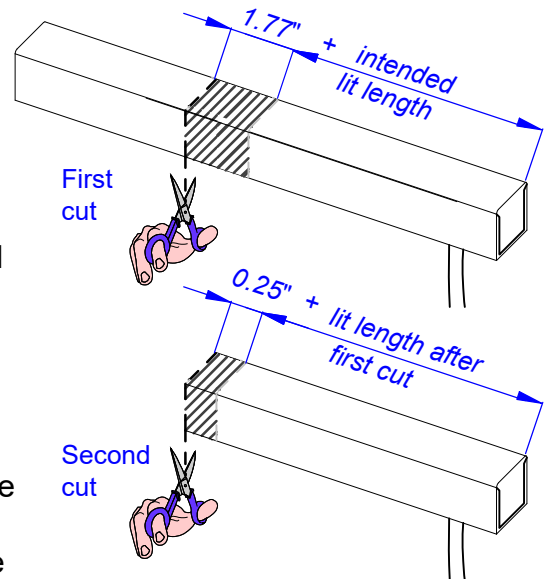
$$X = 1.77" \times (1 / 2 / 3 / ..) \quad \checkmark$$

$$X < 1.77" \quad \times$$

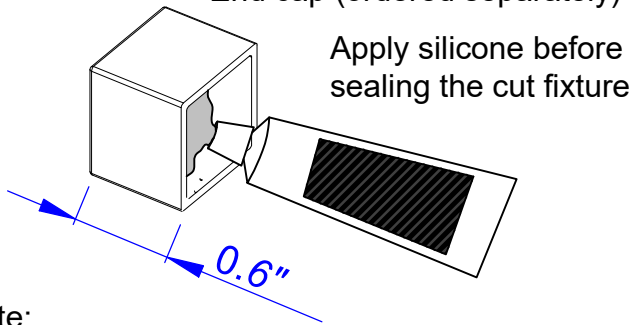
1

**MEASURING AND CUTTING INSTRUCTIONS:**

a) Add 1.77" (45mm) to the intended lit length, and mark the fixture at the bottom with a pen/marker, then do your first cut. b) Energize the fixture. After doing the first cut, you would end up with an unlit section of up to 1.77" (45mm), look at the back of the fixture and locate the last lit line, and make a second mark. c) De-energize the fixture, then make a third mark 0.25" towards the previously cut end, then do the second and final cut there. d) Energize and test again.



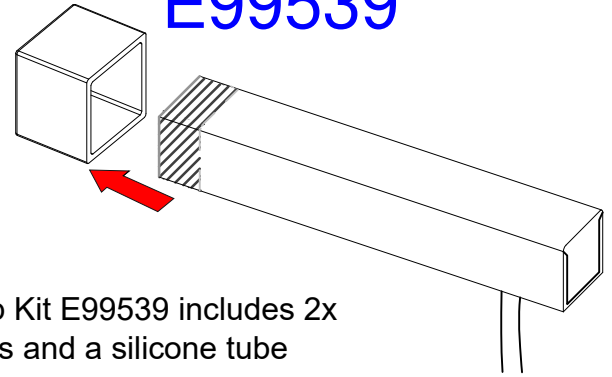
## 2 End cap (ordered separately)



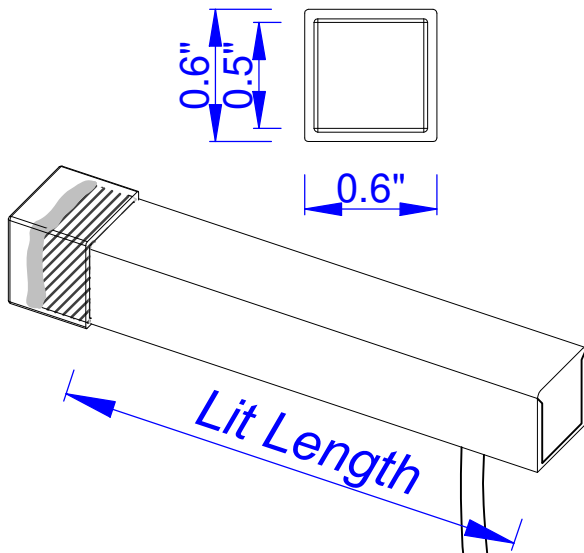
## Note:

If using a mounting profile, the profile needs to be cut 0.6" shorter (the end cap will not fit in the profile)

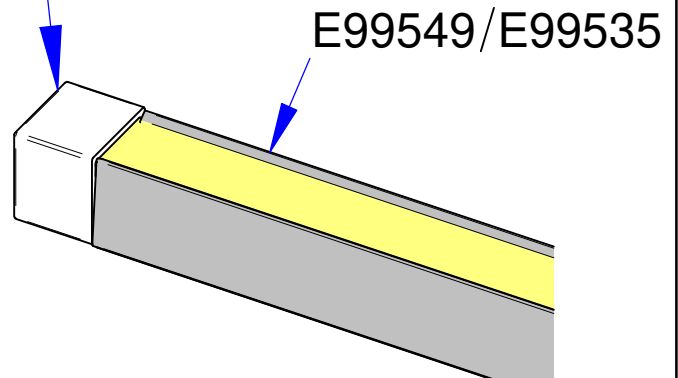
## 3 E99539

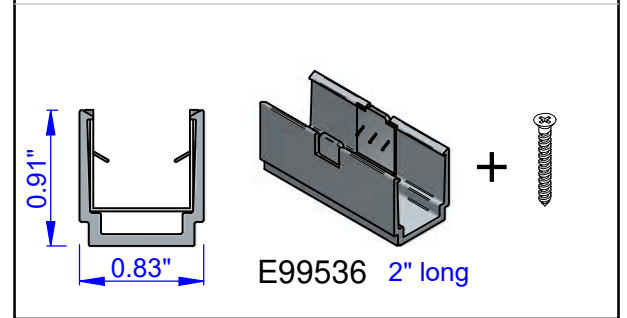
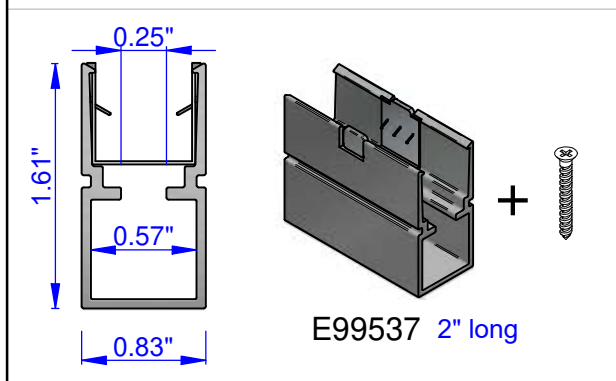
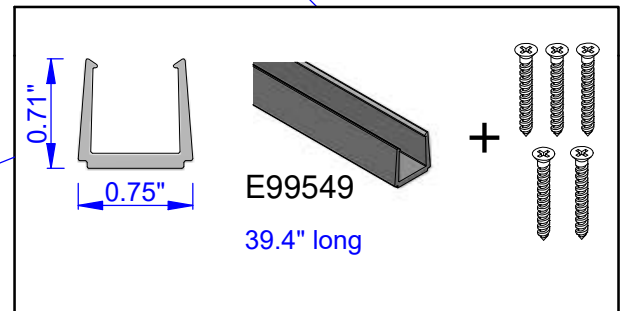
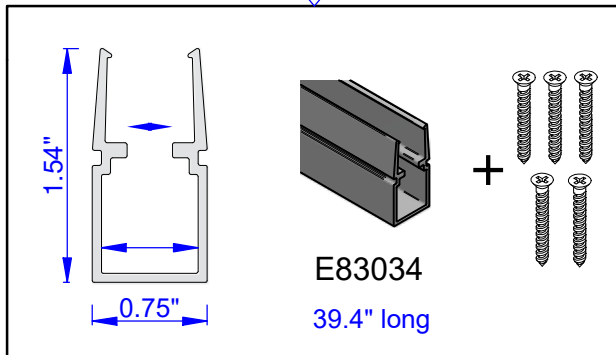
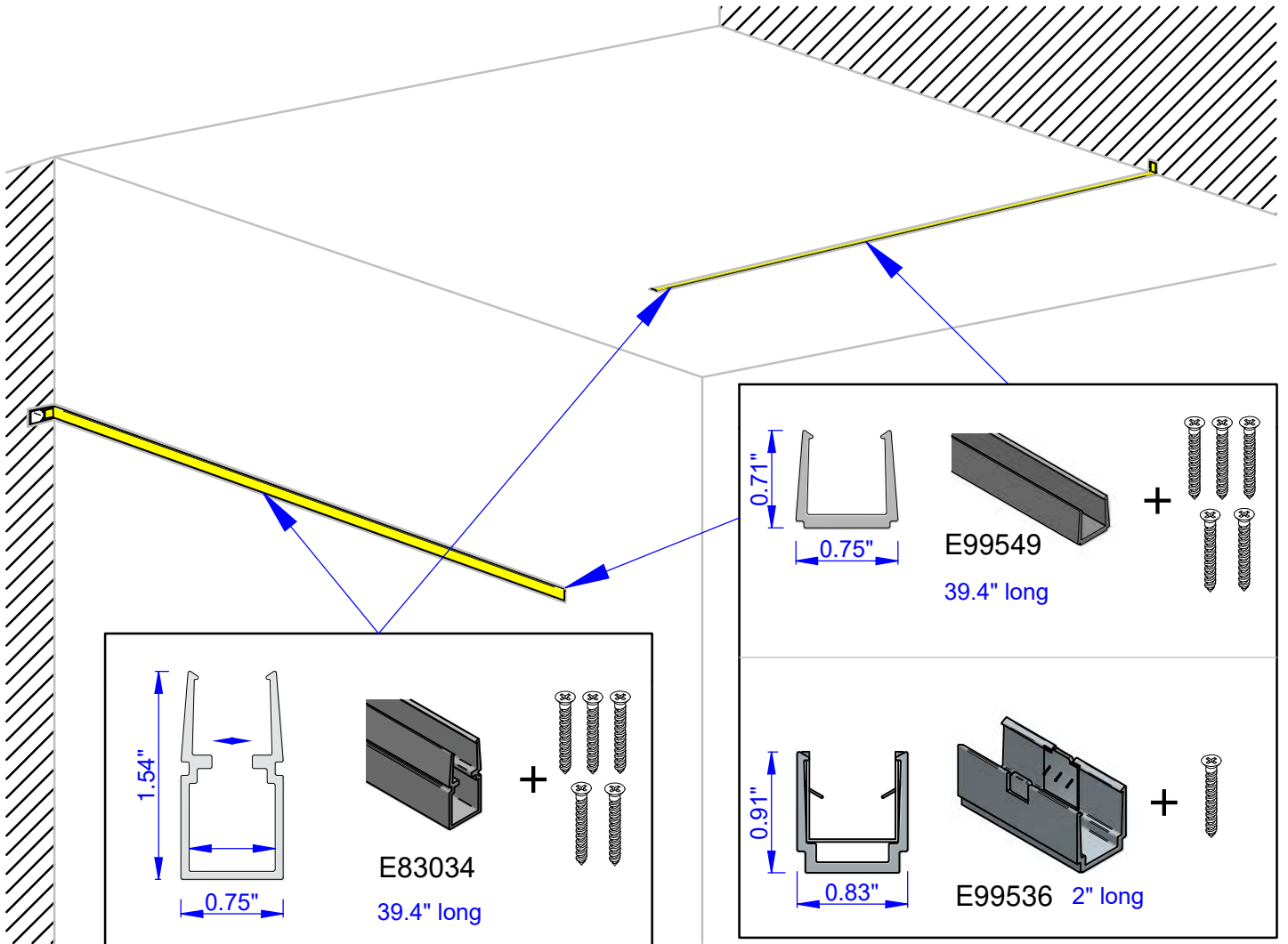
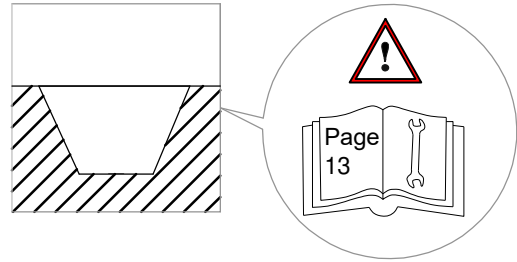
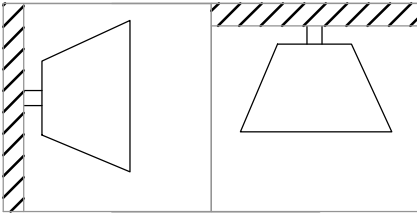


## 4



## 5 E99539

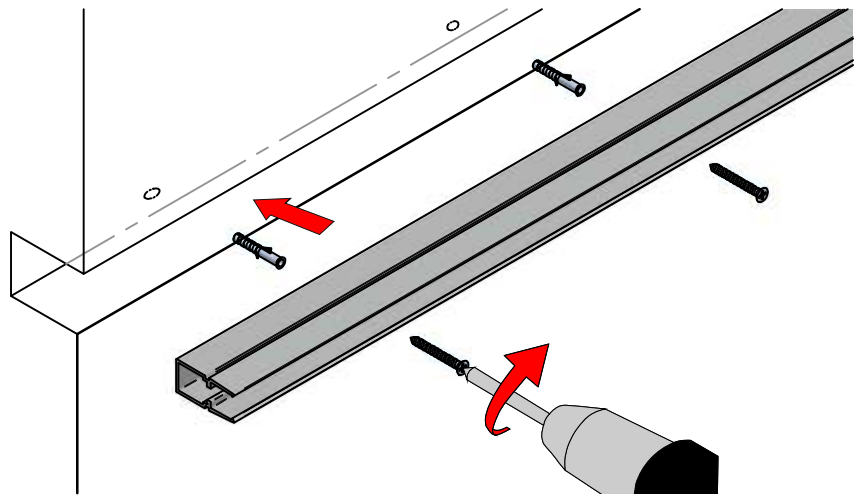
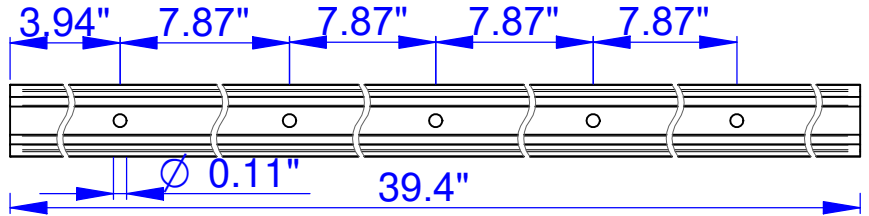
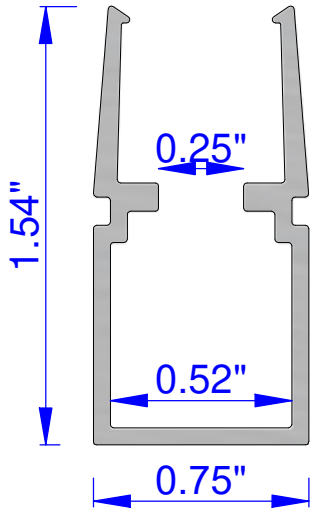




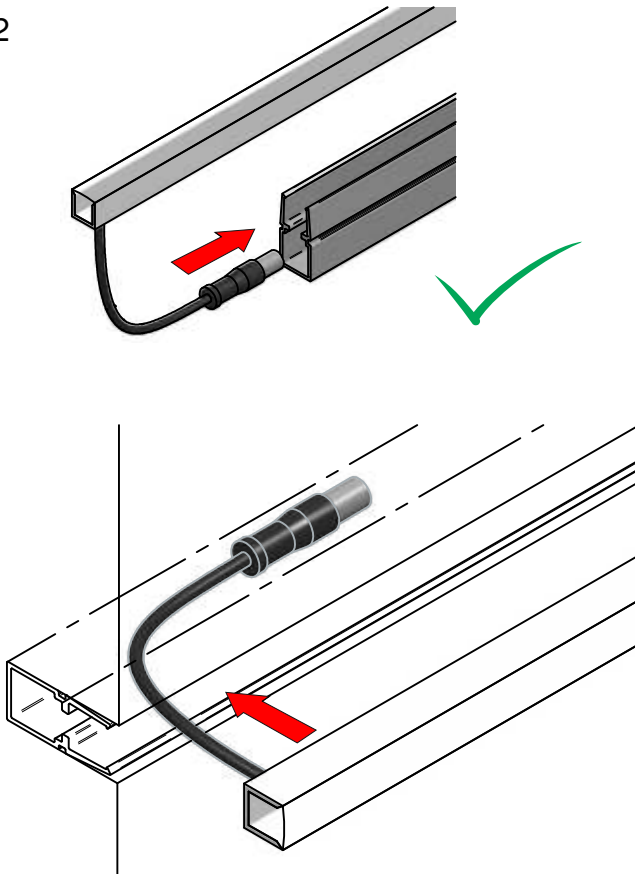


1

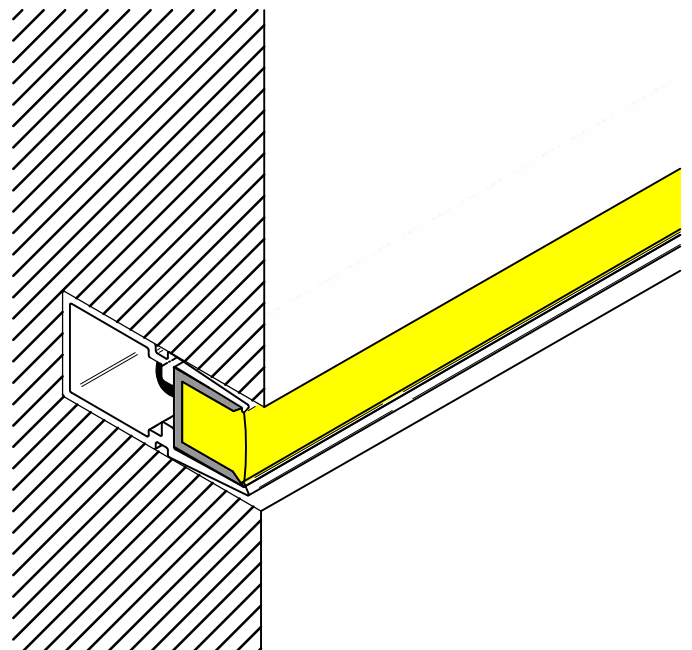
E83034



2



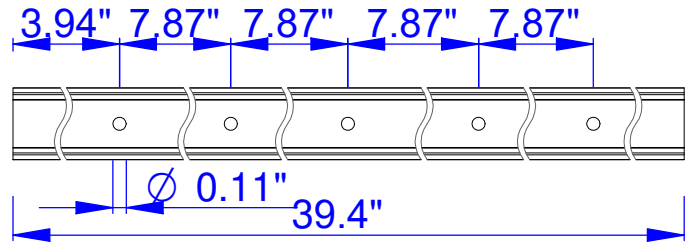
3



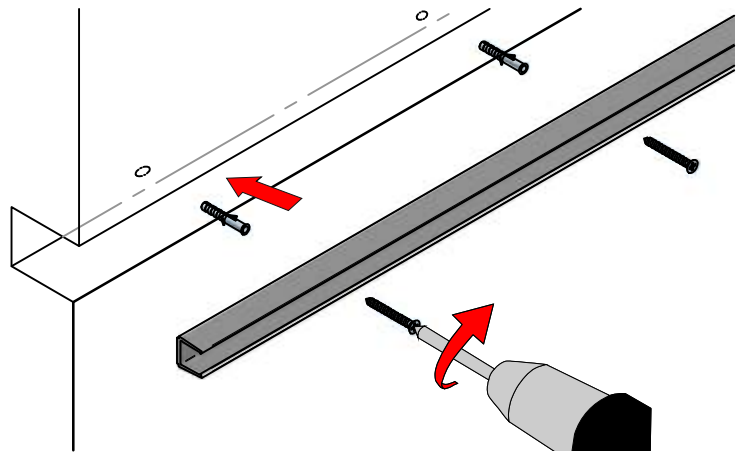
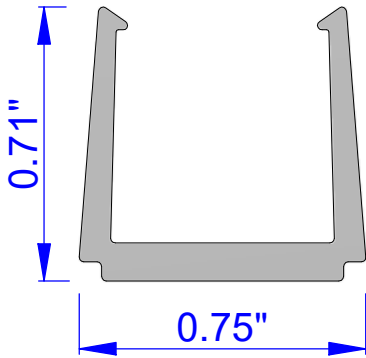




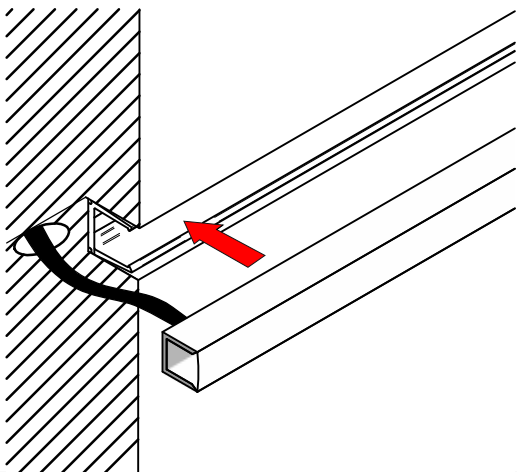
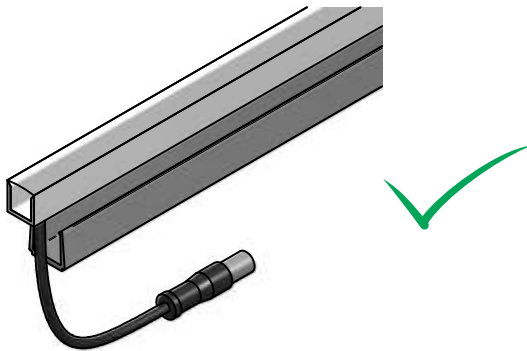
1



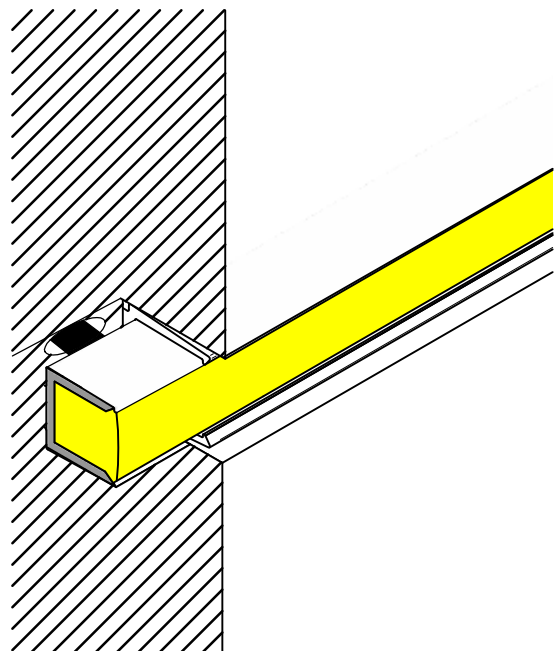
E99549



2

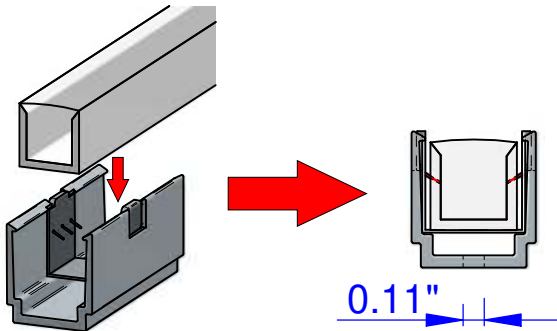
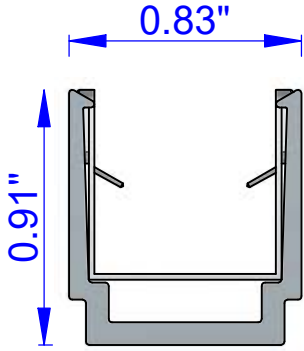


3

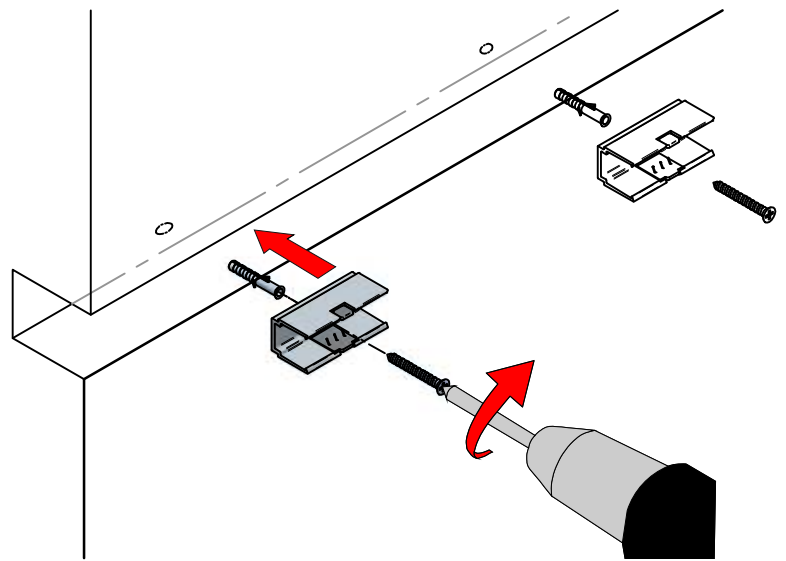




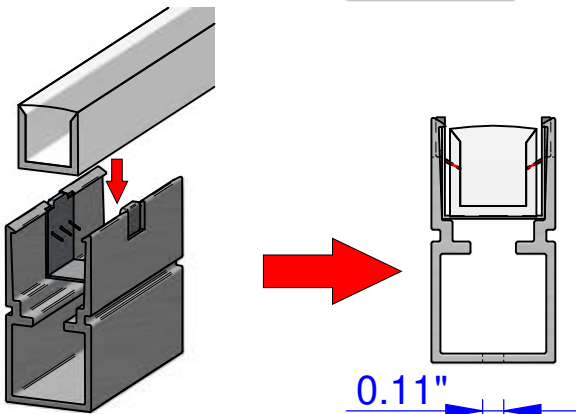
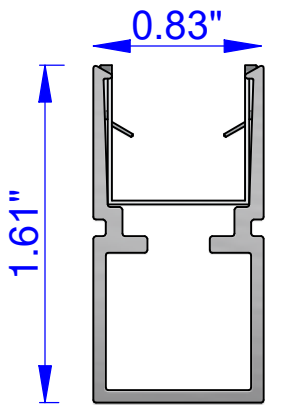
E99536  
2" long



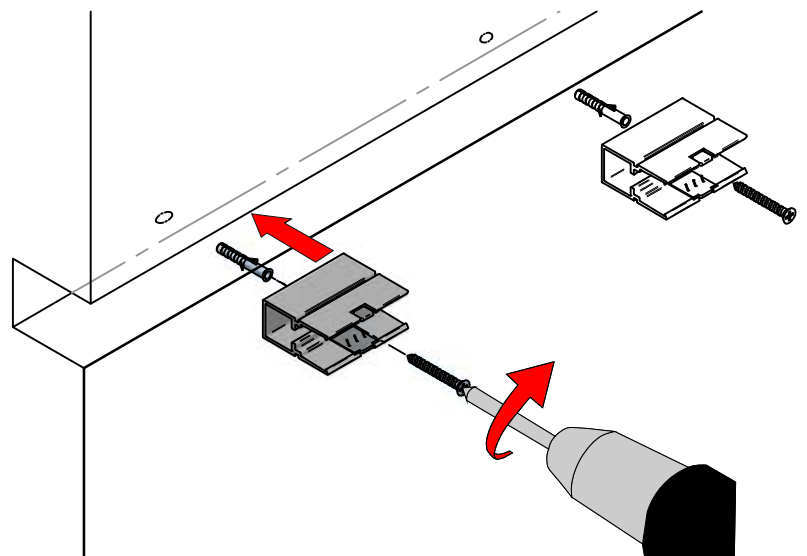
Suggested spacing between clips: 4" o.c.



E99537  
2" long

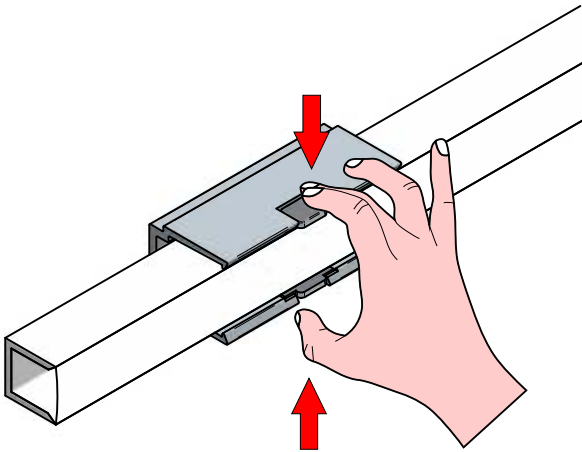


Suggested spacing between clips: 4" o.c.

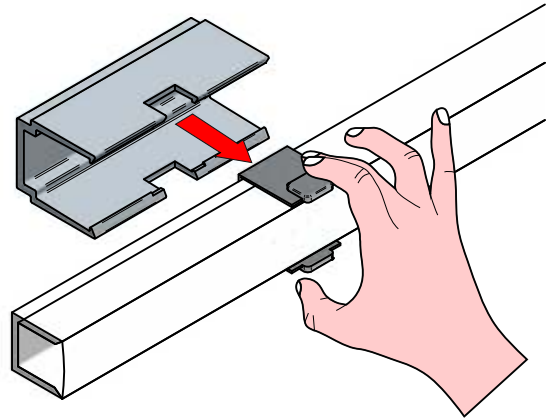
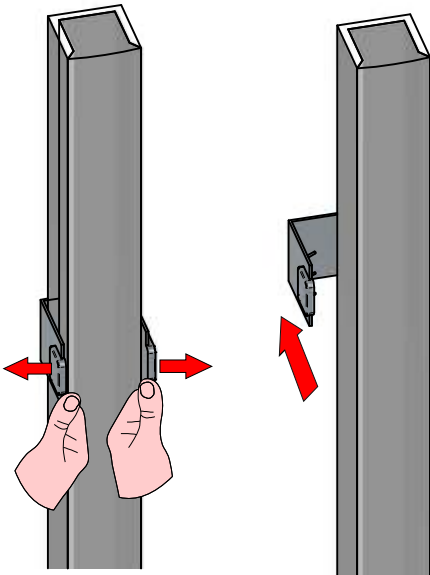


**FIXTURE REMOVAL**

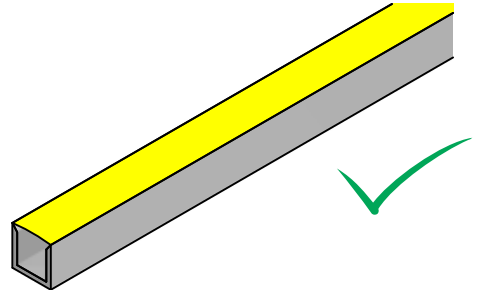
1



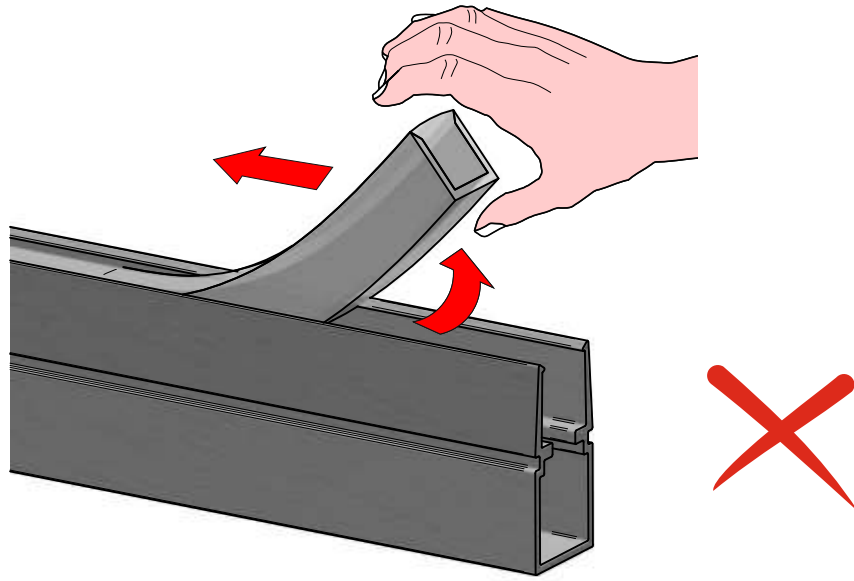
2

3 **REPOSITION CLIP AND REINSTALL  
FIXTURE**

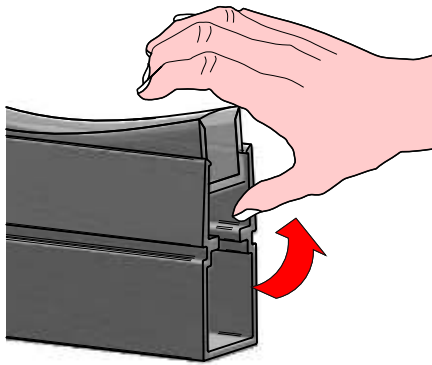
4



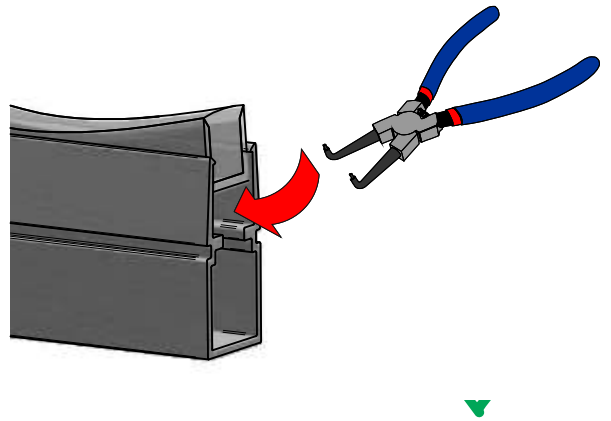
1



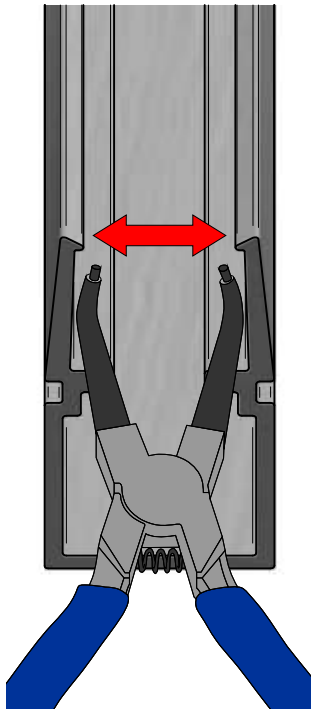
2



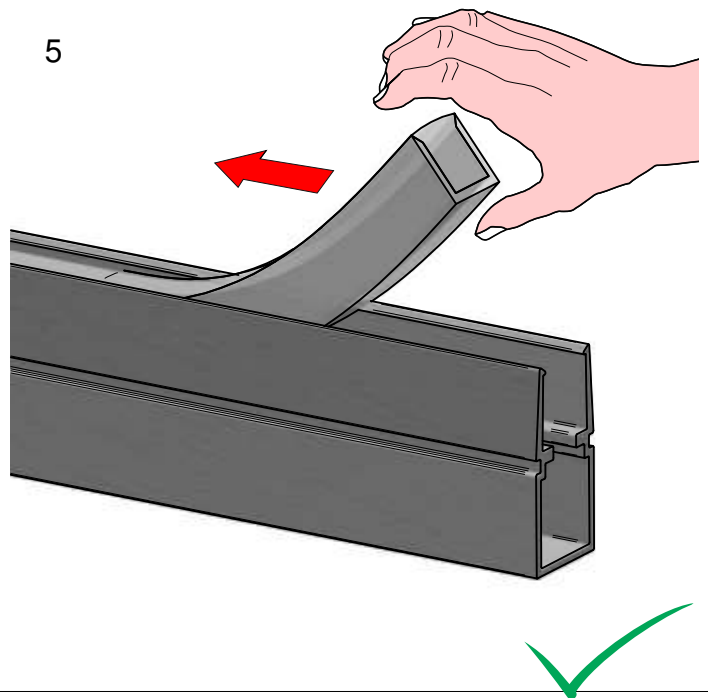
3

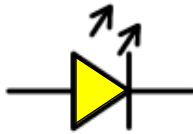
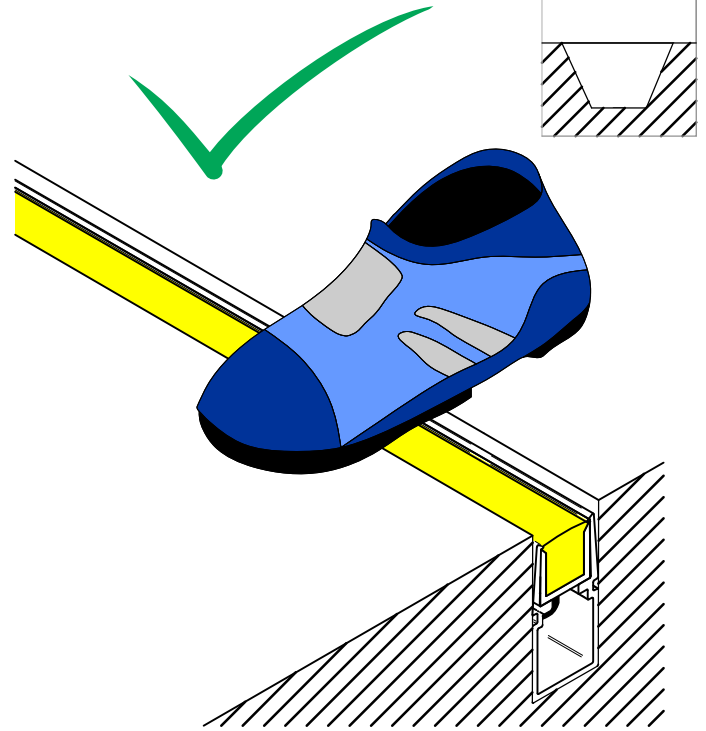
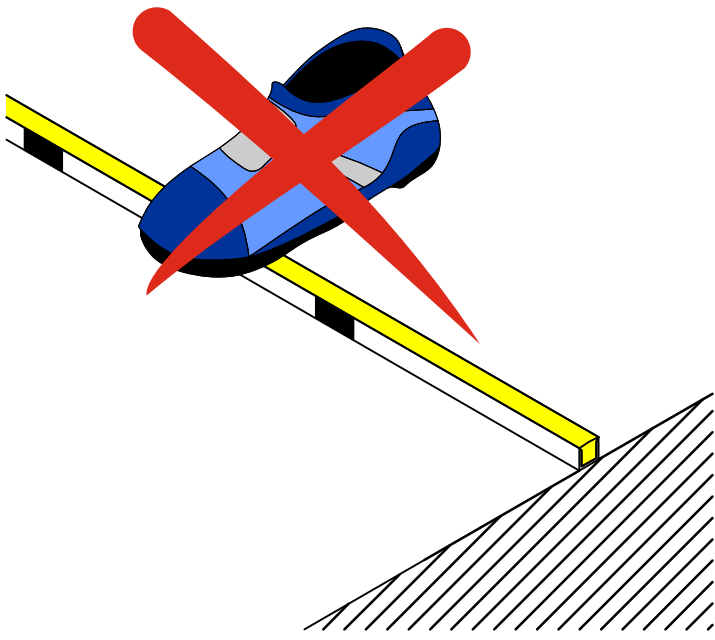


4



5



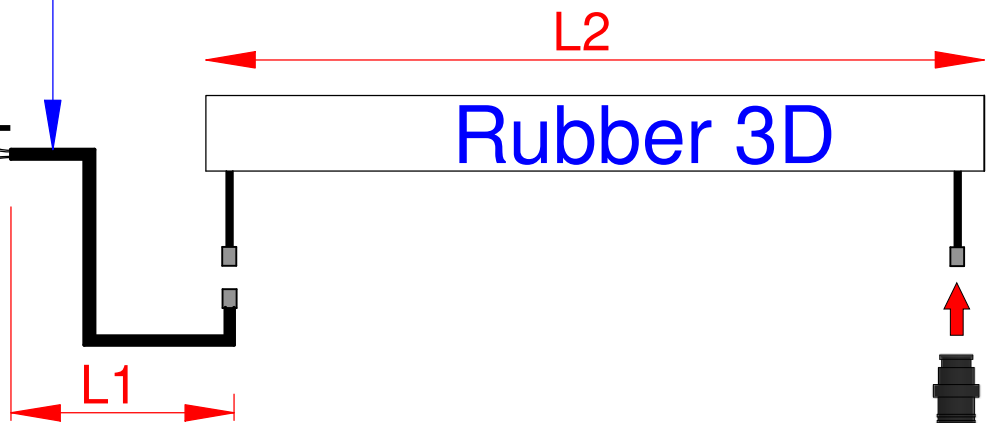


A

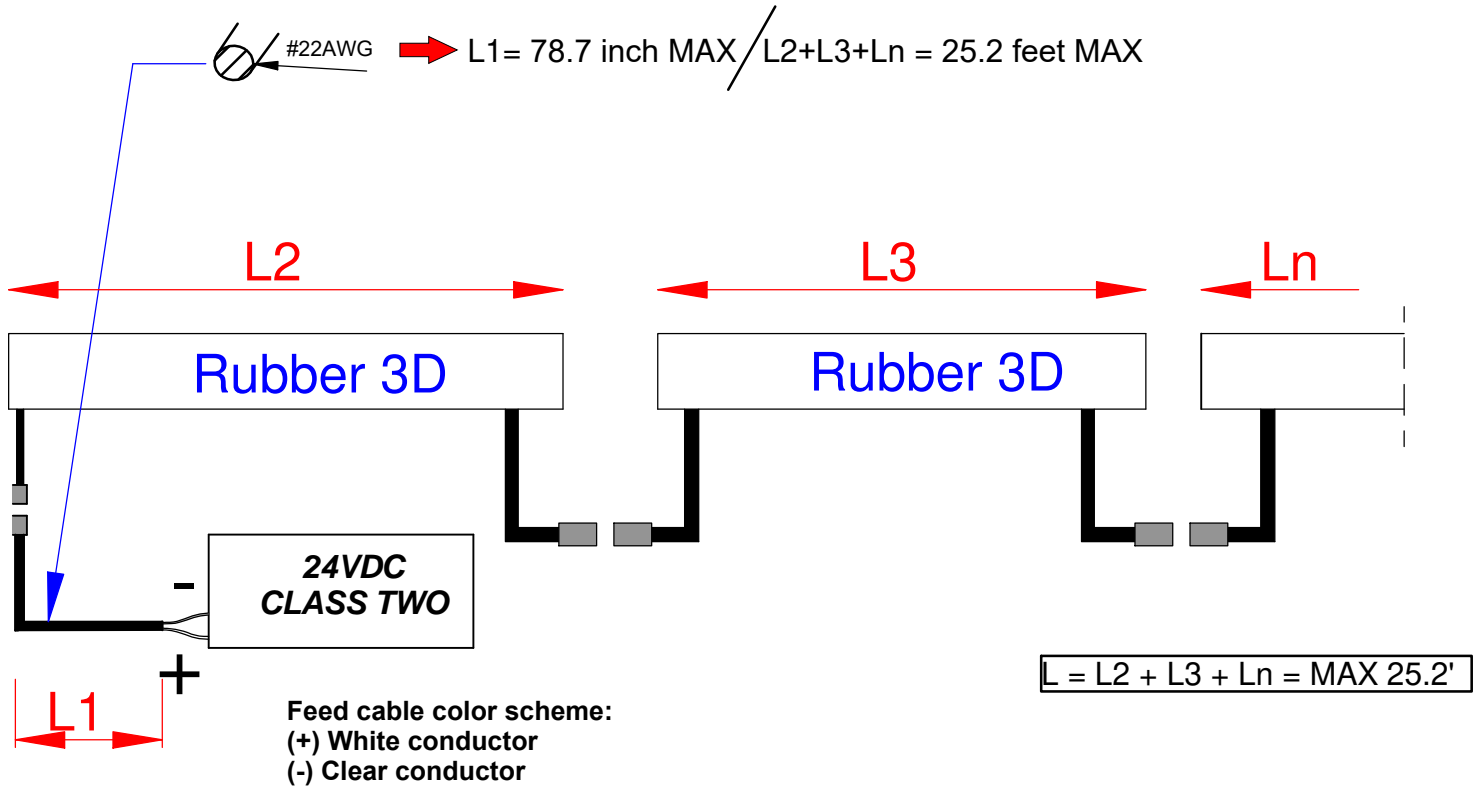
#22AWG → L1 = 78.7 inch MAX / L2 = 25.2 feet MAX

24VDC  
CLASS TWO

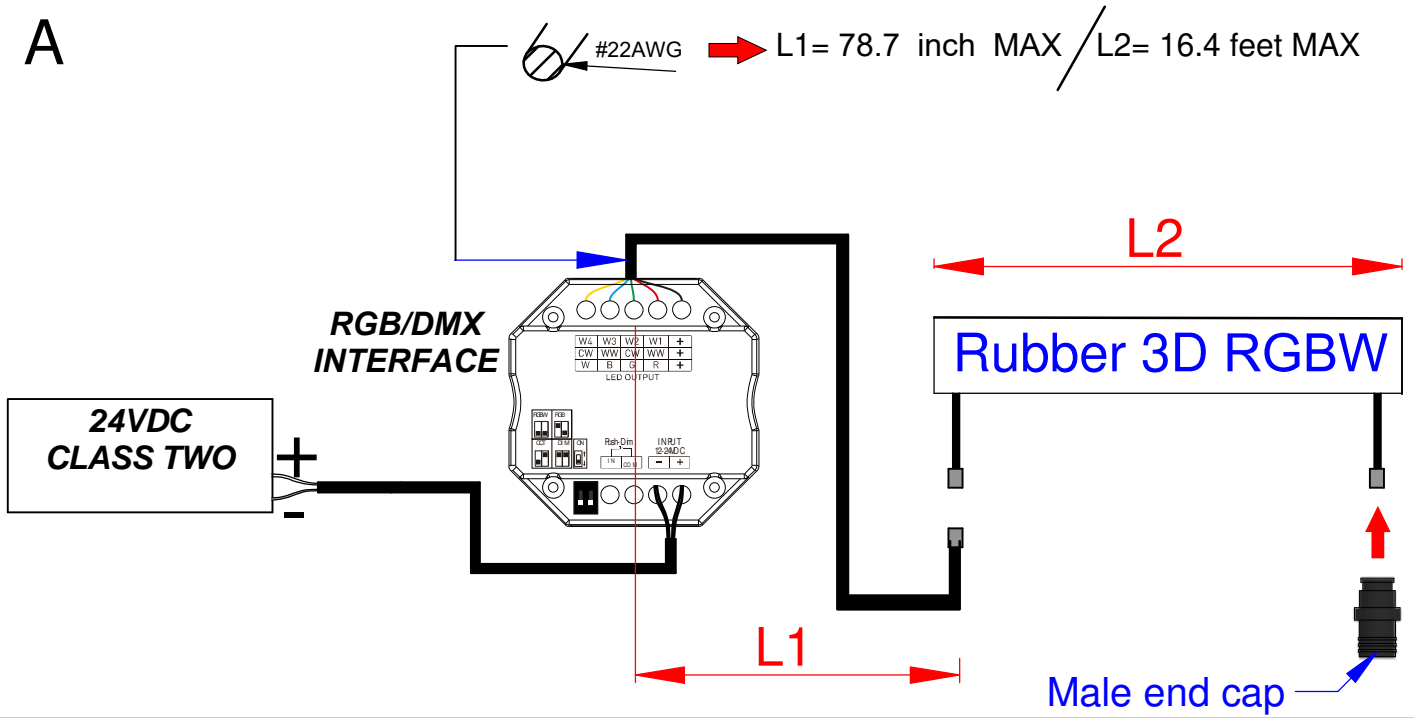
Feed cable color scheme:  
(+) White conductor  
(-) Clear conductor



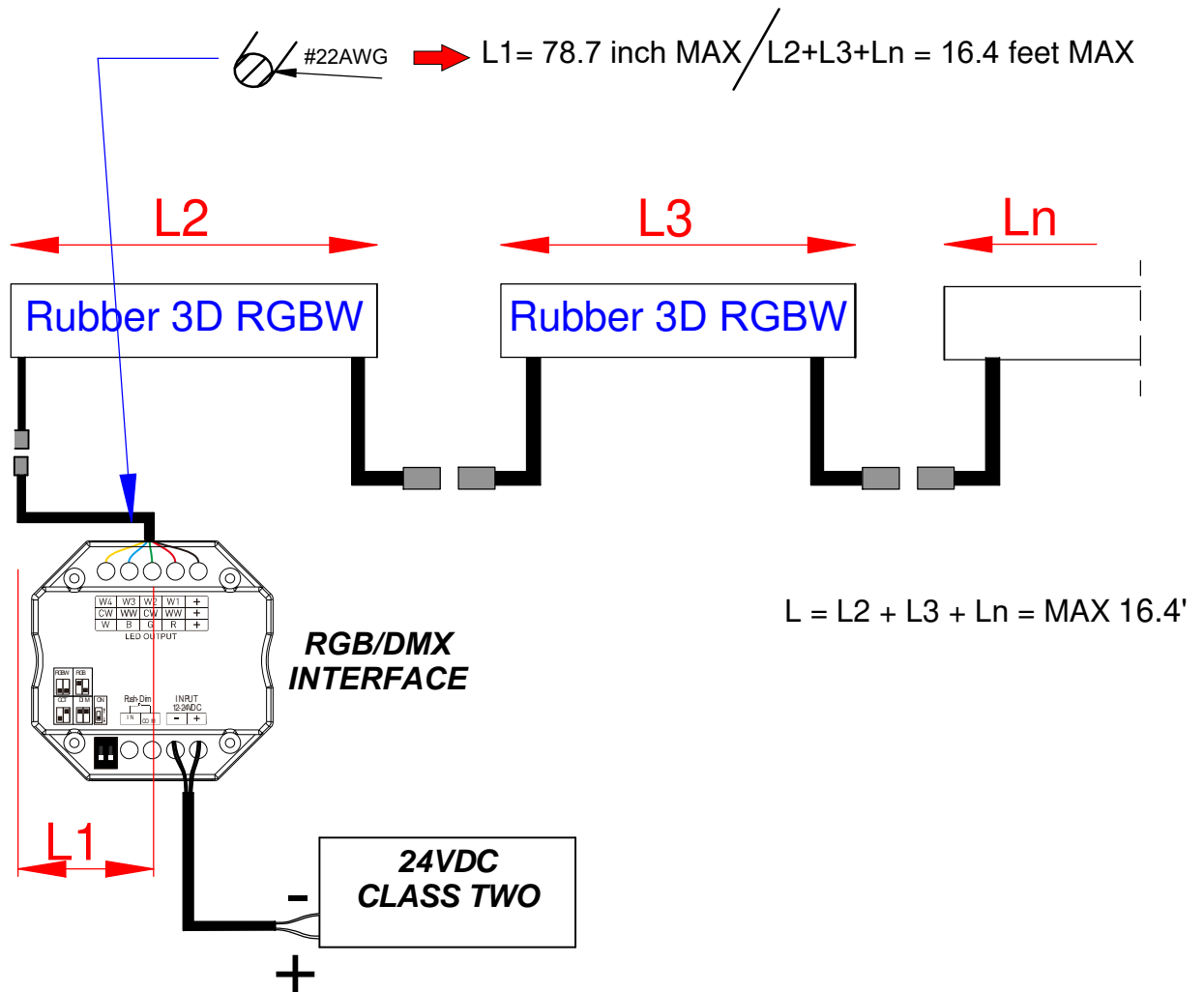
Male end cap

**B**

**A**



**B**



#### Rubber 2D /3D



#### E99688

*Extension 78.7" 2x#22AWG + 2 pole female connector (Ordered separately)*

#### E99689

*Extension 78.7" 2x#22AWG + 2 pole male connector (Ordered separately)*

#### Rubber 3D RGBW



#### E99692

*Extension 78.7" 5x#22AWG + 5 pole female connector (Ordered separately)*

#### E99693

*Extension 78.7" 5x#22AWG + 5 pole male connector (Ordered separately)*