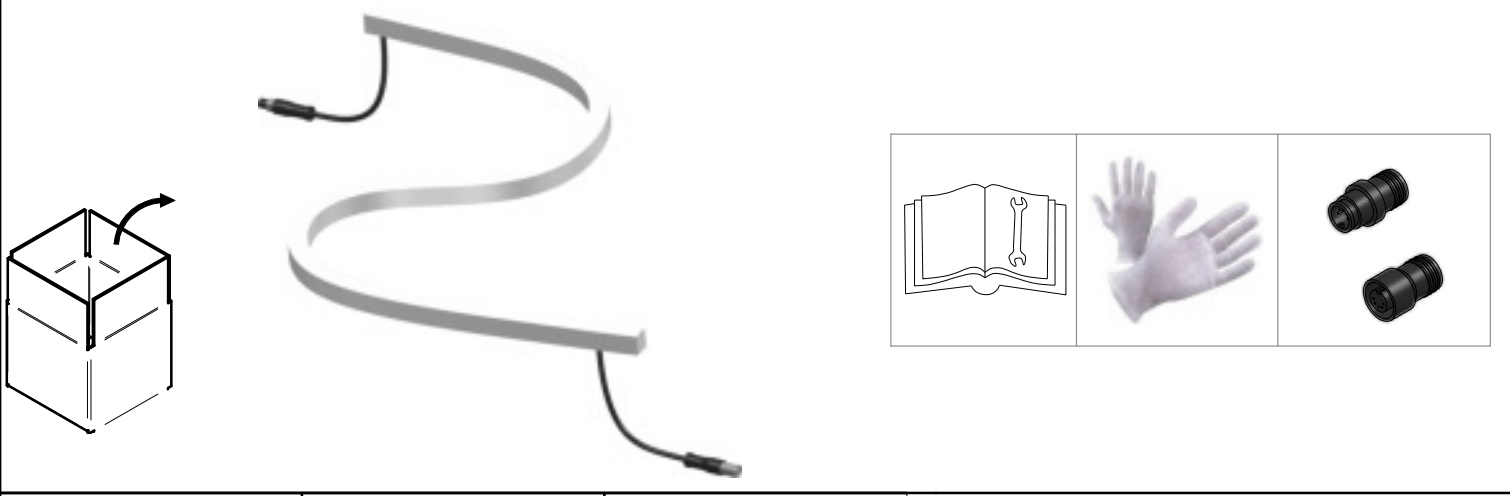




RUBBER 2D SIDE BEND



WARNING:

INSTALL PRODUCT IN ACCORDANCE WITH LOCAL AND NATIONAL ELECTRICAL CODES BY A QUALIFIED ELECTRICIAN



WARNING:

FAILURE TO COMPLY WITH THE INSTALLATION INSTRUCTIONS MAY RESULT IN DEATH OR SEVERE INJURY.



WARNING:

READ ALL SAFETY INSTRUCTIONS INCLUDED WITH LUMINAIRE BEFORE INSTALLING LUMINAIRE. SAVE INSTRUCTIONS FOR FUTURE USE.

CAUTION:

THIS IS AN ELECTRONIC DEVICE. CARE MUST BE TAKEN DURING STORAGE AND HANDLING. STORE IN A CLEAN, COOL AND DRY LOCATION. ELECTROSTATIC DISCHARGE (ESD) CAN HARM THIS PRODUCT. AVOID STATIC DISCHARGE WHILE HANDLING THIS PRODUCT.

CAUTION:

INTER-LUX IS NOT RESPONSIBLE FOR THE STRUCTURAL INTEGRITY OF THE BUILDING TO SUPPORT THE LUMINAIRE. ADDITIONAL BACKING MAY BE REQUIRED.

LOCATE AND REVIEW ANY CONSTRUCTION PLANS AND INTER-LUX RECORD DRAWINGS FOR ALL FIXTURE RUNS. IT IS RECOMMENDED TO LOCARE AND LAY OUT ALL COMPONENTS FOR EACH FIXTURE "RUN". A FIXTURE RUN TYPICALLY CONSISTS OF JOINERS, LENGHTS OF HOUSING, AND ENDCAPS. BE SURE TO IDENTIFY ALL CORRECT LENGHTS FOR EACH FIXTURE RUN.

Rubber Side Bend

E80409

E80410

E80411

E80412

E80413

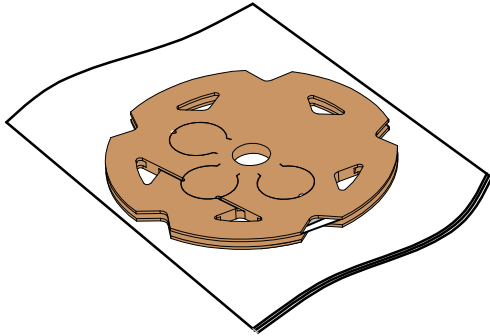
E80414



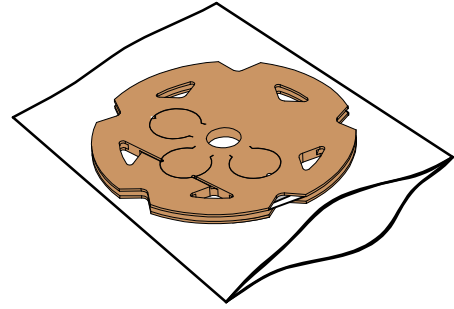
←INSTALLATION INSTRUCTIONS VIDEO

RUBBER 2D SIDE BEND

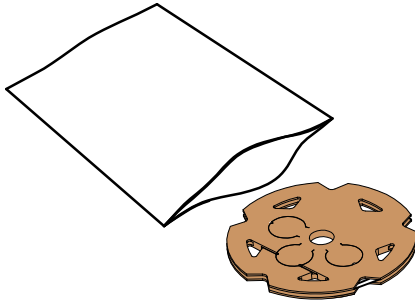
1



2



3

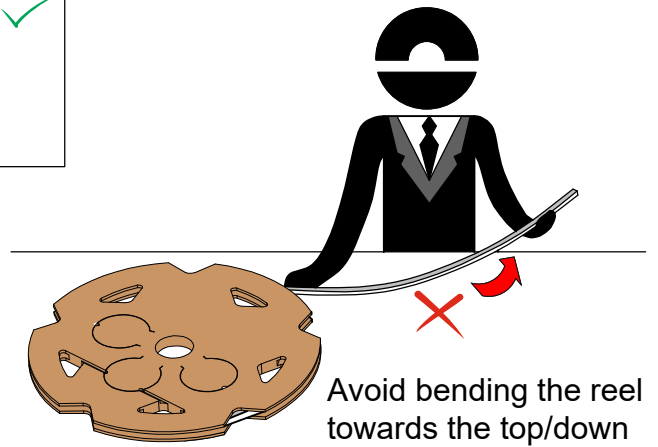
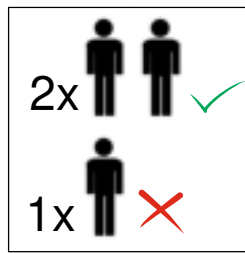
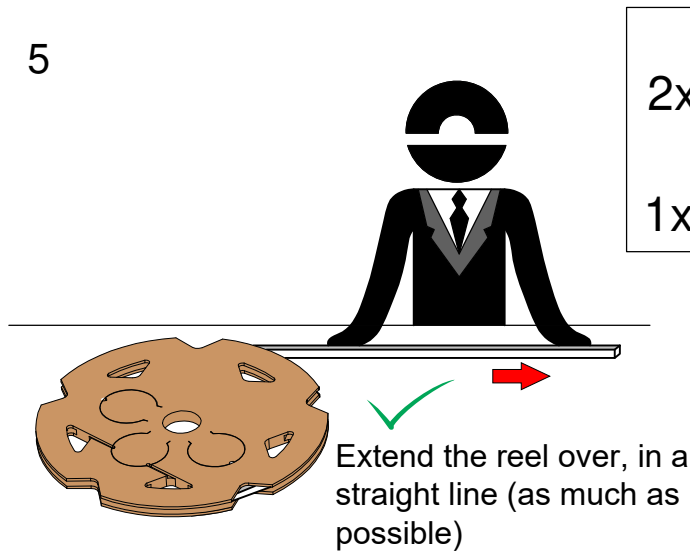


4

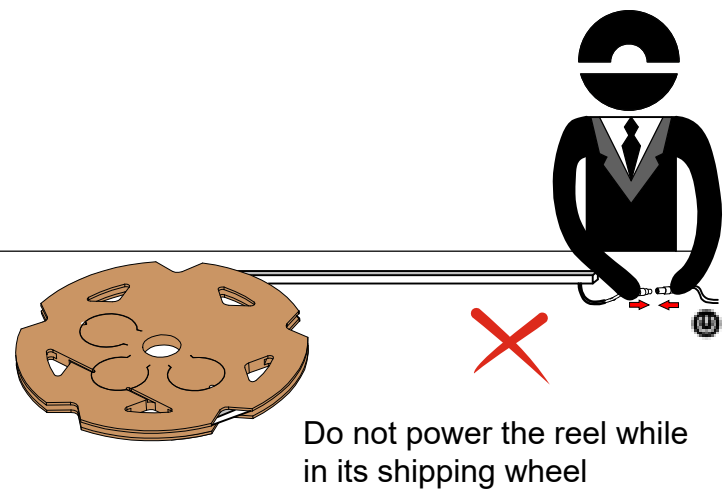
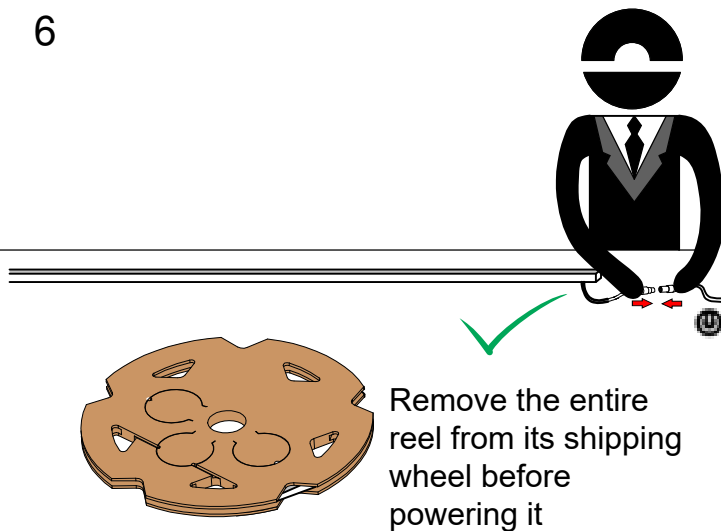


Please wear the provided gloves

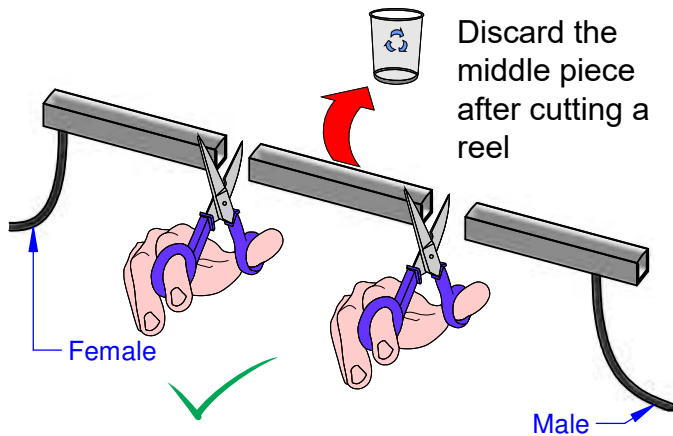
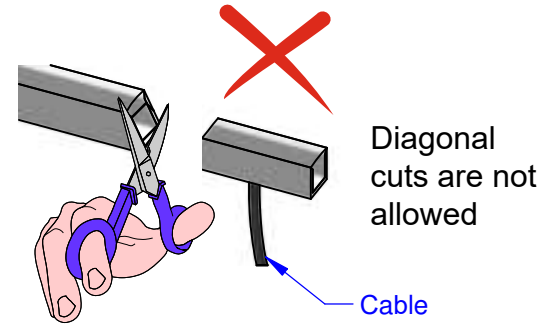
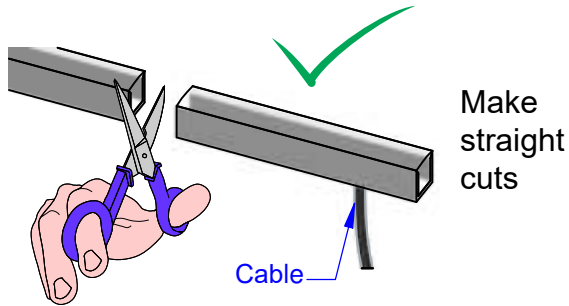
5



6

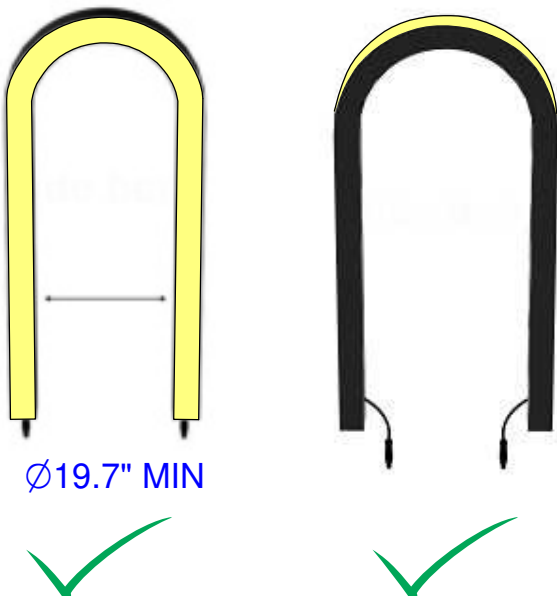


RUBBER 2D SIDE BEND

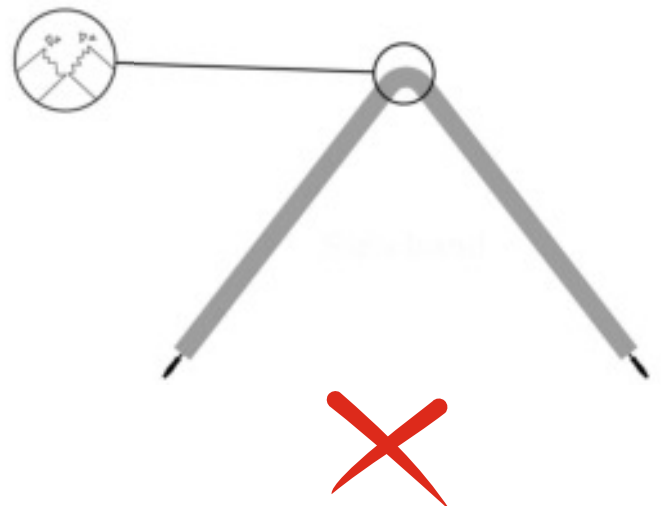


NOTE: RUBBER 2D SIDE BEND should not be bent up or down. Doing so will damage the strip and void the warranty.

Minimum bending radius 9.9"



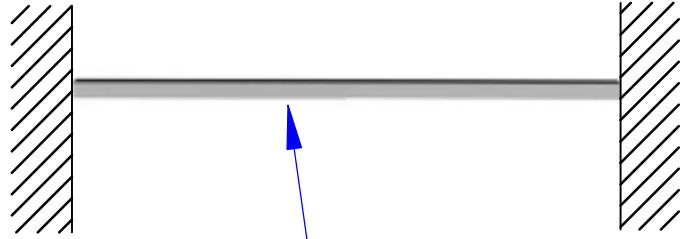
Do not bend the fixture in a radius tighter than 9.9"



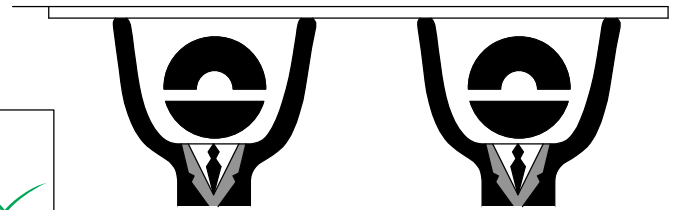
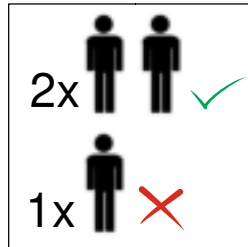
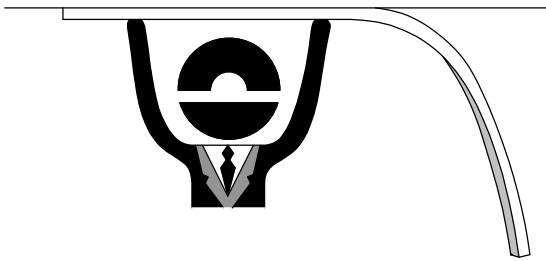
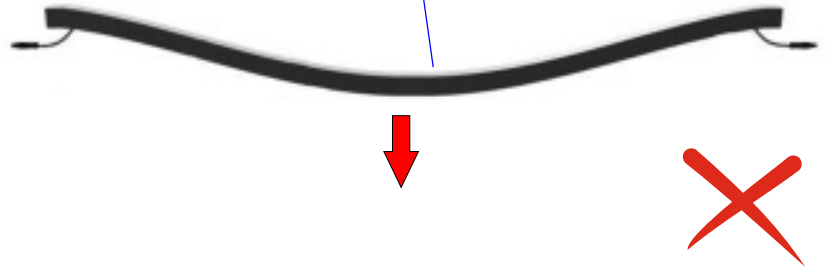
RUBBER 2D SIDE BEND



Do not twist the fixture at or close to the cable entry

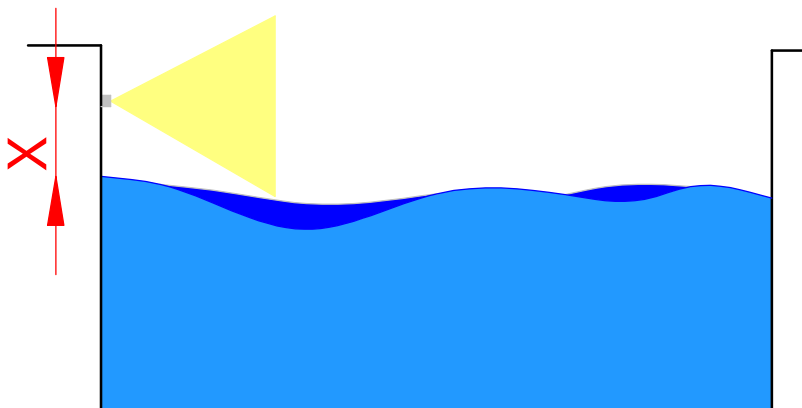


Do not suspend the fixture from its ends



When installing it near water, allow for a minimum of 20" above water level

$X > 20"$



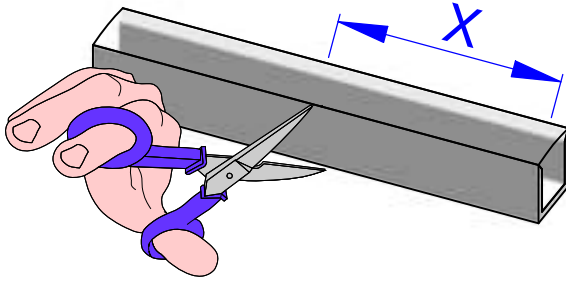


RUBBER 2D SIDE BEND

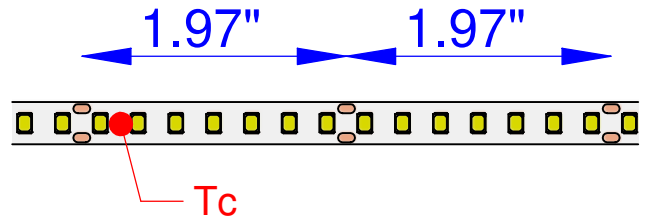


WARNING!!!

Read cutting instructions in the next page thoroughly before cutting the fixture
 You will end up with an unlit section of up to 1.97" if directions are not followed.



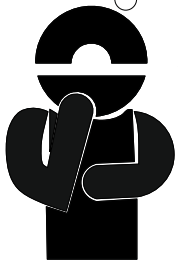
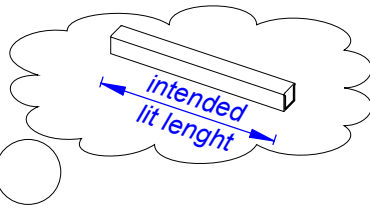
The strip has LED sections every 1.97" (50mm)



$X = 1.97" \times (1 / 2 / 3 / ..)$ ✓

$X < 1.97"$ ✗

1



MEASURING AND CUTTING INSTRUCTIONS: a) Add 1.97" (50mm) to the intended lit length, and mark the fixture at the bottom with a pen/marker, then do your first cut. b) Energize the fixture. After doing the first cut, you would end up with an unlit section of up to 1.97" (50mm), look at the back of the fixture and locate the last lit line, and make a second mark. c) De-energize the fixture, then make a third mark 0.25" towards the previously cut end, then do the second and final cut there. d) Energize and test again.

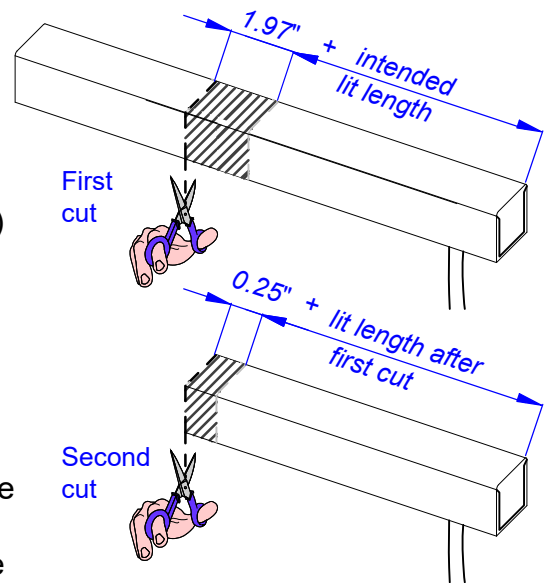
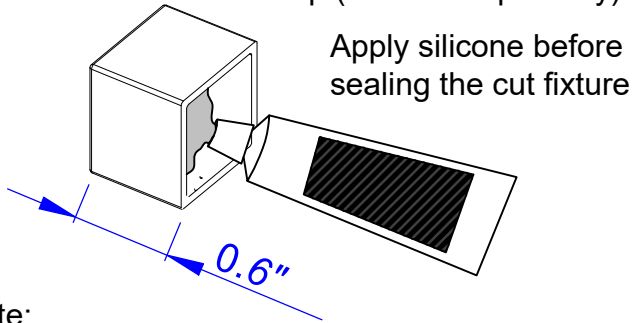


Image above for illustration purposes only. Cutting point vary per fixture



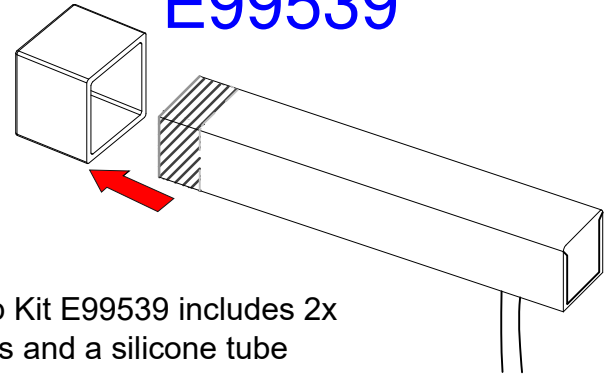
RUBBER 2D SIDE BEND

2 End cap (ordered separately)

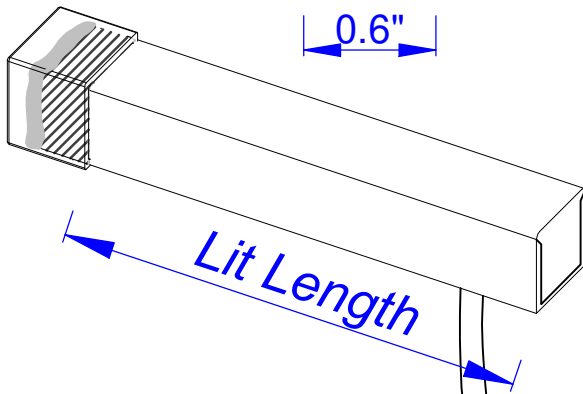
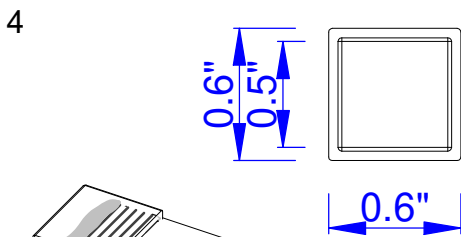


Note:
If using a mounting profile, the profile needs to be cut 0.6" shorter (the end cap will not fit in the profile)

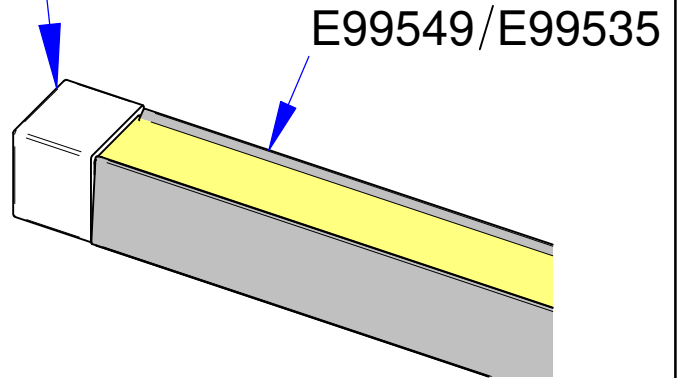
3 E99539



Cap Kit E99539 includes 2x caps and a silicone tube

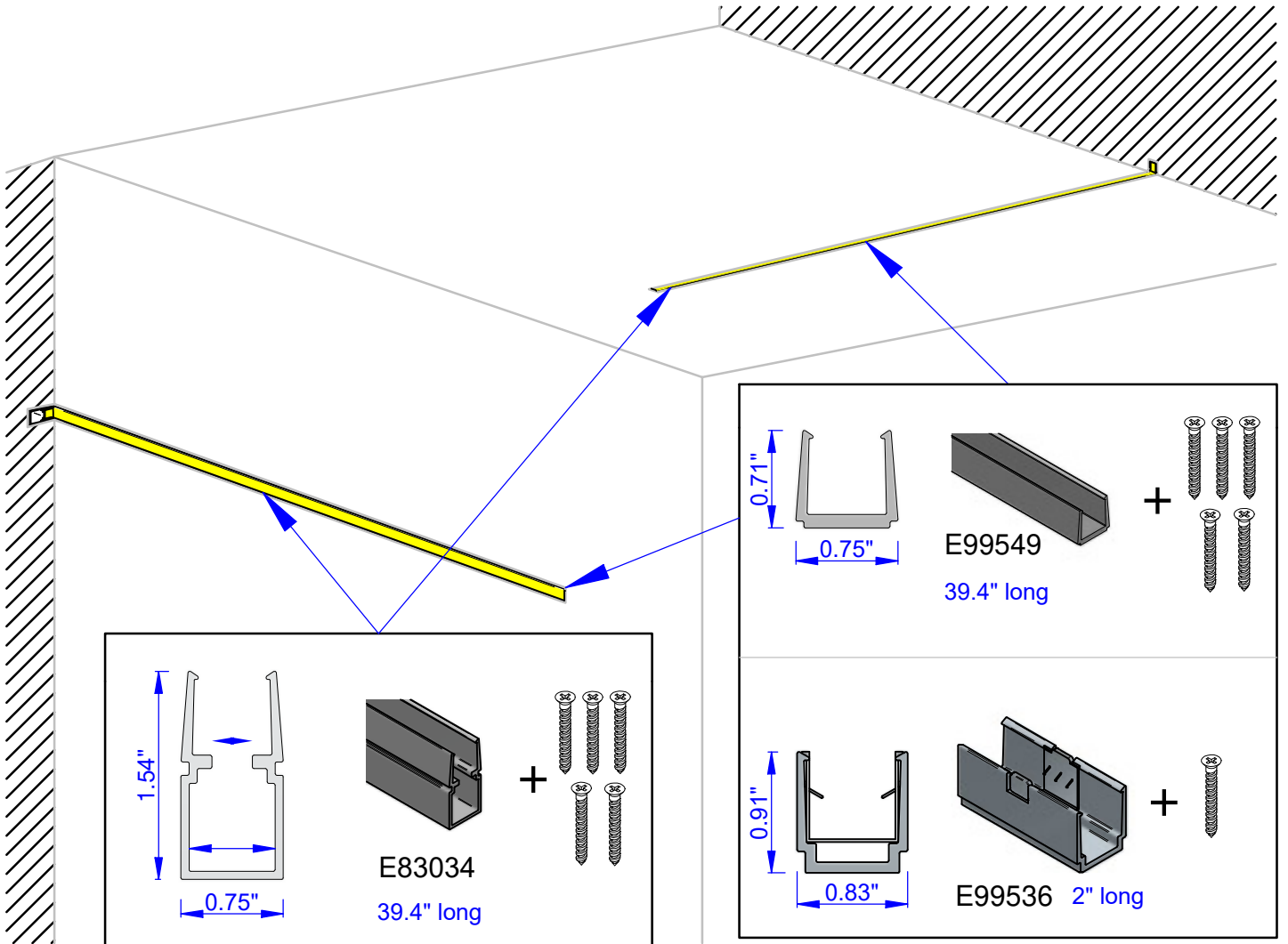
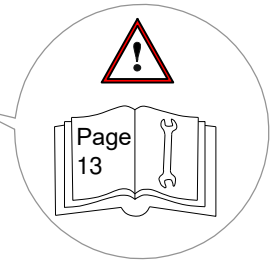
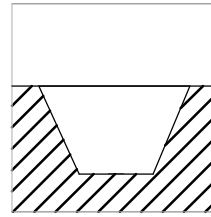
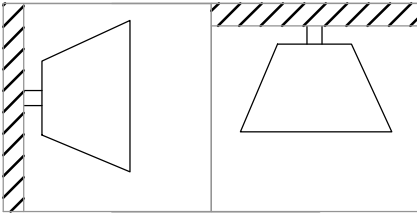


5 E99539





RUBBER 2D SIDE BEND



E83034
39.4" long

E99549
39.4" long

E99536 2" long

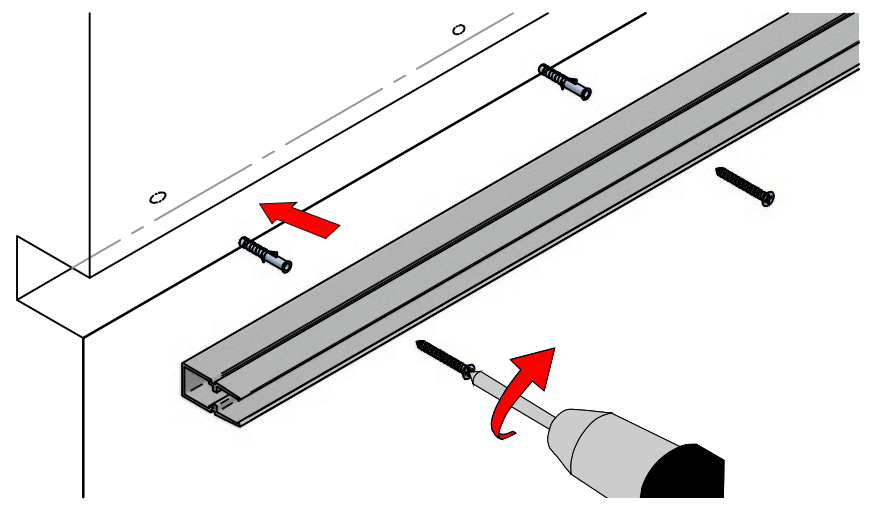
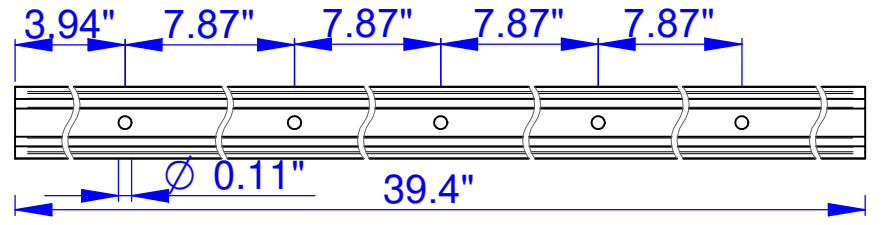
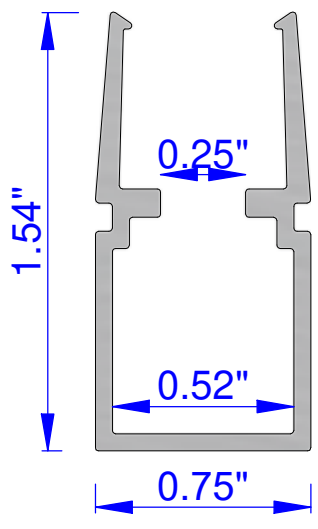
E99537 2" long

RUBBER 2D SIDE BEND

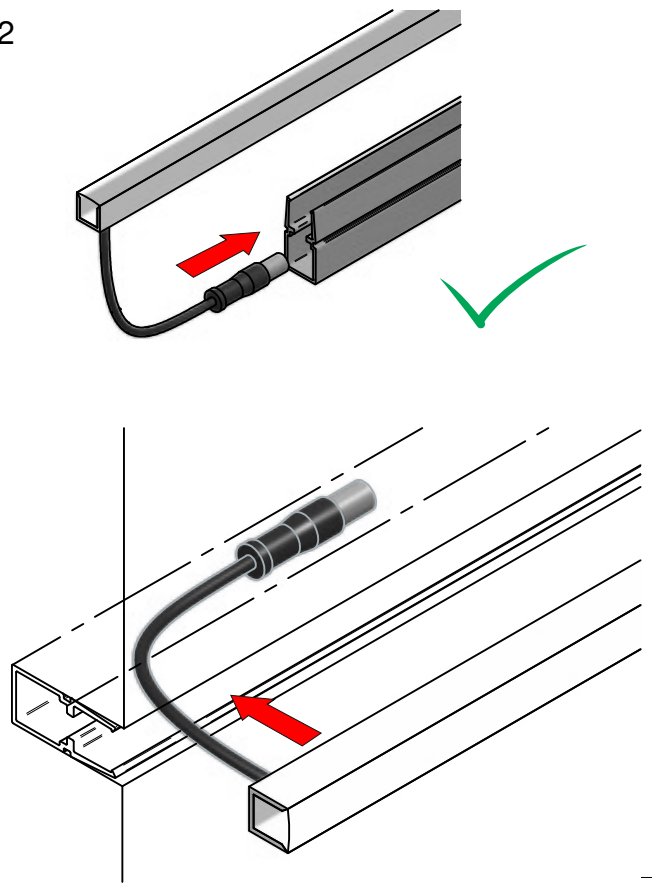


1

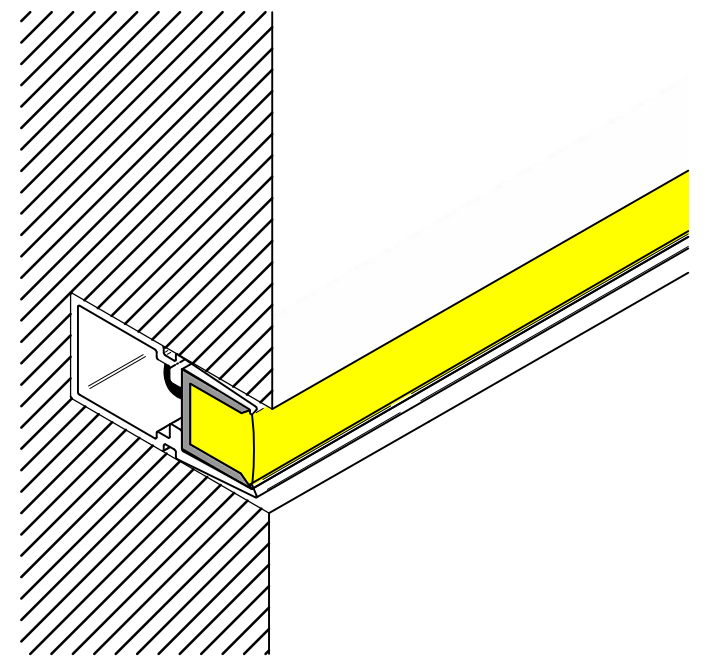
E83034



2



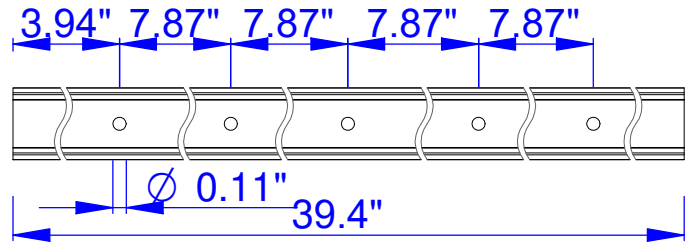
3



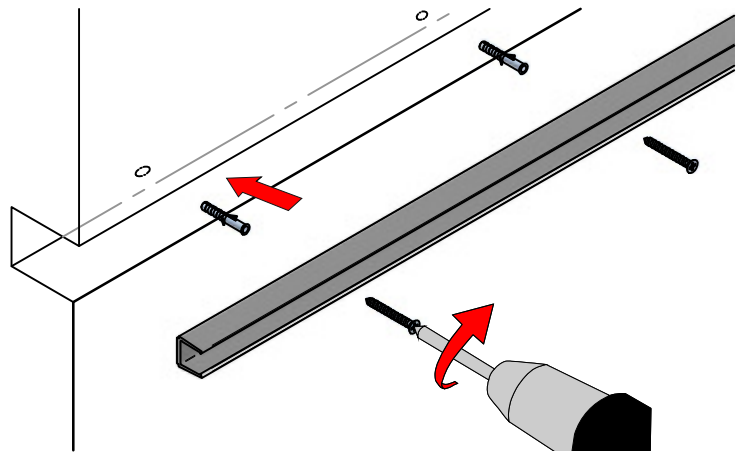
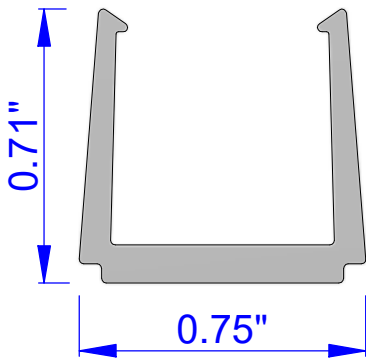
RUBBER 2D SIDE BEND



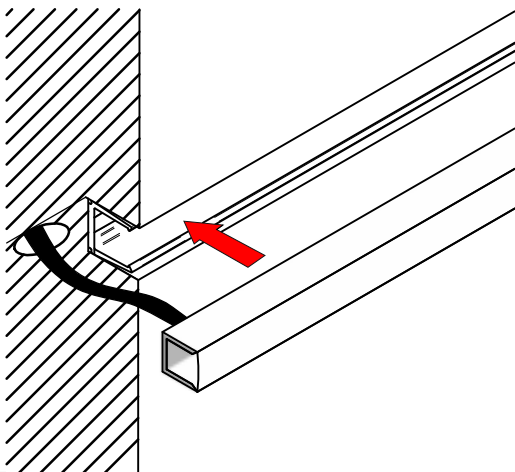
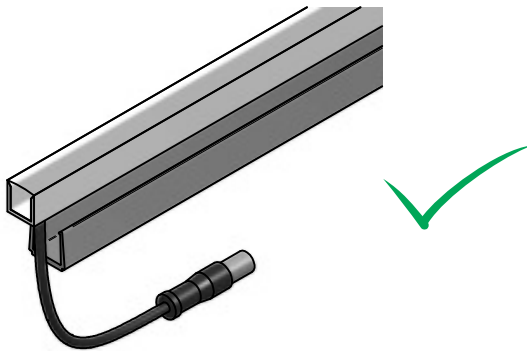
1



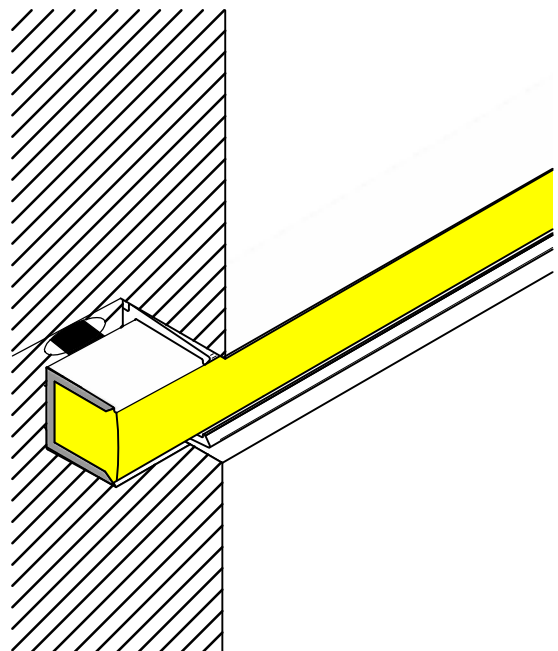
E99549



2



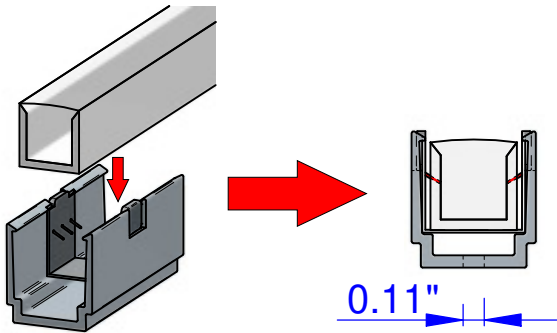
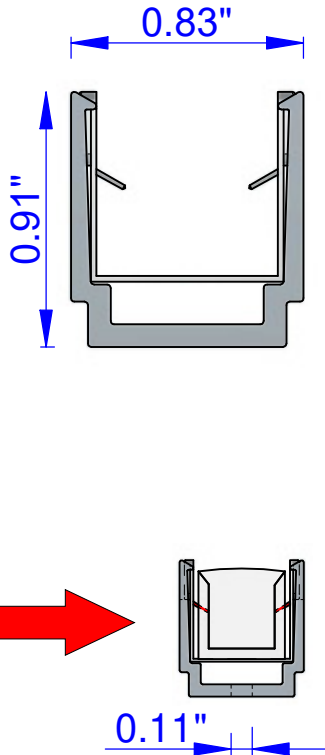
3



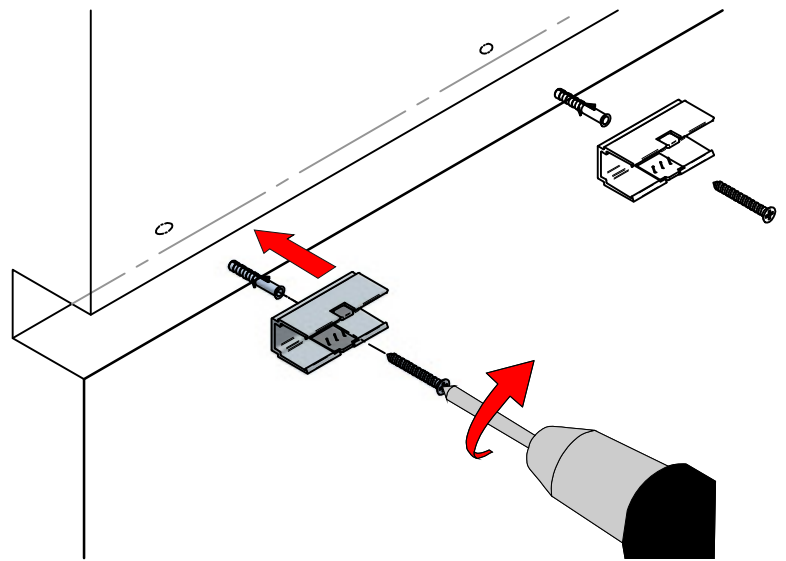
RUBBER 2D SIDE BEND



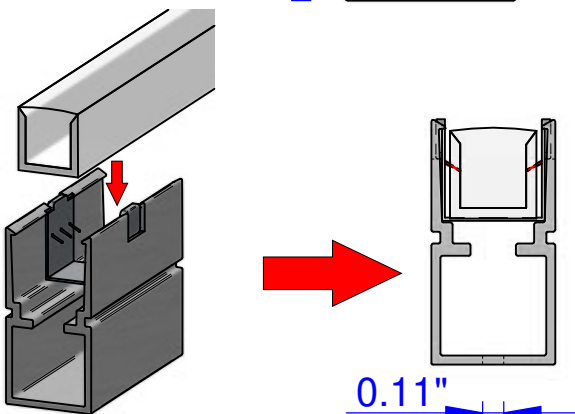
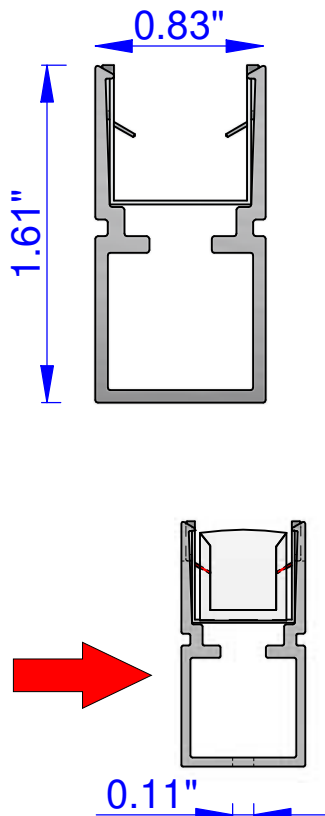
E99536
2" long



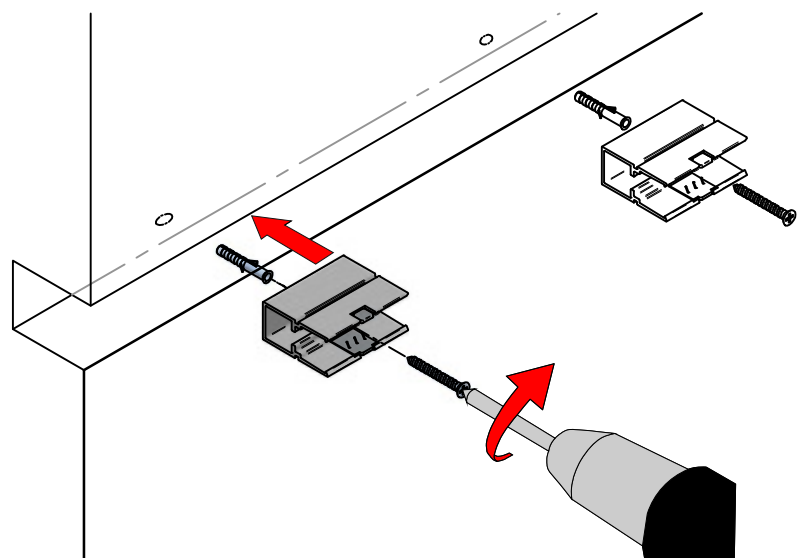
Suggested spacing between clips: 4" o.c.



E99537
2" long



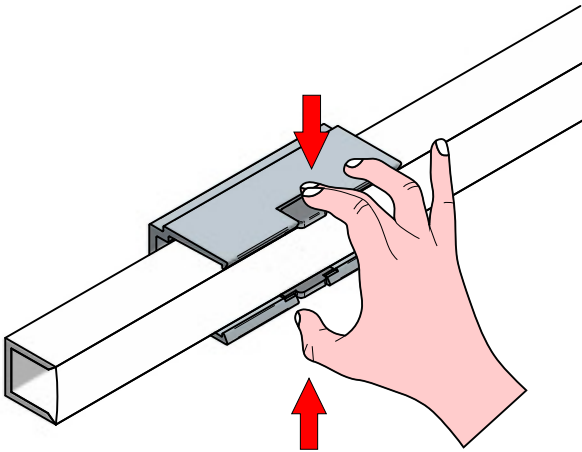
Suggested spacing between clips: 4" o.c.



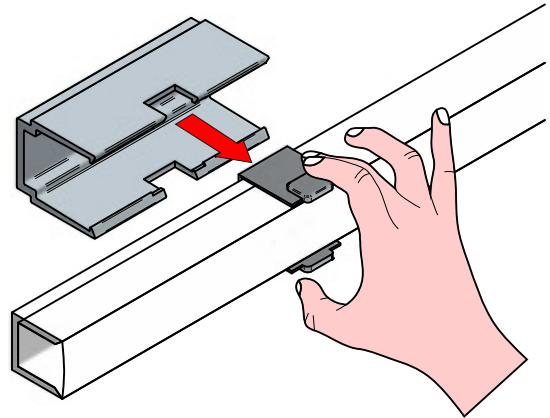


FIXTURE REMOVAL

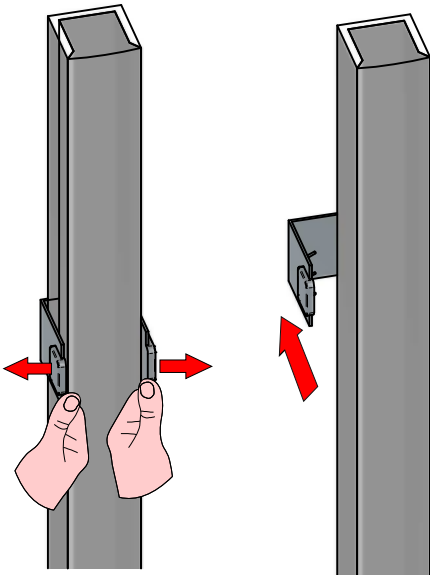
1



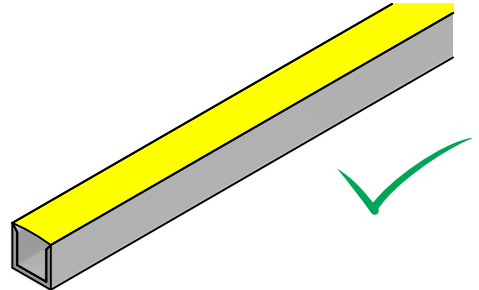
2



3 REPOSITION CLIP AND REINSTALL
FIXTURE

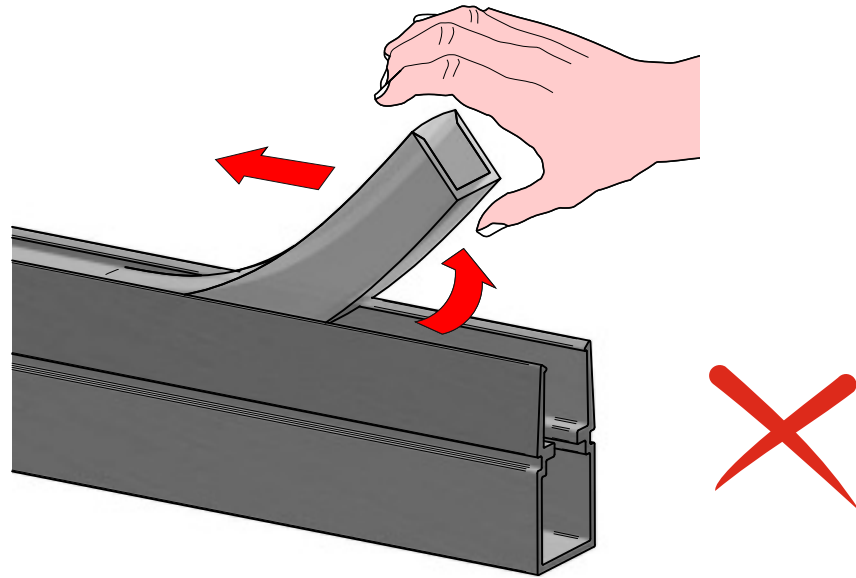


4

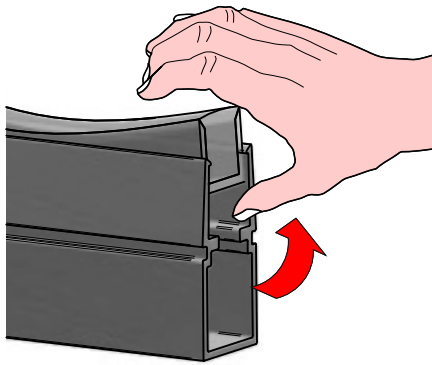


RUBBER 2D SIDE BEND

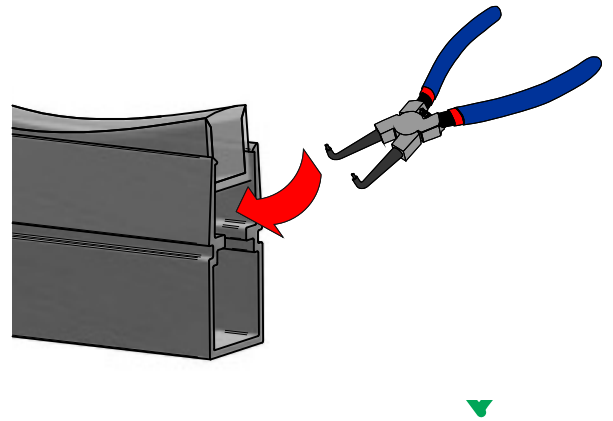
1



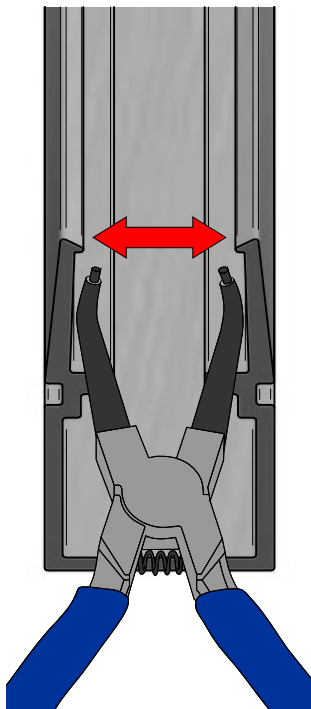
2



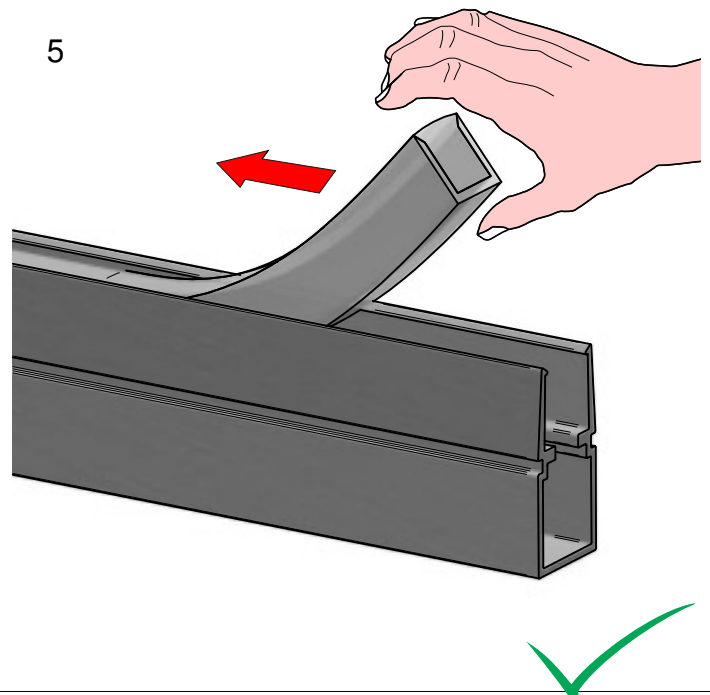
3



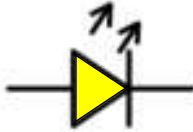
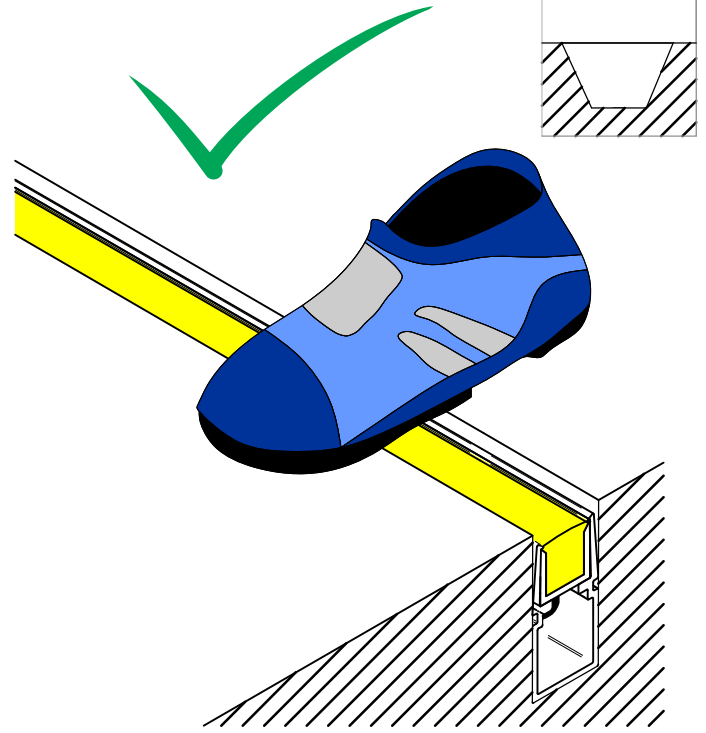
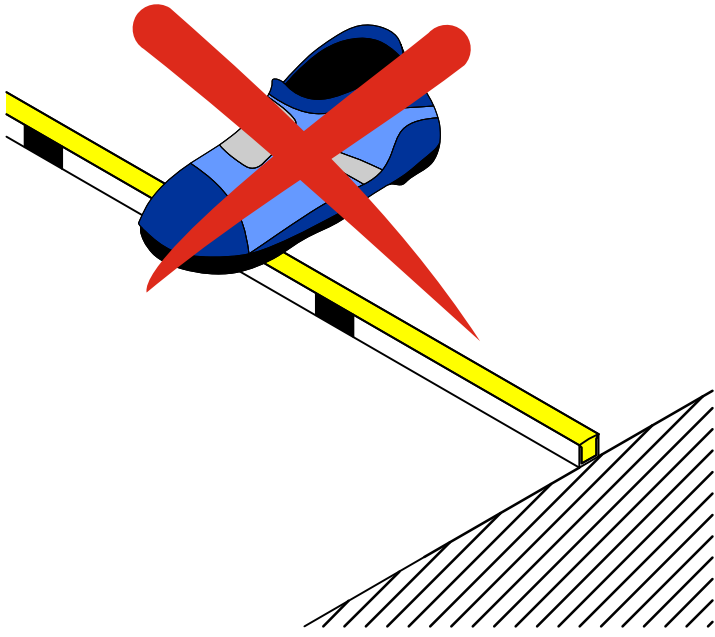
4




5



RUBBER 2D SIDE BEND

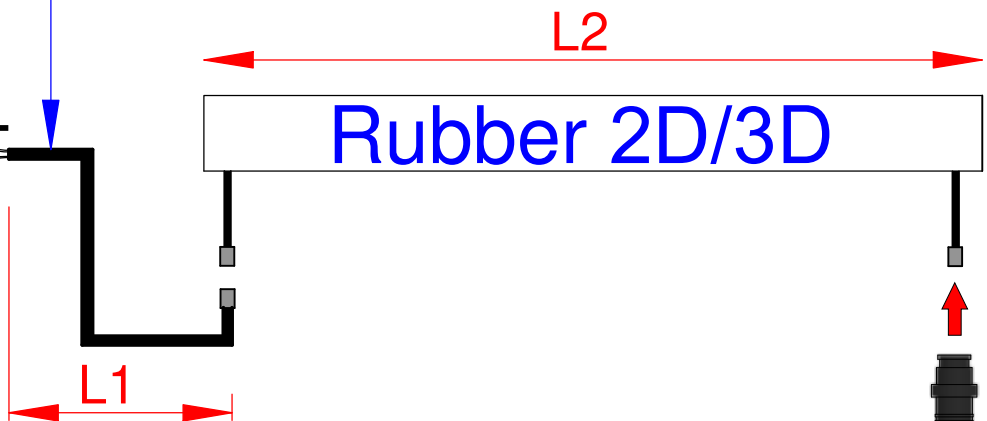


A

 #22AWG → L1 = 78.7 inch MAX / L2 = 25.2 feet MAX

24VDC
CLASS TWO

Feed cable color scheme:
(+) White conductor
(-) Clear conductor

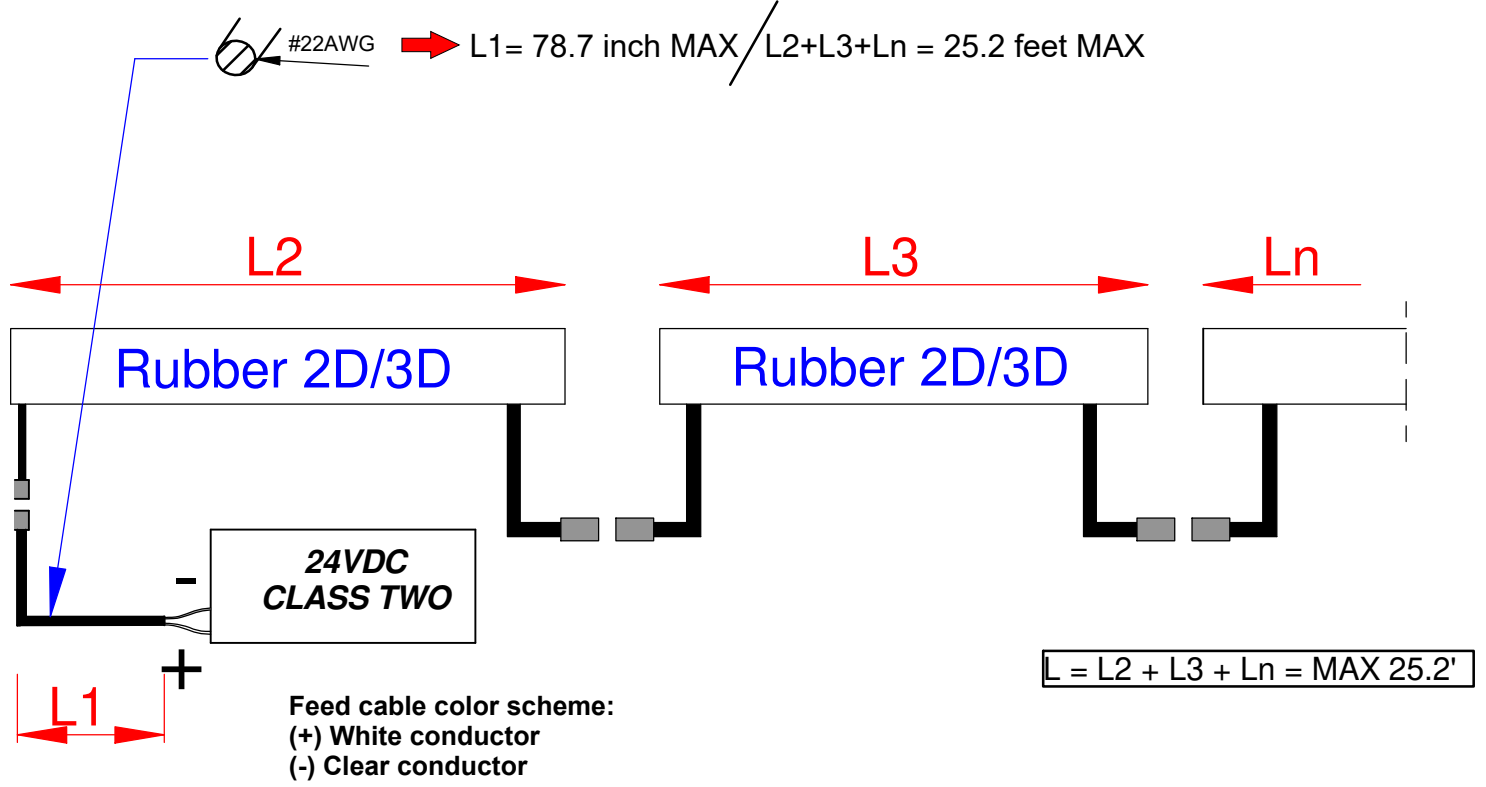


Male end cap



RUBBER 2D SIDE BEND

B





RUBBER 2D SIDE BEND



Rubber 2D /3D



E99688

Extension 78.7" 2x#22AWG + 2 pole female connector (Ordered separately)

E99689

Extension 78.7" 2x#22AWG + 2 pole male connector (Ordered separately)