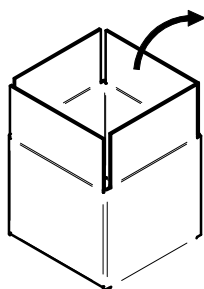


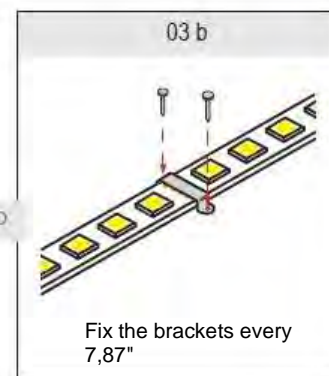
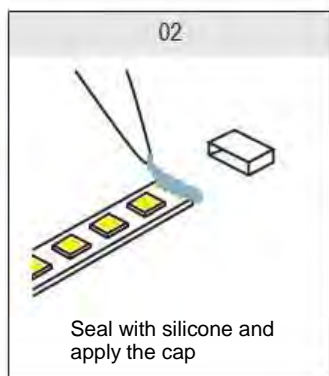
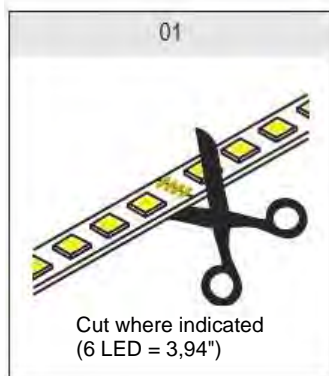
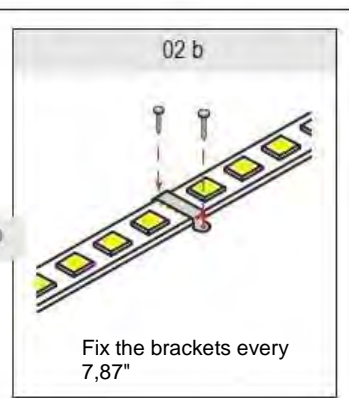
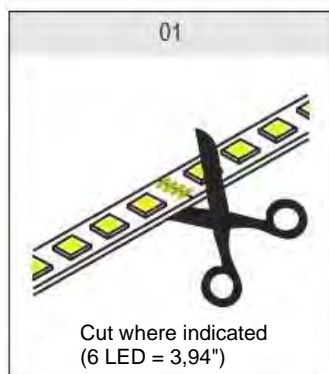
RIBBON // DROPPER // SILICON C**MOUNTING SOLUTION**

The fixing kit allows the installation of strip on every surface: install the brackets on the cut parts of the strip, be careful not to cover the LED (one bracket every 7,87")

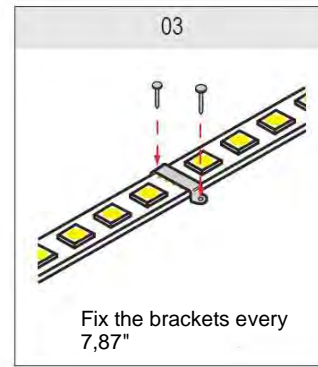
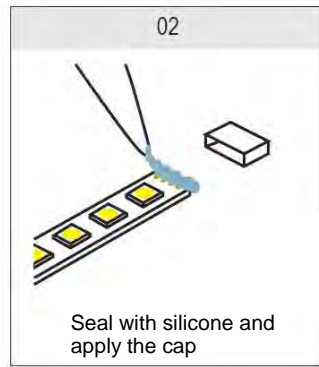
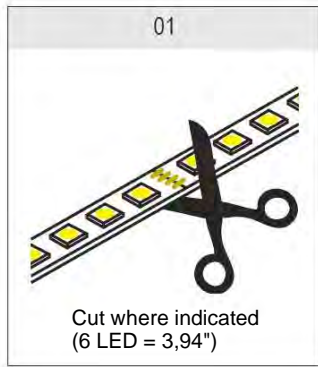
We recommend use of aluminum profiles i-Led for a greater heat dissipation

REEL CUTTING

Is possible to cut the strip every 3,94", along the dashed lines designed on the strip

DROPPER INSTALLATION**RIBBON INSTALLATION**

SILICON C INSTALLATION



ACCESSORY: FIXING AND CLOSING KIT

Fixing kit composed by: silicone, 5 brackets, 10 stainless steel screws, 10 dowels and 2 end caps.
Cod. E89223

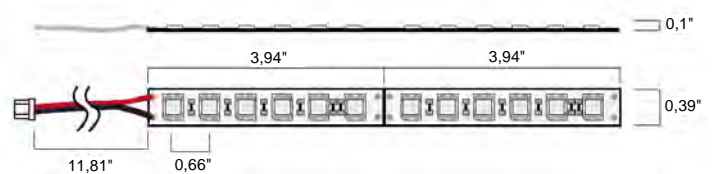
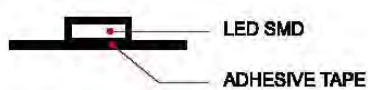


RIBBON BASIC	
REEL N° LEDS	300 (18leds/ft)
REEL	196,9"x0,39"x0,1"
VOLTAGE	22-24VDC
POWER	24W (1,46W/ft)
CURRENT	1A (0,06A/ft)
TEMPERATURE	-20 / +40 °C
LASTING	30.000h
MAX CONTINUOUS LENGHT	49ft
CRI (COLOR RENDERING INDEX)	70
VOLTAGE DROP 16,40ft	0,5V
VOLTAGE DROP 32,80ft	1,5V
VOLTAGE DROP 49,21ft	3V

The voltage drop index includes 11,81" of cable (provided)

RIBBON HI-FLUX	
REEL N° LEDS	300 (18leds/ft)
REEL	196,9"x0,39"x0,1"
VOLTAGE	22-24VDC
POWER	72W (4,39W/ft)
CURRENT	3A (0,18A/ft)
TEMPERATURE	-20 / +40 °C
LASTING	30.000h
MAX CONTINUOUS LENGHT	16,40ft
CRI (COLOR RENDERING INDEX)	70
VOLTAGE DROP 3,28ft	0,3V
VOLTAGE DROP 6,56ft	0,7V
VOLTAGE DROP 9,84ft	1,4V
VOLTAGE DROP 13,12ft	2,2V
VOLTAGE DROP 16,40ft	3,3V

The voltage drop index includes 11,81" of cable (provided)

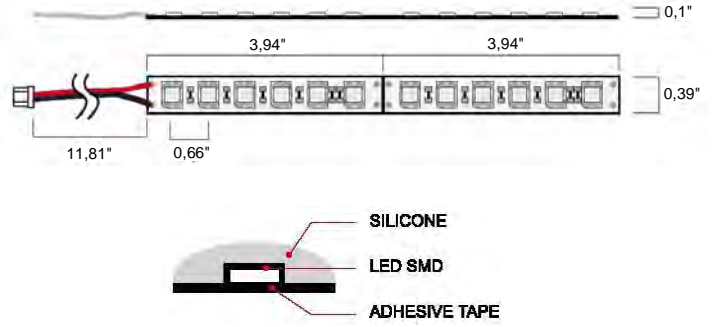
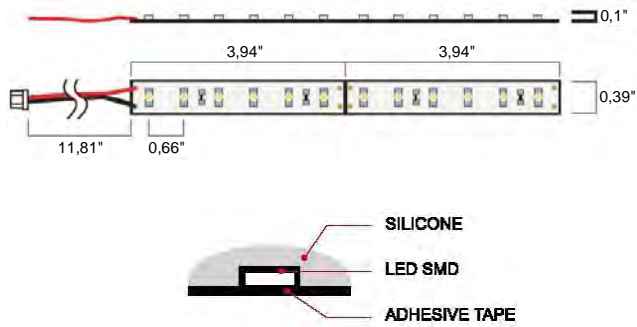


DROPPER BASIC	
REEL N° LEDS	300 (18leds/ft)
REEL	196,9"x0,39"x0,1"
VOLTAGE	22-24VDC
POWER	24W (1,46W/ft)
CURRENT	1A (0,06A/ft)
TEMPERATURE	-20 / +40 °C
LASTING	30.000h
MAX CONTINUOUS LENGHT	49ft
CRI (COLOR RENDERING INDEX)	70
VOLTAGE DROP 16,40ft	0,5V
VOLTAGE DROP 32,80ft	1,5V
VOLTAGE DROP 49,21ft	3V

The voltage drop index includes 11,81" of cable (provided)

DROPPER HI-FLUX	
REEL N° LEDS	300 (18leds/ft)
REEL	196,9"x0,39"x0,1"
VOLTAGE	22-24VDC
POWER	72W (4,39W/ft)
CURRENT	3A (0,6A/ft)
TEMPERATURE	-20 / +40 °C
LASTING	30.000h
MAX CONTINUOUS LENGHT	16,40ft
CRI (COLOR RENDERING INDEX)	70
VOLTAGE DROP 3,28ft	0,3V
VOLTAGE DROP 6,56ft	0,7V
VOLTAGE DROP 9,84ft	1,4V
VOLTAGE DROP 13,12ft	2,2V
VOLTAGE DROP 16,40ft	3,3V

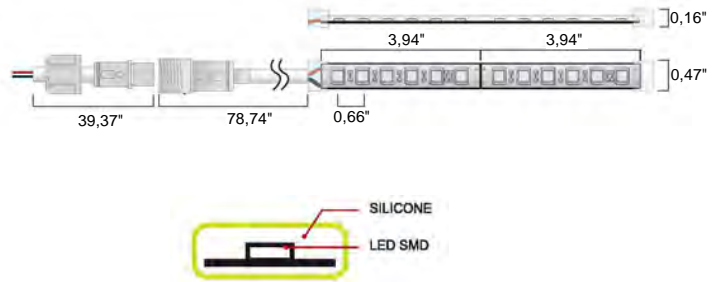
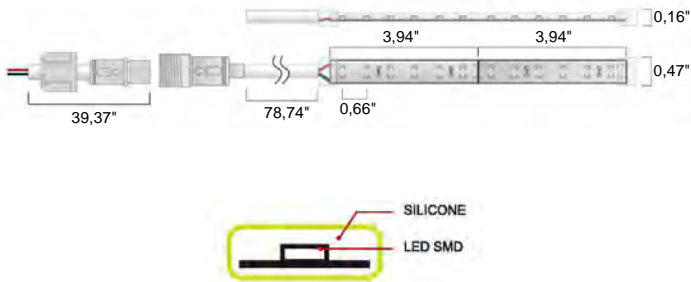
The voltage drop index includes 11,81" of cable (provided)



SILICONE C BASIC	
REEL N° LEDS	300 (18leds/ft)
REEL	196,9"x0,47"x0,16"
VOLTAGE	22-24VDC
POWER	24W (1,46W/ft)
CURRENT	1A (0,06A/ft)
TEMPERATURE	-20 / +40 °C
LASTING	30.000h
MAX CONTINUOUS LENGHT	49ft
CRI (COLOR RENDERING INDEX)	70
VOLTAGE DROP 16,40ft	0,6V
VOLTAGE DROP 32,80ft	1,7V
VOLTAGE DROP 49,21ft	3,3V

The voltage drop index includes 78,74" of cable (provided)

SILICONE C HI-FLUX	
REEL N° LEDS	300 (18leds/ft)
REEL	196,9"x0,47"x0,16"
VOLTAGE	22-24VDC
POWER	72W (4,39W/ft)
CURRENT	3A (0,18A/ft)
TEMPERATURE	-20 / +40 °C
LASTING	30.000h
MAX CONTINUOUS LENGHT	16,4ft
CRI (COLOR RENDERING INDEX)	70
VOLTAGE DROP 3,28ft	0,3V
VOLTAGE DROP 6,56ft	0,7V
VOLTAGE DROP 9,84ft	1,4V
VOLTAGE DROP 13,12ft	2,2V
VOLTAGE DROP 16,40ft	3,3V



THIS PRODUCT MUST BE INSTALLED IN ACCORDANCE WITH THE APPLICABLE INSTALLATION CODE BY A PERSON FAMILIAR WITH THE CONSTRUCTION AND OPERATION OF THE PRODUCT AND THE HAZARDS INVOLVED

MOUNTING INSTRUCTIONS

READ ALL OF THESE INSTRUCTIONS BEFORE INSTALLING FIXTURES

- Keep all of the instructions for future reference
- Turn off power before installing fixture
- Installation is to be performed by a qualified electrician only
- All installations must conform to the National Electrical Code as well as all local jurisdictional codes and regulations
- Any modification of the luminaire will void any and all written or implied warranties
- The manufacture accepts no responsibility for damage to persons or property arising through improper use or installation

INSTALLATION SEQUENCE

- Mount remote driver in accessible well ventilated space
- Ensure power is off before connecting driver to line voltage
- Cut the strip to the desired length
- Remove the protective film behind the strip and fix it on a smooth surface
- Apply the brackets and the end cap for fixing and closing the strip
- Cut the secondary cable for remove the connector [only for Ribbon and Dropper]
- Connect secondary cable without the connector on the power supply [only for Ribbon and Dropper]
- Connect the cable with male connector (accessory) to the female connector of strip and wire on the power supply [only Silicone C]
- **WARNING** - Be sure secondary wiring is connected to driver BEFORE energizing to avoid LED failure
- Energize