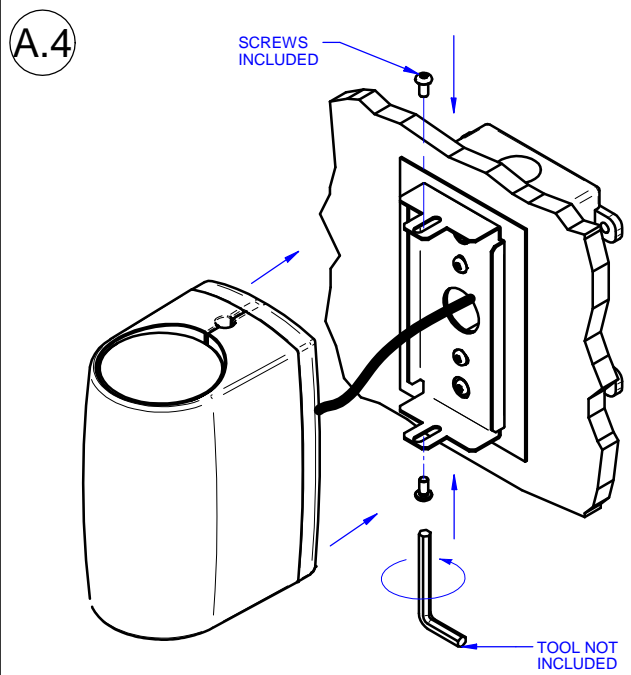
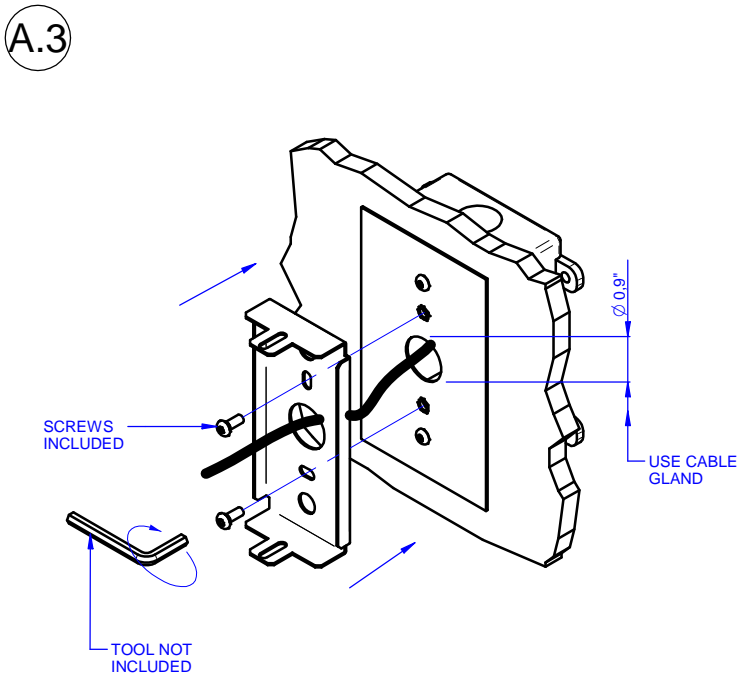
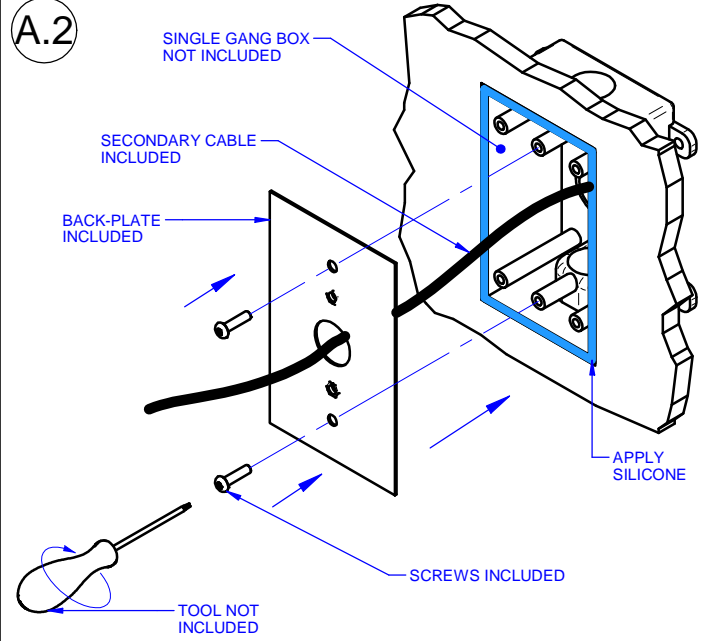
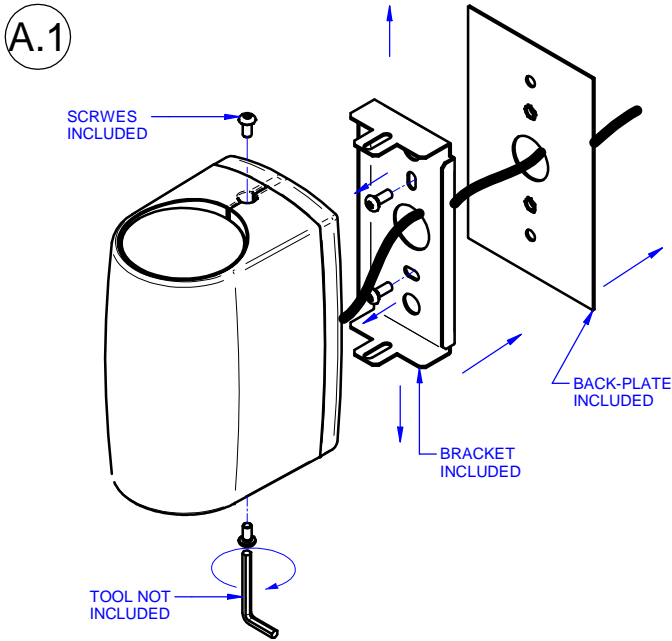
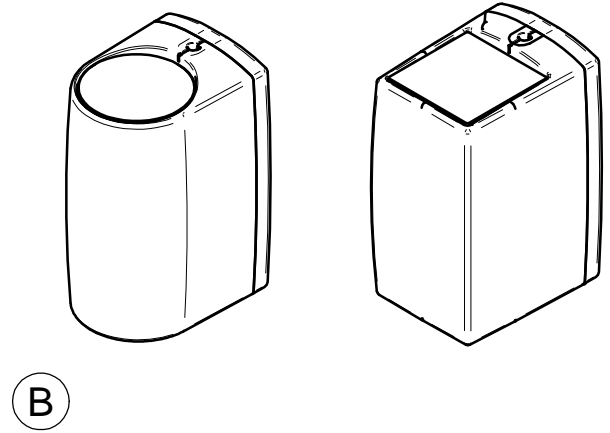
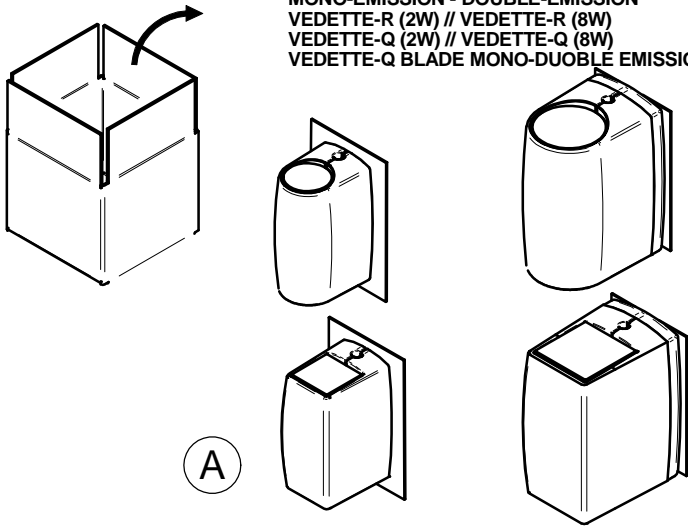


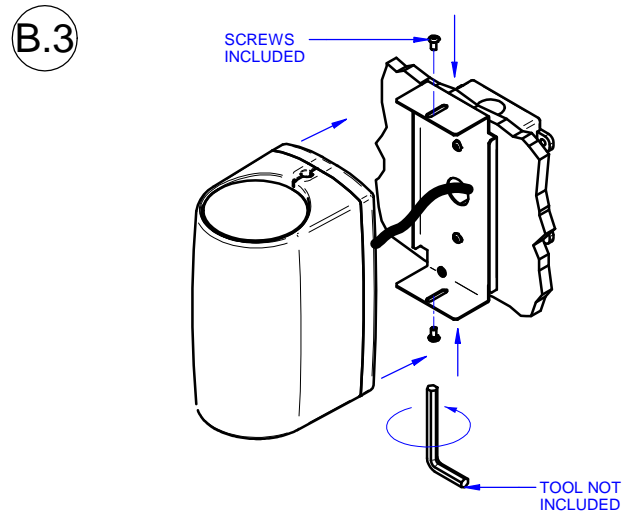
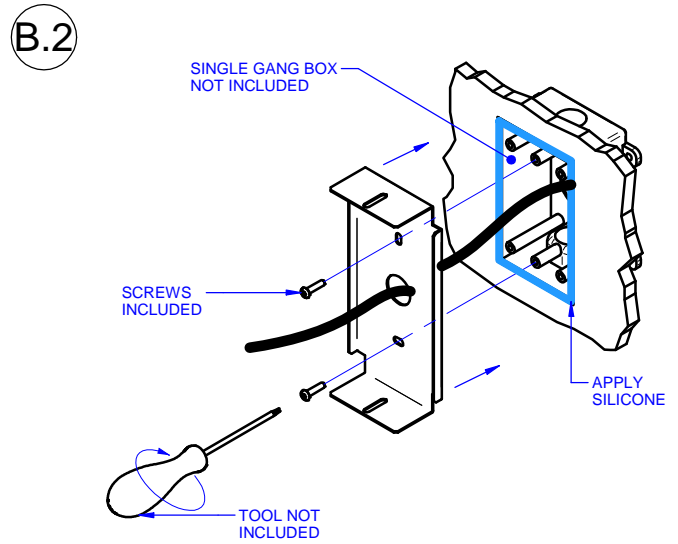
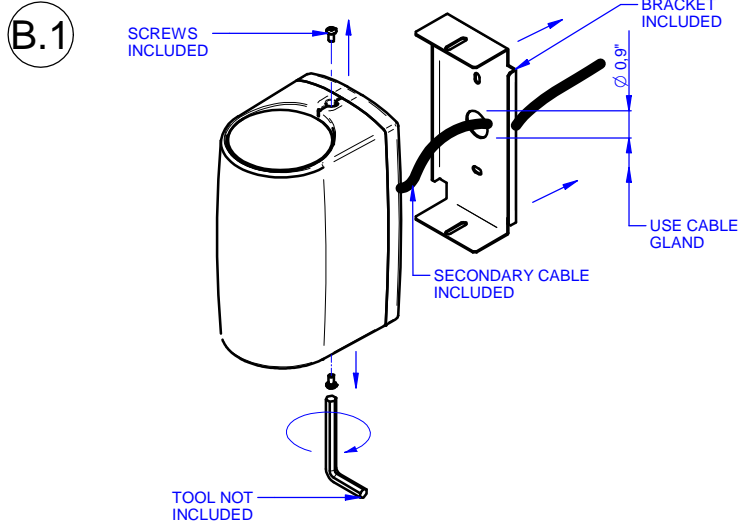


VEDETTE-R//VEDETTE-Q VEDETTE-Q BLADE

MONO-EMISSION - DOUBLE-EMISSION
 VEDETTE-R (2W) // VEDETTE-R (8W)
 VEDETTE-Q (2W) // VEDETTE-Q (8W)
 VEDETTE-Q BLADE MONO-DUOBLE EMISSION

MONO-EMISSION - DOUBLE-EMISSION
 VEDETTE-R (20W) // VEDETTE-Q (20W)





THIS PRODUCT MUST BE INSTALLED IN ACCORDANCE WITH THE APPLICABLE INSTALLATION CODE BY A PERSON FAMILIAR WITH THE CONSTRUCTION AND OPERATION OF THE PRODUCT AND THE HAZARDS INVOLVED

MOUNTING INSTRUCTIONS

READ ALL OF THESE INSTRUCTIONS BEFORE INSTALLING FIXTURES

- Keep all of the instructions for future reference
- Turn off power before installing fixture
- Installation is to be performed by a qualified electrician only
- All installations must conform to the National Electrical Code as well as all local jurisdictional codes and regulations
- Any modification of the luminaire will void any and all written or implied warranties
- The manufacture accepts no responsibility for damage to persons or property arising through improper use or installation

INSTALLATION SEQUENCE

- Mount remote driver in accessible well ventilated space
- Ensure power is off before connecting driver to line voltage
- Connect secondary wiring to fixture wiring on the single gang box
- Remove the bracket from the Vedette [B.1] and the back-plate [A.1]
- Attach the back-plate on the single gang box [A.2] or the bracket [B.2] with the screws
- Attach the bracket on the back-plate with the screws [A.3]
- Attach the Vedette on the bracket with the screws [A.4 - B.3]
- **WARNING** - Be sure secondary wiring is connected to driver **BEFORE** energizing to avoid LED failure
- Energize

<i>Colours Secondary Cable</i>	<i>Pole</i>
Wire white	+
Wire black	-
Wire green	Ground