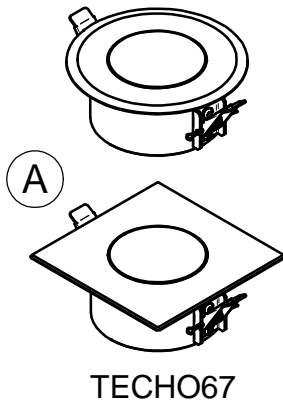
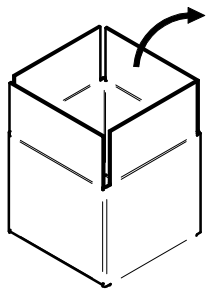
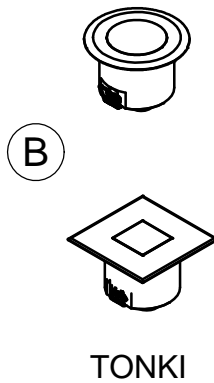




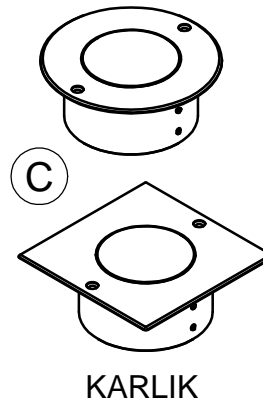
TECHO67 // TONKI KARLIK // ORMA



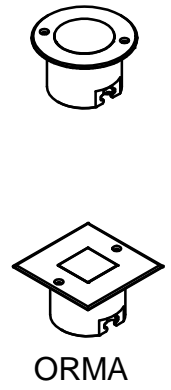
TECHO67



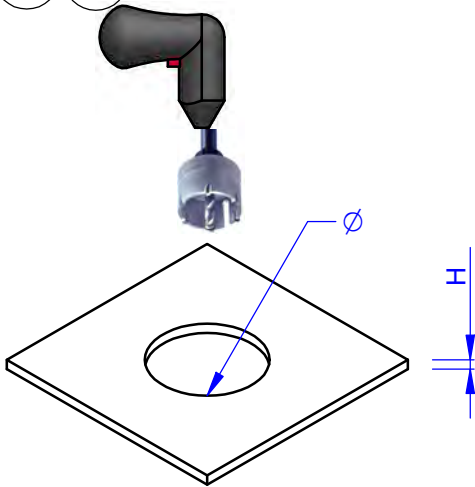
TONKI



KARLIK

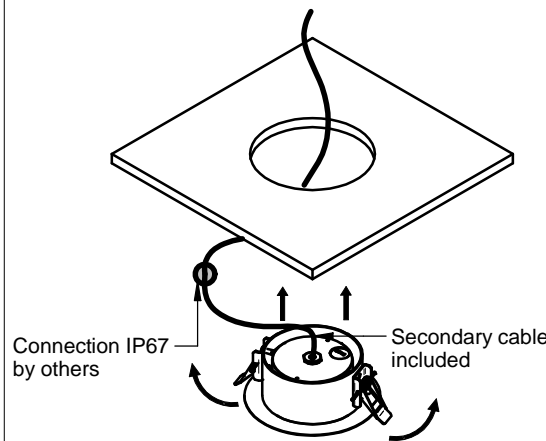


A.1 B.1 DOWNLIGHTS



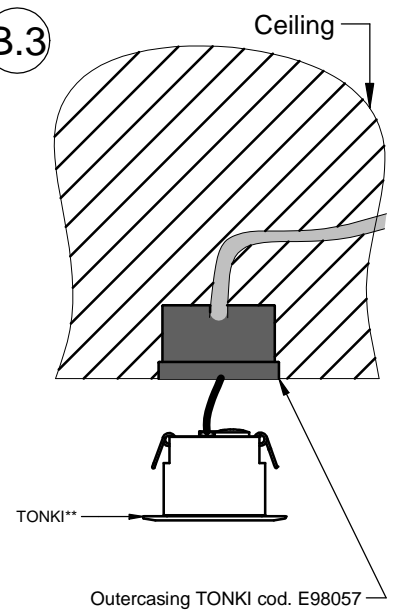
ARTICLE	Ø (")	H min (")	H max (")
TECHO67	4,33	0,2	0,79
TONKI*	2	0,2	0,79

A.2 B.2



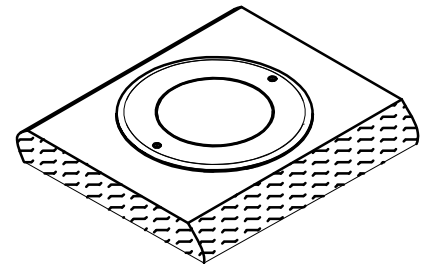
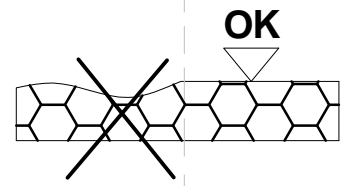
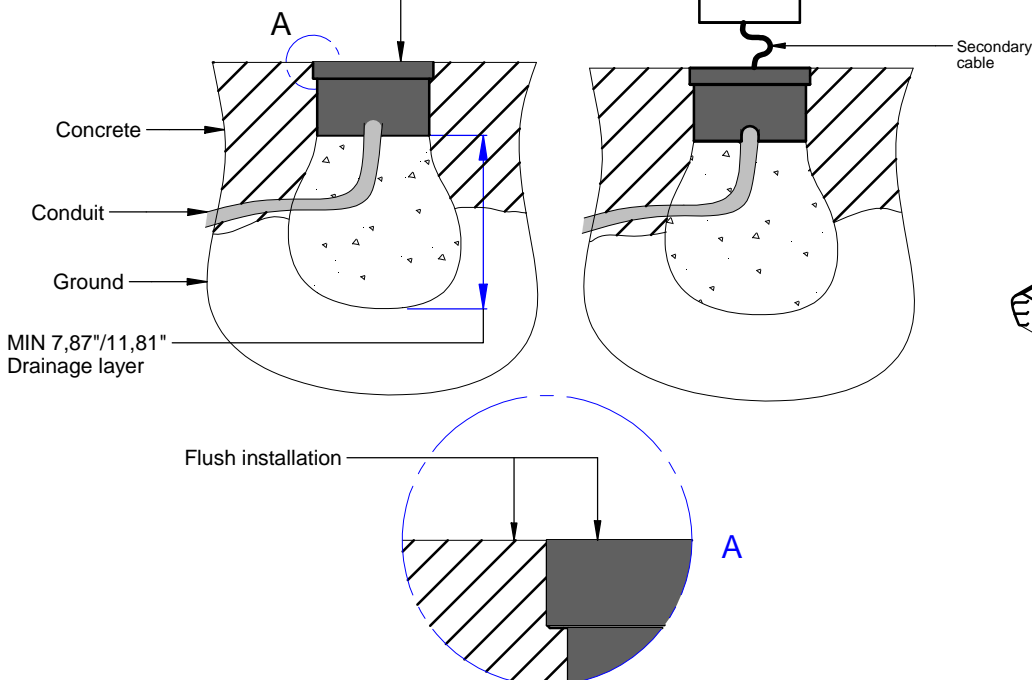
* TONKI with long springs accessory
 **TONKI with short springs accessory

B.3

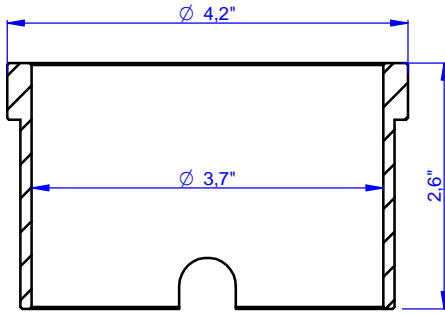


C.1 UPLIGHTS

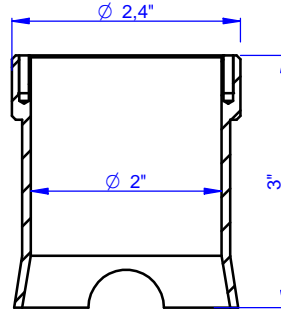
Outercasing KARLIK cod.E98399
 Outercasing ORMA cod.E98057



Outercasing
KARLIK cod.E98399



Outercasing
TONKI / ORMA
cod.E98057



THIS PRODUCT MUST BE INSTALLED IN ACCORDANCE WITH THE APPLICABLE INSTALLATION CODE BY A PERSON FAMILIAR WITH THE CONSTRUCTION AND OPERATION OF THE PRODUCT AND THE HAZARDS INVOLVED

MOUNTING INSTRUCTIONS

READ ALL OF THESE INSTRUCTIONS BEFORE INSTALLING FIXTURES

- Keep all of the instructions for future reference
- Turn off power before installing fixture
- Installation is to be performed by a qualified electrician only
- All installations must conform to the National Electrical Code as well as all local jurisdictional codes and regulations
- Any modification of the luminaire will void any and all written or implied warranties
- The manufacture accepts no responsibility for damage to persons or property arising through improper use or installation

INSTALLATION SEQUENCE

- Mount remote driver in accessible well ventilated space
- Ensure power is off before connecting driver to line voltage
- Cut correct size opening in ceiling [A.1/B.1]
- Connect secondary wiring to fixture wiring
- Insert the article into the outercasing or ceiling [A.2/B.2/B.3]
- Insert the article into the outercasing, attach the fixture on the outercasing with the screws [C.1]
- **WARNING** - Be sure secondary wiring is connected to driver BEFORE energizing to avoid LED failure
- Energize

Colours Secondary Cable	Pole
Wire black number 1	+
Wire black number 2	-
Wire white	+
Wire black	-