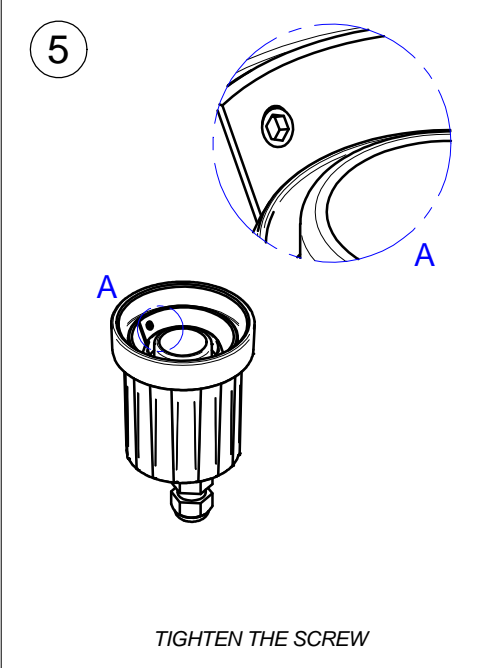
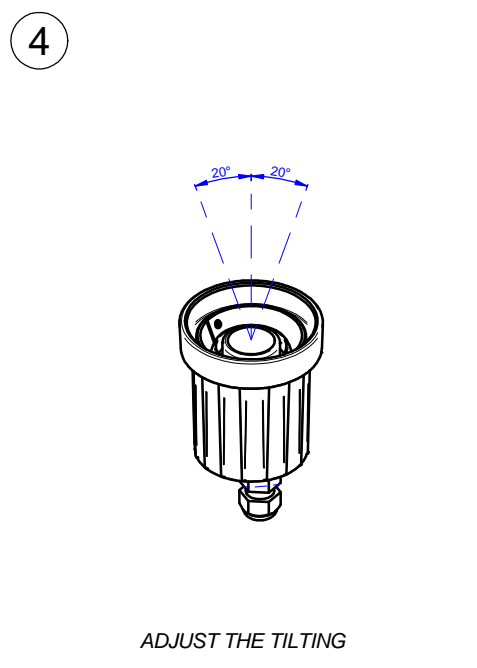
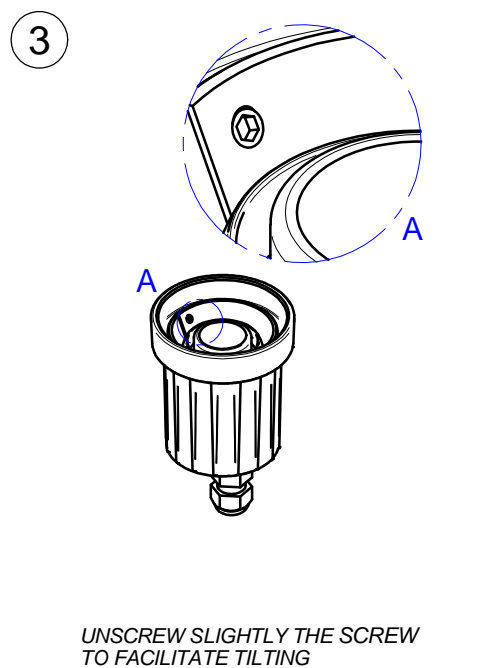
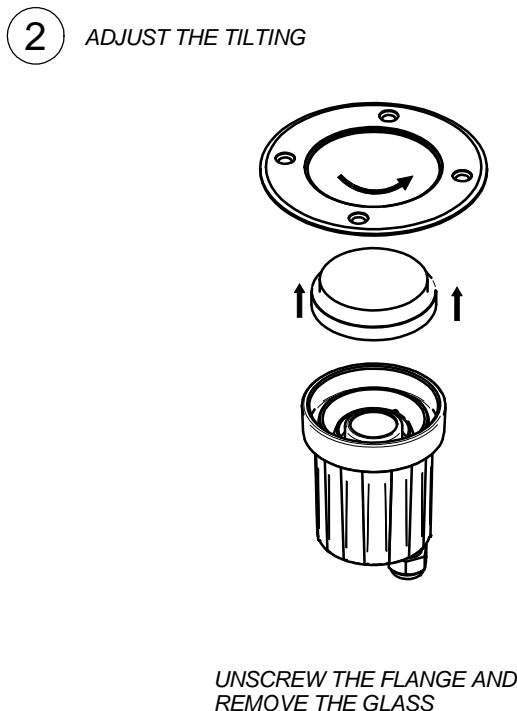
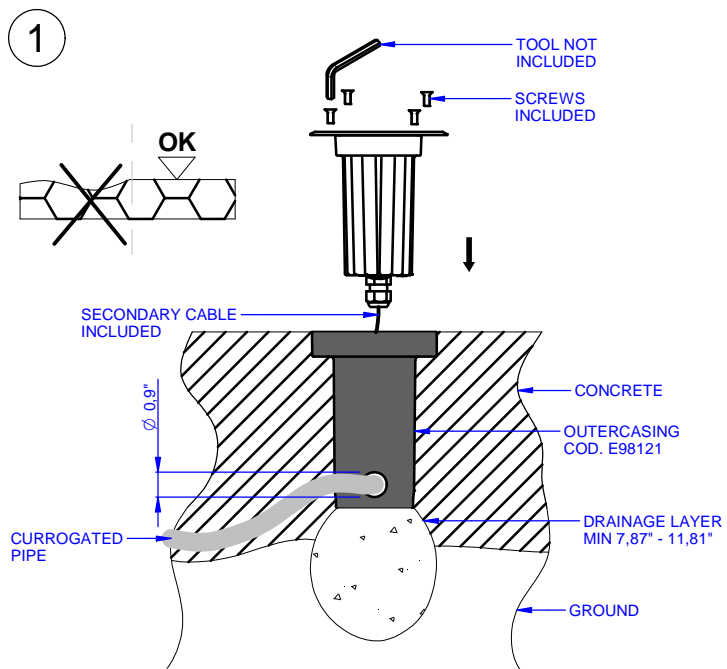
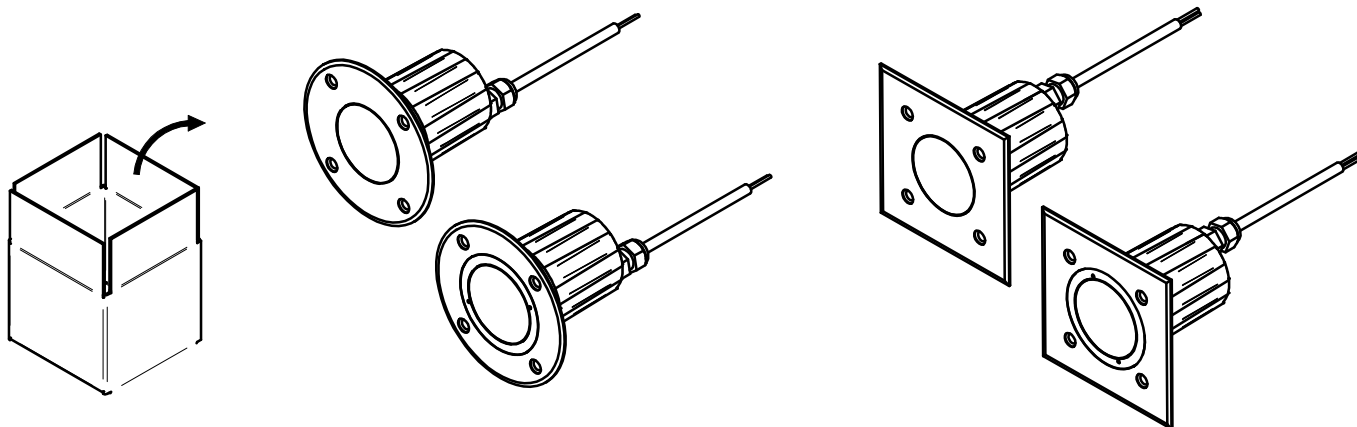
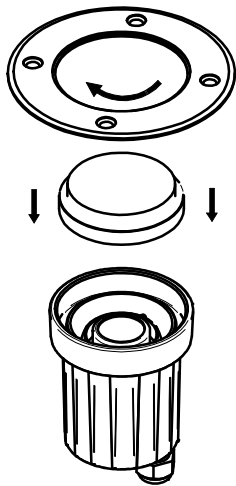




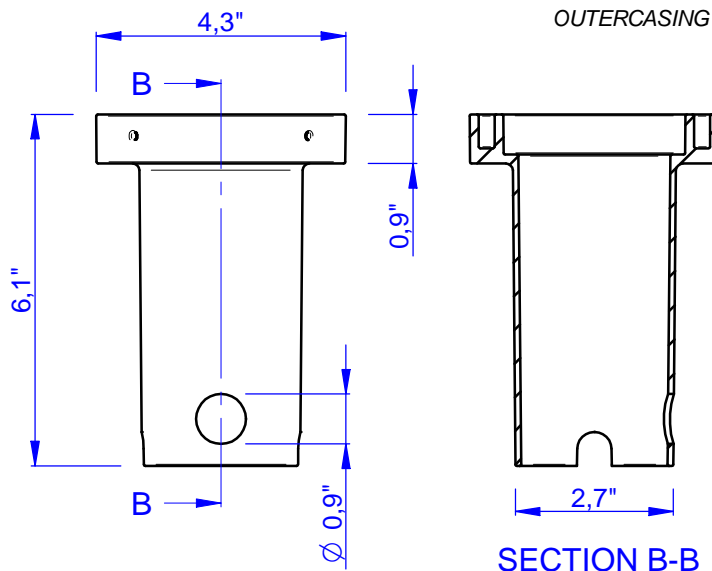
## SUELO-R 8W // SUELO-Q 8W SUELO-RJ 8W // SUELO-QJ 8W



6



INSERT THE GLASS AND TIGHTEN THE FLANGE



OUTERCASING COD.E98121

SECTION B-B

THIS PRODUCT MUST BE INSTALLED IN ACCORDANCE WITH THE APPLICABLE INSTALLATION CODE BY A PERSON FAMILIAR WITH THE CONSTRUCTION AND OPERATION OF THE PRODUCT AND THE HAZARDS INVOLVED

### MOUNTING INSTRUCTIONS

READ ALL OF THESE INSTRUCTIONS BEFORE INSTALLING FIXTURES

- Keep all of the instructions for future reference
- Turn off power before installing fixture
- Installation is to be performed by a qualified electrician only
- All installations must conform to the National Electrical Code as well as all local jurisdictional codes and regulations
- Any modification of the luminaire will void any and all written or implied warranties
- The manufacture accepts no responsibility for damage to persons or property arising through improper use or installation

### INSTALLATION SEQUENCE

- Mount remote driver in accessible well ventilated space
- Ensure power is off before connecting driver to line voltage
- Fix the outer casing on the ground, the surface must be perfectly flat
- Connect secondary wiring to fixture wiring
- Insert the Suelo into the outer casing and fix it with the screws [1]
- WARNING - Be sure secondary wiring is connected to driver BEFORE energizing to avoid LED failure
- Energize

### SEQUENCE FOR ADJUST TILTING

- Ensure power is off before opening the Suelo
- Unscrew the flange and remove the glass [2]\*
- Unscrew slightly the screw to facilitate tilting [3]
- Adjust the tilting [4]
- Tighten the screw [5]
- Insert the glass and tighten the flange [6]\*\*
- Energize

\* Only for Suelo Stainless Steel finish, unscrew the ring, remove the flange and the glass

\*\* Only for Suelo Stainless Steel finish, insert the glass, insert the flange and tighten the ring

<b>Colours Secondary Cable</b>	<b>Pole</b>
Wire black number 1	+
Wire black number 2	-
Wire green	Ground