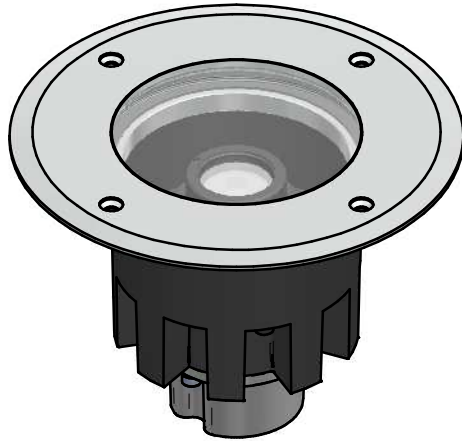
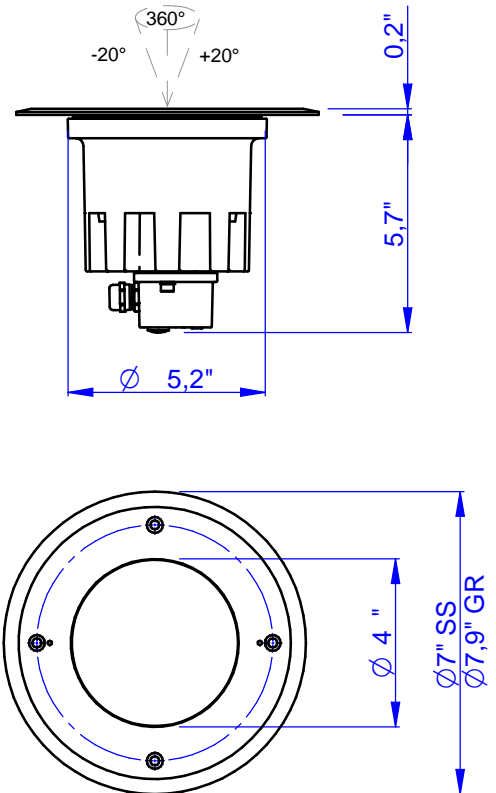


FINISH	CODE	COLOUR LED	OPTIC
EMBOSSSED GRAY	<b>E96086</b>	4000K - <b>N</b>	15° - <b>15</b>
STAINLESS STEEL	<b>E96084</b>	3000K - <b>W</b>	30° - <b>30</b>
		2700K - <b>M</b>	60° - <b>60</b>



Dimensions



Finishes

STAINLESS STEEL (SS)  
 EMBOSSSED GRAY (GR)

Product Description

Outdoor drive over spotlight, can be installed through the casing. Body in die-cast aluminum painted (GR) or in Inox Steel AISI316 peened. Optical unit tilting +/-20° backward and black silkscreen on the glass (sandblasted glass for the version "diffused") to reduce glare. Article with resin, system "Acquastop" anti-aspiration. Multichip LED source, polycarbonate lens. Power supply remote.

LED White :  
 4000K - 3000K - 2700K

Color LED :  
 -

Optic :  
 15° - 30° - 60°

LED RGB :  
 -

Optic :  
 -

Applications

Outdoor Spotlights  
 Recessed installation with outercasing

Power Led:

LED MTG CREE - CRI80

Resin: Yes

Cable type included: Yes, 118,10" 2X18AWG cable Direct Burial

Connector type: -

Input (V - mA) : 350mA

Nominal power (W): 13W

Real power (W): Nominal Power

Temperature on the surface of the glass: 40°

Adjustability: Yes, +/- 20°

Drive over: Yes, 4409 Lbs

Glow Wire: 850°

Power supply: Remote

Insulation class: Class 2

IP 67

IK 10

Weight: 4,41 Lbs

Volume: 702"³

△ : OK

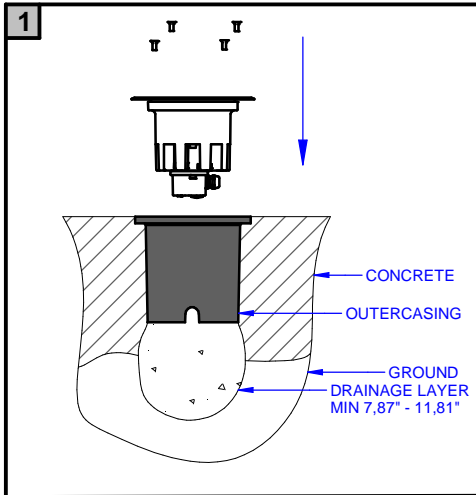
ETL : OK

Luminous flux

Type LED	n°led	Nominal Lumen*			Nominal Power
		4000K - N	3000K - W	2700K - M	
MTG	1	1434	1338	1243	13W

\*Value of the luminous flux from the LED data sheet.

Installation



THIS PRODUCT MUST BE INSTALLED IN ACCORDANCE WITH THE APPLICABLE INSTALLATION CODE BY A PERSON FAMILIAR WITH THE CONSTRUCTION AND OPERATION OF THE PRODUCT AND THE HAZARDS INVOLVED

READ ALL OF THESE INSTRUCTIONS BEFORE INSTALLING FIXTURES

- Keep all of the instructions for future reference
- Turn off power before installing fixture
- Installation is to be performed by a qualified electrician only
- All installations must conform to the National Electrical Code as well as all local jurisdictional codes and regulations
- Any modification of the luminaire will void any and all written or implied warranties
- The manufacture accepts no responsibility for damage to persons or property arising through improper use or installation

**INSTALLATION SEQUENCE**

- Mount remote driver in accessible well ventilated space
- Ensure power is off before connecting driver to line voltage
- Before install the outer casing
- Fix the Suelo in the outer casing with the screws
- **WARNING:** Be sure secondary wiring is connected to driver BEFORE energizing to avoid LED failure
- Energize the power line

Accessories

<p>Accessory (1)</p> <p>Cod. E84933</p>	<p>Accessory (2)</p>	<p>Accessory (3)</p>	<p>Accessory (4)</p>
---	----------------------	----------------------	----------------------

Accessory (1)  
 Cod. E84933 : Outer casing (Optics 15°/30°/60°/Diffused)

Accessory (2)

Accessory (3)

Accessory (4)