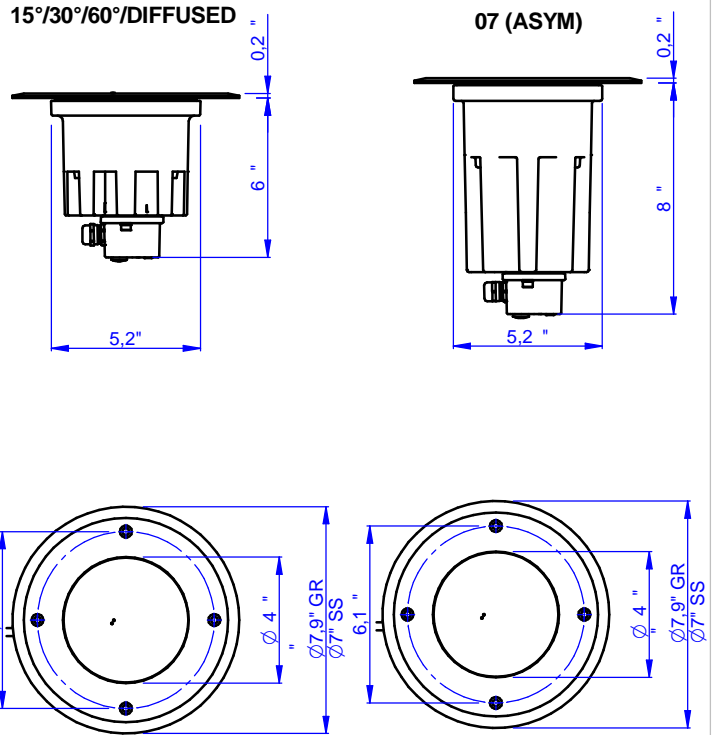


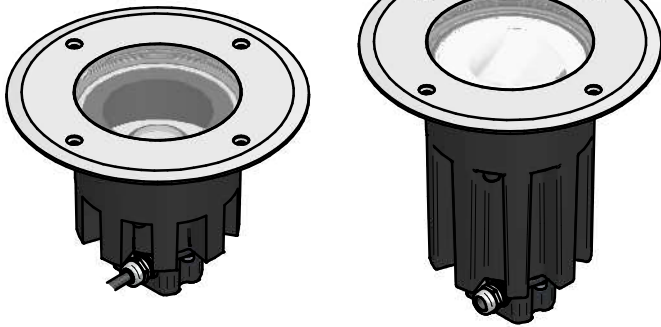
FINISH	CODE	COLOUR LED	OPTIC
EMBOSSSED GRAY	E96085	4000K - N 3000K - W 2700K - M	15° - 15
STAINLESS STEEL	E96083		30° - 30
			60° - 60
EMBOSSSED GRAY	E95799		Diffused - 00
STAINLESS STEEL	E95779		ASYM - 07

Dimensions



15°/30°/60°/DIFFUSED

07 (ASYM)



Finishes

EMBOSSSED GRAY (GR)
 STAINLESS STEEL (SS)

Product Description

Outdoor spotlight, can be installed through the casing. Body in die-cast aluminum painted (GR) or stainless steel(SS). Optical unit backward and black silkscreen on the glass (sandblasted glass for the version "diffused") to reduce glare. Article with resin, system "Acquastop" anti-aspiration. Version 15° / 30° 60° : multichip LEDs source , polycarbonate lens, screen-printed glass. Version Widespread (00): multichip LED source, no lens, frosted glass. Asymmetric version: LED COB source, lens with metallic coating that makes the asymmetric beam, screen-printed glass. Power supply remote.

LED White :
 4000K - 3000K - 2700K

Color LED :
 -

Optic :
 15°- 30°- 60°- Diffused (00) - Asym (07)

LED RGB :
 -

Optic :
 -

Applications

Outdoor Spotlights
 Recessed installation with outercasing

Power Led:
 LED MTG CREE - CRI80 (15°-30°-60°- Diffused)
 LED CXB1816 CREE - CRI80 (Asym)

Resin: Yes
 Cable type included: Yes ,118,10" 2X18AWG cable Direct Burial
 Connector type: -
 Input (V - mA) : 350mA
 Nominal power (W): 13W
 Real power (W): Nominal Power

Temperature on the surface of the glass: 45°C
 Adjustability: No
 Drive over: Yes, 4409 Lbs only 15° - 30° - 60° - Diffused
 Glow Wire: 850°
 Power supply: Remote
 Insulation class: Class 2
 IP 67
 IK 10
 Weight: 4,41 Lbs
 Volume: 702"³

Luminous flux

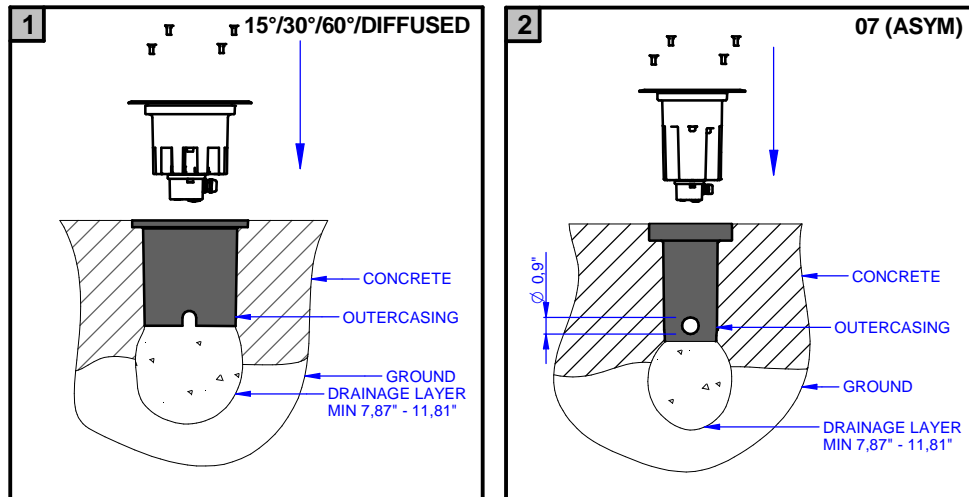
Optic	Type LED	n°led	Nominal Lumen*			Nominal Power
			4000K - N	3000K - W	2700K - M	
15°-30°-60°- Diffused	MTG	1	1434	1338	1243	13W
Asym	CXB1816		1863	1863	1743	

*Value of the luminous flux from the LED data sheet.



Data Sheet

Installation



THIS PRODUCT MUST BE INSTALLED IN ACCORDANCE WITH THE APPLICABLE INSTALLATION CODE BY A PERSON FAMILIAR WITH THE CONSTRUCTION AND OPERATION OF THE PRODUCT AND THE HAZARDS INVOLVED

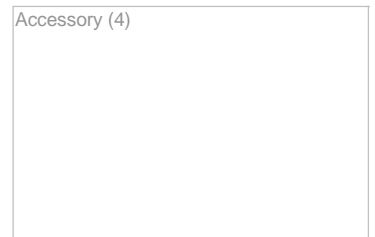
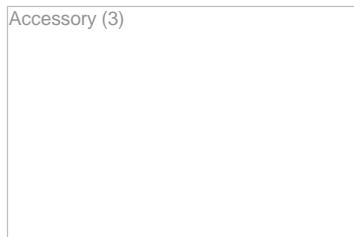
READ ALL OF THESE INSTRUCTIONS BEFORE INSTALLING FIXTURES

- Keep all of the instructions for future reference
- Turn off power before installing fixture
- Installation is to be performed by a qualified electrician only
- All installations must conform to the National Electrical Code as well as all local jurisdictional codes and regulations
- Any modification of the luminaire will void any and all written or implied warranties
- The manufacture accepts no responsibility for damage to persons or property arising through improper use or installation

INSTALLATION SEQUENCE

- Mount remote driver in accessible well ventilated space
- Ensure power is off before connecting driver to line voltage
- Before install the outercasing
- Fix the Suelo in the outercasing with the screws
- **WARNING:** Be sure secondary wiring is connected to driver BEFORE energizing to avoid LED failure
- Energize the power line

Accessories



Accessory (1)
 Cod. E84933 : Outercasing (Optics 15°/30°/60°/Diffused)

Accessory (2)
 Cod. E84932 : Outercasing (Optics Asym)

Accessory (3)

Accessory (4)