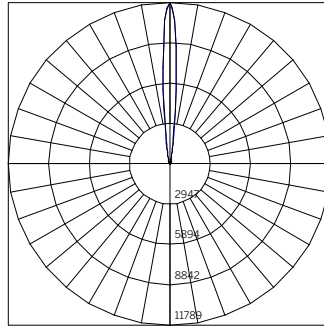


FIXED OPTICS

SUR-SFST-F-...-NSP-...

Delivered Lumens - Narrow Spot

		Diameter [Wattage]		
		12 [2 CC]	25 [4 CC / CV]	36 [7 CC / CV]
CCT	27	149	-	615
	30	169	-	615
	40	181	-	665
Polar Plot / Cone Of Light Multiplier				
		12 [2 CC]	25 [4 CC / CV]	36 [7 CC / CV]
		0.27	-	1.00



Beam Angle (0-180) = 9.5
Beam Angle (90-270) = 9.4

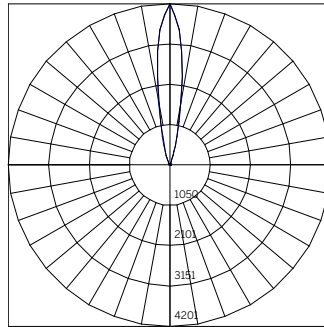
CONE OF LIGHT - 7W 3000K NARROW SPOT SUR-SFST-F-36-7-CC-30-NSP*

Throw Distance [Ft]	Illuminance [fc at max cd]	Beam Diameter [Ft]
20	29	3.3
18	36	3.0
16	46	2.7
14	60	2.3
12	82	2.0
10	118	1.7
8	184	1.3
6	327	1.0
4	737	0.7
2	2947	0.3

SUR-SFST-F-...-SP-...

Delivered Lumens - Spot

		Diameter [Wattage]		
		12 [2 CC]	25 [4 CC / CV]	36 [7 CC / CV]
CCT	27	120	407	544
	30	135	407	544
	40	144	439	587
Polar Plot / Cone Of Light Multiplier				
		12 [2 CC]	25 [4 CC / CV]	36 [7 CC / CV]
		0.25	0.75	1.00



Beam Angle (0-180) = 17.4
Beam Angle (90-270) = 17.2

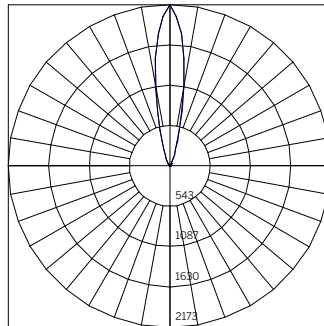
CONE OF LIGHT - 7W 3000K SPOT SUR-SFST-F-36-7-CC-30-SP*

Throw Distance [Ft]	Illuminance [fc at max cd]	Beam Diameter [Ft]
20	11	6.1
18	13	5.5
16	16	4.9
14	21	4.3
12	29	3.7
10	42	3.1
8	66	2.5
6	117	1.8
4	263	1.2
2	1050	0.6

SUR-SFST-F-...-NFL-...

Delivered Lumens - Narrow Flood

		Diameter [Wattage]		
		12 [2 CC]	25 [4 CC / CV]	36 [7 CC / CV]
CCT	27	-	405	-
	30	-	405	-
	40	-	438	-
Polar Plot / Cone Of Light Multiplier				
		12 [2 CC]	25 [4 CC / CV]	36 [7 CC / CV]
		-	1.00	-



Beam Angle (0-180) = 20.1
Beam Angle (90-270) = 20.0

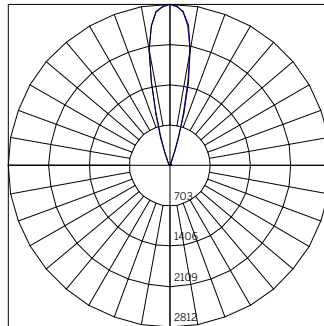
CONE OF LIGHT - 4W 3000K NARROW FLOOD SUR-SFST-F-25-4-CC-30-NFL*

Throw Distance [Ft]	Illuminance [fc at max cd]	Beam Diameter [Ft]
20	5	7.1
18	7	6.4
16	8	5.7
14	11	5.0
12	15	4.3
10	22	3.5
8	34	2.8
6	60	2.1
4	136	1.4
2	543	0.7

SUR-SFST-F-...-FL-...

Delivered Lumens - Flood

		Diameter [Wattage]		
		12 [2 CC]	25 [4 CC / CV]	36 [7 CC / CV]
CCT	27	132	361	573
	30	149	361	573
	40	159	390	618
Polar Plot / Cone Of Light Multiplier				
		12 [2 CC]	25 [4 CC / CV]	36 [7 CC / CV]
		0.26	0.63	1.00



Beam Angle (0-180) = 25.6
Beam Angle (90-270) = 25.9

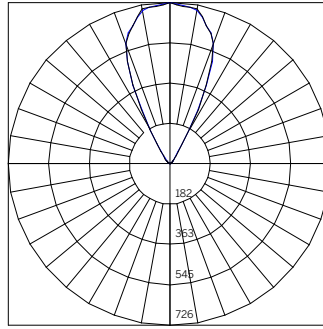
CONE OF LIGHT - 7W 3000K FLOOD SUR-SFST-F-36-7-CC-30-FL*

Throw Distance [Ft]	Illuminance [fc at max cd]	Beam Diameter [Ft]
20	7	9.1
18	9	8.2
16	11	7.3
14	14	6.4
12	20	5.5
10	28	4.6
8	44	3.6
6	78	2.7
4	176	1.8
2	703	0.9

*Polar Plot and Cone of Light are applicable to part number noted; use Multiplication Factor table to approximate other models or refer to online photometry.

FIXED OPTICS

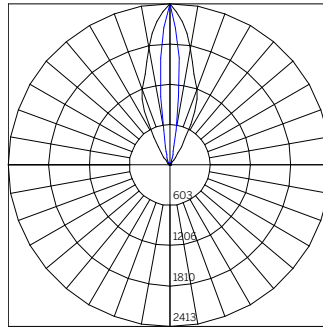
SUR-SFST-F-...-WFL-...				
Delivered Lumens - Wide Flood				
		Diameter [Wattage]		
		12 [2 CC]	25 [4 CC / CV]	36 [7 CC / CV]
CCT	27	127	369	504
	30	145	369	504
	40	154	399	544
Polar Plot / Cone Of Light Multiplier				
		12 [2 CC]	25 [4 CC / CV]	36 [7 CC / CV]
		0.29	0.73	1.00



Beam Angle (0-180) = 51.2
Beam Angle (90-270) = 51.3

CONE OF LIGHT - 7W 3000K WIDE FLOOD SUR-SFST-F-36-7-CC-30-WFL*		
Throw Distance [Ft]	Illuminance [fc at max cd]	Beam Diameter [Ft]
20	2	19.2
18	2	17.2
16	3	15.3
14	4	13.4
12	5	11.5
10	7	9.6
8	11	7.7
6	20	5.7
4	45	3.8
2	182	1.9

SUR-SFST-F-...-EL-...				
Delivered Lumens - Elliptic				
		Diameter [Wattage]		
		12 [2 CC]	25 [4 CC / CV]	36 [7 CC / CV]
CCT	27	-	438	509
	30	-	438	509
	40	-	473	551
Polar Plot / Cone Of Light Multiplier				
		12 [2 CC]	25 [4 CC / CV]	36 [7 CC / CV]
		-	0.86	1.00



Beam Angle (0-180) = 13.5
Beam Angle (90-270) = 40.0

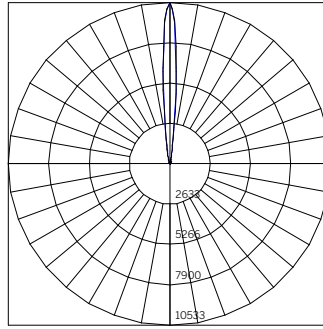
CONE OF LIGHT - 7W 3000K ELLIPTIC SUR-SFST-F-36-7-CC-30-EL*		
Throw Distance [Ft]	Illuminance [fc at max cd]	Beam Diameter [Ft]
20	6	4.7
18	7	4.3
16	9	3.8
14	12	3.3
12	17	2.8
10	24	2.4
8	38	1.9
6	67	1.4
4	151	0.9
2	603	0.5

*Polar Plot and Cone of Light are applicable to part number noted; use Multiplication Factor table to approximate other models or refer to online photometry.

SUELO Fixed Optics

FIXED OPTICS - HC HONEYCOMB LOUVER

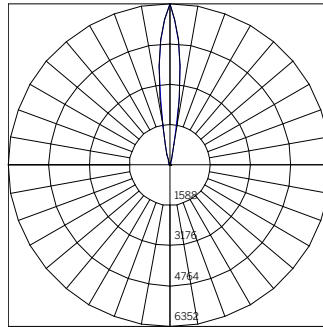
SUR-SFST-FHC-...-NSP-... Delivered Lumens - Narrow Spot				
Diameter [Wattage]				
		12 [2 CC]	25 [4 CC / CV]	36 [7 CC / CV]
CCT	27	-	-	471
	30	-	-	471
	40	-	-	509
Polar Plot / Cone Of Light Multiplier				
		12 [2 CC]	25 [4 CC / CV]	36 [7 CC / CV]
		-	-	1.00



Beam Angle (0-180) = 9.1
Beam Angle (90-270) = 9.4

CONE OF LIGHT - 7W 3000K NARROW SPOT SUR-SFST-FHC-36-7-CC-30-NSP*		
Throw Distance [Ft]	Illuminance [fc at max cd]	Beam Diameter [Ft]
20	26	3.2
18	33	2.9
16	41	2.5
14	54	2.2
12	73	1.9
10	105	1.6
8	165	1.3
6	293	1.0
4	658	0.6
2	2633	0.3

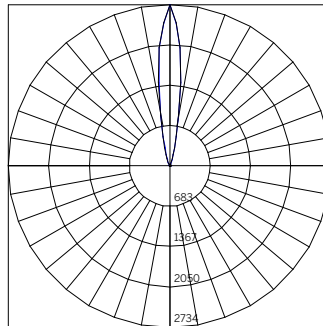
SUR-SFST-FHC-...-SP-... Delivered Lumens - Spot				
Diameter [Wattage]				
		12 [2 CC]	25 [4 CC / CV]	36 [7 CC / CV]
CCT	27	-	-	484
	30	-	-	484
	40	-	-	522
Polar Plot / Cone Of Light Multiplier				
		12 [2 CC]	25 [4 CC / CV]	36 [7 CC / CV]
		-	-	1.00



Beam Angle (0-180) = 14.2
Beam Angle (90-270) = 14.4

CONE OF LIGHT - 7W 3000K SPOT SUR-SFST-FHC-36-7-CC-30-SP*		
Throw Distance [Ft]	Illuminance [fc at max cd]	Beam Diameter [Ft]
20	16	5.0
18	20	4.5
16	25	4.0
14	32	3.5
12	44	3.0
10	64	2.5
8	99	2.0
6	176	1.5
4	397	1.0
2	1588	0.5

SUR-SFST-FHC-...-NFL-... Delivered Lumens - Narrow Flood				
Diameter [Wattage]				
		12 [2 CC]	25 [4 CC / CV]	36 [7 CC / CV]
CCT	27	-	294	-
	30	-	294	-
	40	-	316	-
Polar Plot / Cone Of Light Multiplier				
		12 [2 CC]	25 [4 CC / CV]	36 [7 CC / CV]
		-	1.00	-



Beam Angle (0-180) = 15.4
Beam Angle (90-270) = 15.6

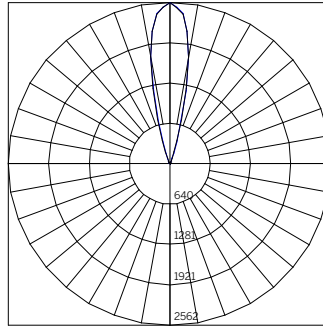
CONE OF LIGHT - 4W 3000K NARROW FLOOD SUR-SFST-FHC-25-4-CC-30-NFL*		
Throw Distance [Ft]	Illuminance [fc at max cd]	Beam Diameter [Ft]
20	7	5.4
18	8	4.9
16	11	4.3
14	14	3.8
12	19	3.3
10	27	2.7
8	43	2.2
6	76	1.6
4	171	1.1
2	684	0.5

*Polar Plot and Cone of Light are applicable to part number noted; use Multiplication Factor table to approximate other models or refer to online photometry.

SUELO Fixed Optics

FIXED OPTICS - HC HONEYCOMB LOUVER

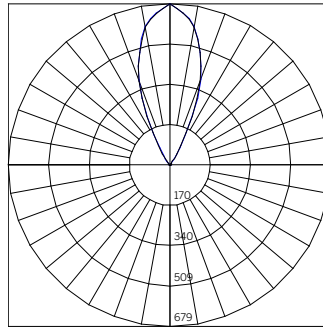
SUR-SFST-FHC-...-FL... Delivered Lumens - Flood				
		Diameter [Wattage]		
		12 [2 CC]	25 [4 CC / CV]	36 [7 CC / CV]
CCT	27	-	207	457
	30	-	207	457
	40	-	223	494
Polar Plot / Cone Of Light Multiplier				
		12 [2 CC]	25 [4 CC / CV]	36 [7 CC / CV]
		-	0.45	1.00



Beam Angle (0-180) = 24.1
Beam Angle (90-270) = 24.4

CONE OF LIGHT - 7W 3000K FLOOD SUR-SFST-FHC-36-7-CC-30-FL*		
Throw Distance [Ft]	Illuminance [fc at max cd]	Beam Diameter [Ft]
20	6	8.6
18	8	7.7
16	10	6.8
14	13	6.0
12	18	5.1
10	26	4.3
8	40	3.4
6	71	2.6
4	160	1.7
2	641	0.9

SUR-SFST-FHC-...-WFL... Delivered Lumens - Wide Flood				
		Diameter [Wattage]		
		12 [2 CC]	25 [4 CC / CV]	36 [7 CC / CV]
CCT	27	-	182	327
	30	-	182	327
	40	-	196	353
Polar Plot / Cone Of Light Multiplier				
		12 [2 CC]	25 [4 CC / CV]	36 [7 CC / CV]
		-	0.56	1.00



Beam Angle (0-180) = 42.8
Beam Angle (90-270) = 42.6

CONE OF LIGHT - 7W 3000K WIDE FLOOD SUR-SFST-F-36-7-CC-30-EL*		
Throw Distance [Ft]	Illuminance [fc at max cd]	Beam Diameter [Ft]
20	2	15.7
18	2	14.1
16	3	12.5
14	3	11.0
12	5	9.4
10	7	7.8
8	11	6.3
6	19	4.7
4	42	3.1
2	170	1.6

*Polar Plot and Cone of Light are applicable to part number noted; use Multiplication Factor table to approximate other models or refer to online photometry.