

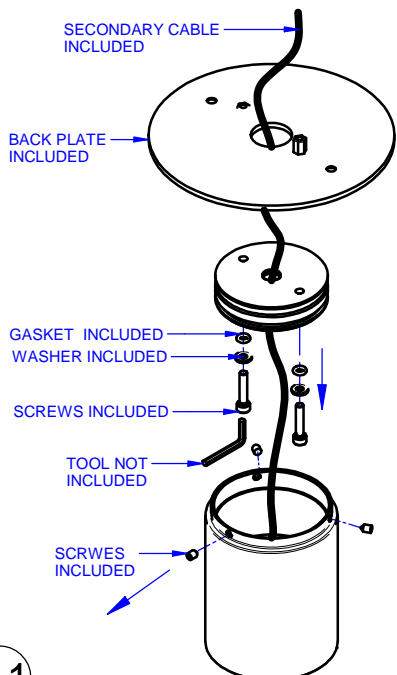
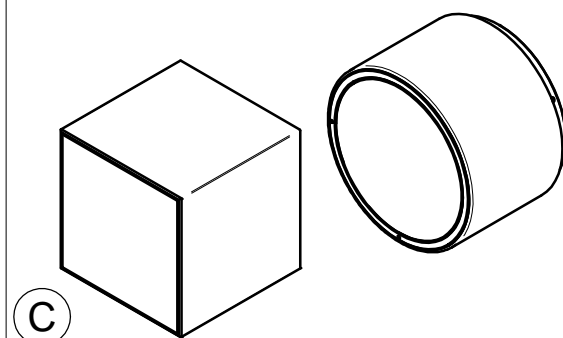
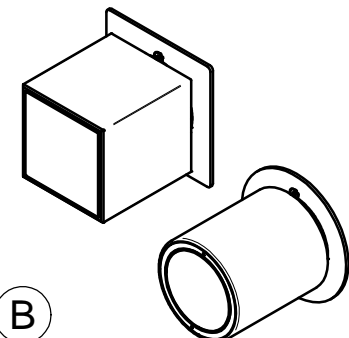
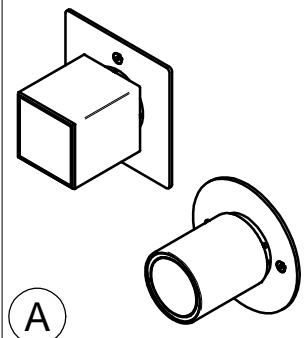
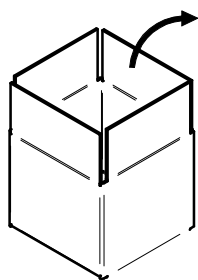


PORTIK_R / PORTIK_Q

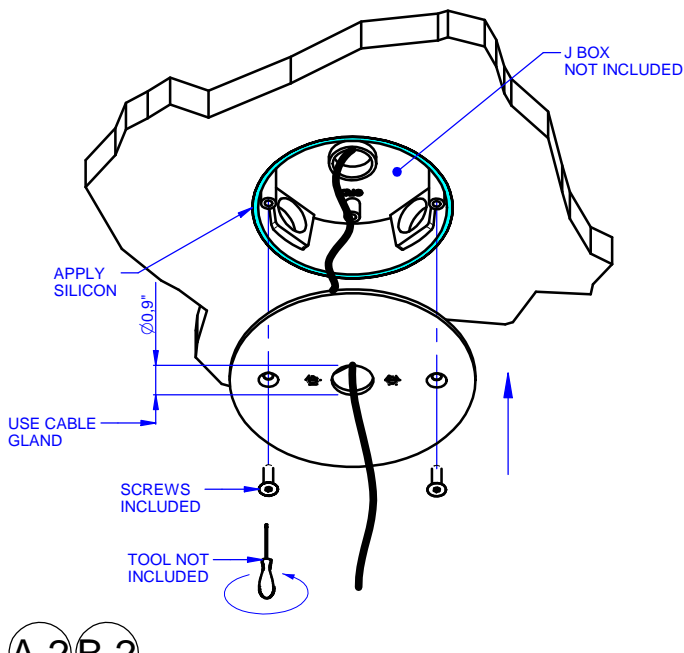
PORTIK-Q (4W) // PORTIK-R (4W)

PORTIK-Q (13W) // PORTIK-R (13W)

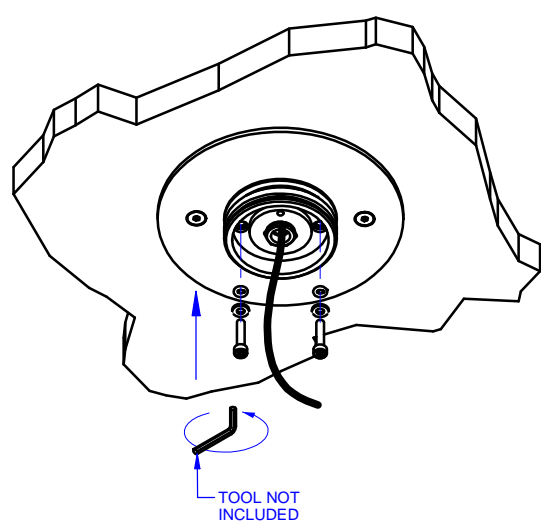
PORTIK-Q (25W) // PORTIK-R (25W)



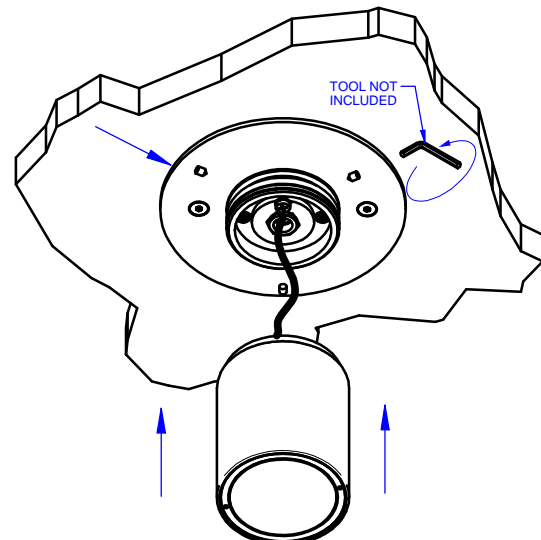
A.1 B.1



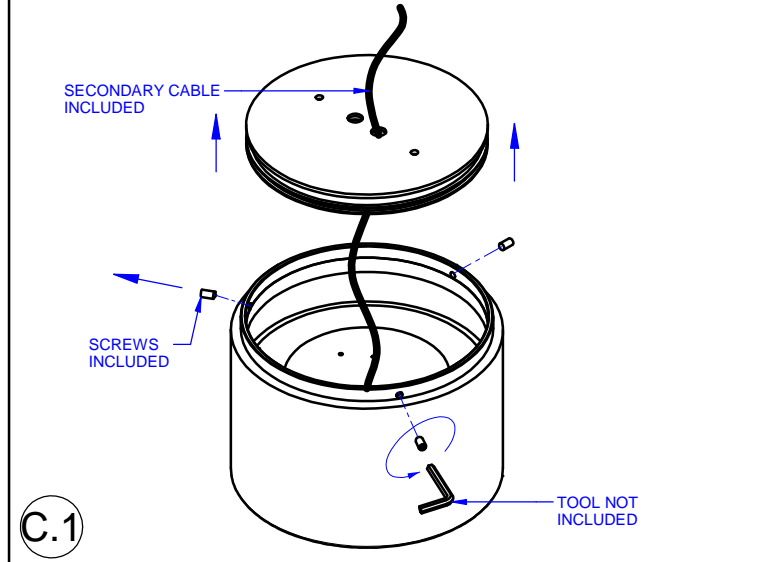
A.2 B.2



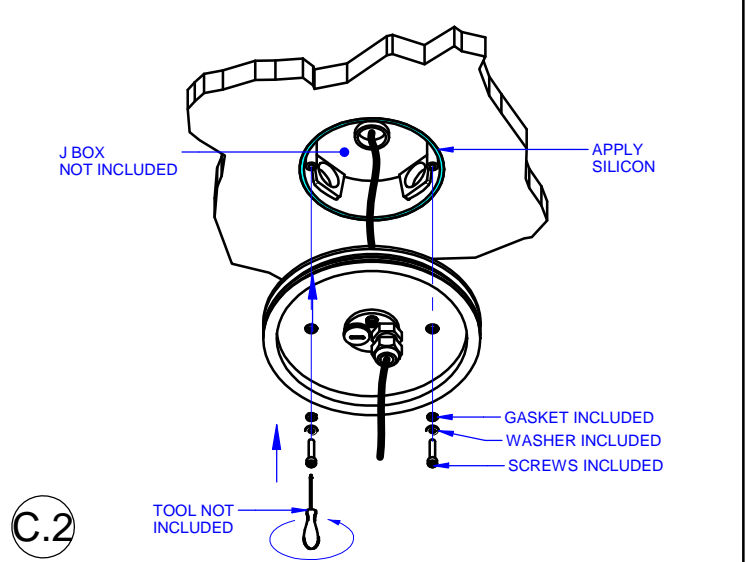
A.3 B.3



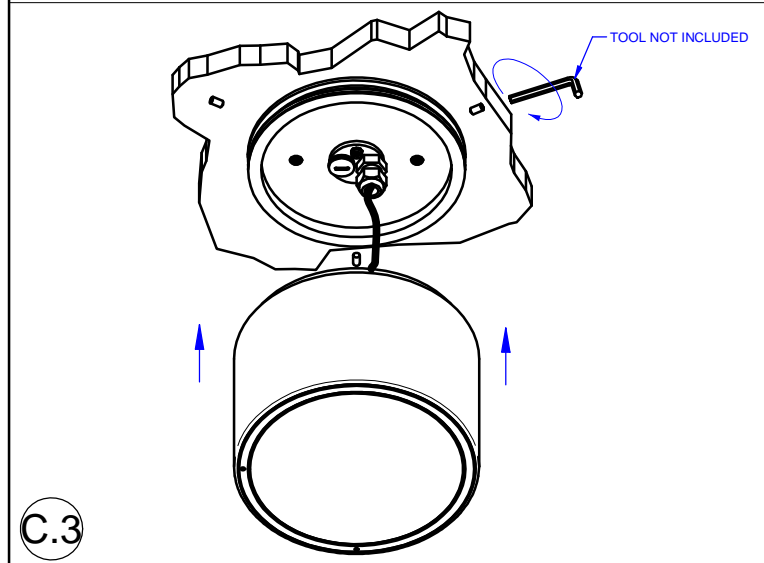
A.4 B.4



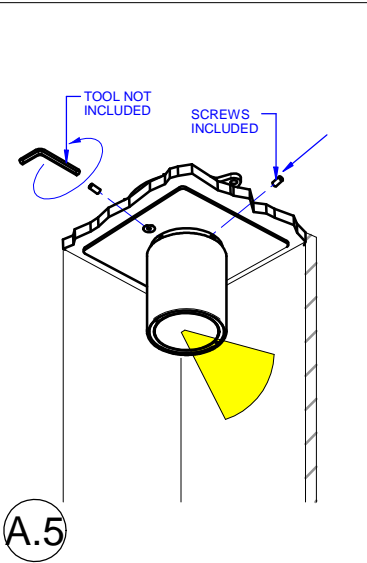
C.1



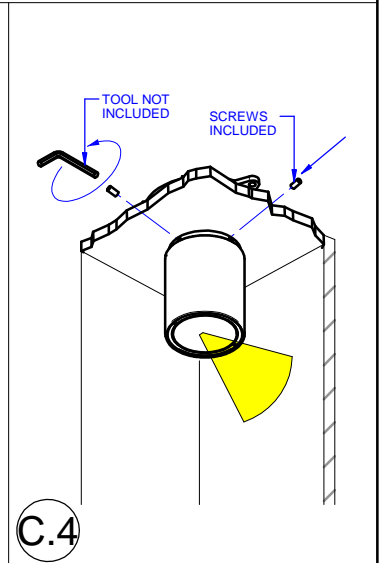
C.2



C.3



A.5



C.4

THIS PRODUCT MUST BE INSTALLED IN ACCORDANCE WITH THE APPLICABLE INSTALLATION CODE BY A PERSON FAMILIAR WITH THE CONSTRUCTION AND OPERATION OF THE PRODUCT AND THE HAZARDS INVOLVED

MOUNTING INSTRUCTIONS

READ ALL OF THESE INSTRUCTIONS BEFORE INSTALLING FIXTURES

- Keep all of the instructions for future reference
- Turn off power before installing fixture
- Installation is to be performed by a qualified electrician only
- All installations must conform to the National Electrical Code as well as all local jurisdictional codes and regulations
- Any modification of the luminaire will void any and all written or implied warranties
- The manufacture accepts no responsibility for damage to persons or property arising through improper use or installation

INSTALLATION SEQUENCE PORTIK 4W - PORTIK 13W

- Mount remote driver in accessible well ventilated space
- Ensure power is off before connecting driver to line voltage
- Connect secondary wiring to fixture wiring on the j box
- Remove the plug and the back-plate from the Portik [A.1-B.1]
- Attach the back-plate on the j box with the screws [A.2-B.2]
- Attach the plug on the back-plate with the screws [A.3-B.3]
- Attach the Portik on the plug with the screws [A.4-B.4]
- Only asymmetric version: loosen up the screws, adjust the position, tighten the screws [A.5]
- **WARNING:** Be sure secondary wiring is connected to driver BEFORE energizing to avoid LED failure
- Energize the power line

INSTALLATION SEQUENCE PORTIK 25W

- Mount remote driver in accessible well ventilated space
- Ensure power is off before connecting driver to line voltage
- Connect secondary wiring to fixture wiring on the j box
- Remove the plug from the Portik [C.1]
- Attach the plug on the j box with the screws [C.2]
- Attach the Portik on the plug with the screws [C.3]
- Only asymmetric version: loosen up the screws, adjust the position, tighten the screws [C.4]
- **WARNING:** Be sure secondary wiring is connected to driver BEFORE energizing to avoid LED failure
- Energize the power line

<i>Colours Secondary Cable</i>	<i>Pole</i>
Wire white	+
Wire black	-
Wire green	Ground