

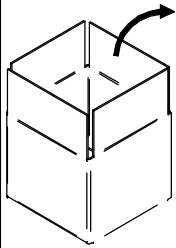


ORMA

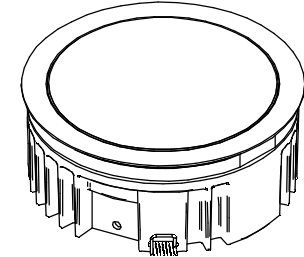
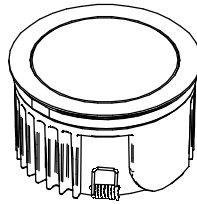
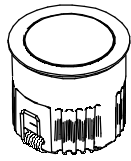
SMALL

MEDIUM

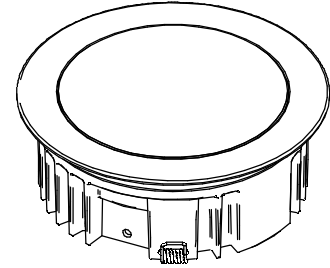
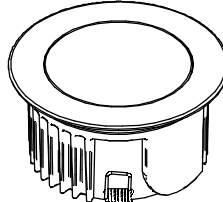
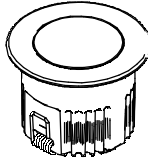
LARGE



ORMA_F
 ORMA_FJ
 ORMA_FL



ORMA
 ORMA_J
 ORMA_L



WARNING
 INSTALL PRODUCT IN ACCORDANCE WITH LOCAL AND NATIONAL ELECTRICAL CODES BY A QUALIFIED ELECTRICIAN

WARNING
 FAILURE TO COMPLY WITH THE INSTALLATION INSTRUCTIONS MAY RESULT IN DEATH OR SERIOUS INJURY.

WARNING
 READ ALL SAFETY INSTRUCTIONS INCLUDED WITH LUMINAIRE BEFORE INSTALLING LUMINAIRE. SAVE INSTRUCTIONS FOR FUTURE USE.

CAUTION
 THIS IS AN ELECTRIC DEVICE. CARE MUST BE TAKEN DURING STORAGE AND HANDLING. STORE IN A CLEAN, COOL AND DRY LOCATION. ELECTROSTATIC DISCHARGE (ESD) CAN HARM THIS PRODUCT. AVOID STATIC DISCHARGE WHILE HANDLING THIS PRODUCT.

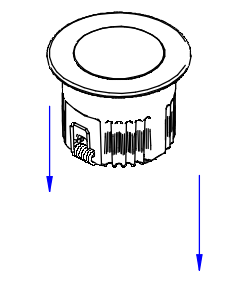
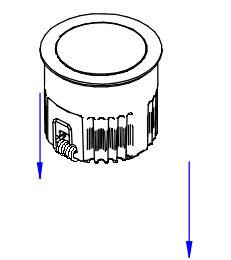
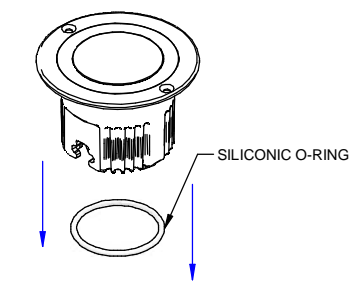
CAUTION
 INTER-LUX IS NOT RESPONSIBLE FOR THE STRUCTURAL INTEGRITY OF THE BUILDING TO SUPPORT THE LUMINAIRE. ADDITIONAL BACKING MAY BE REQUIRED.

LOCATE AND REVIEW ANY CONSTRUCTION PLANS AND INTER-LUX RECORD DRAWINGS FOR ALL FIXTURE RUNS. IT IS RECOMMENDED TO LOCATE AND LAY OUT ALL COMPONENTS FOR EACH FIXTURE "RUN". A FIXTURE RUN TYPICALLY CONSISTS OF JOINTERS, LENGTHS OF HOUSING, AND ENDSAPS. BE SURE TO IDENTIFY ALL CORRECT LENGTHS FOR EACH FIXTURE RUN.

A
 ORMA_F /
 ORMA_FJ /
 ORMA_FL+Kit

B
 ORMA_F /
 ORMA_FJ /
 ORMA_FL

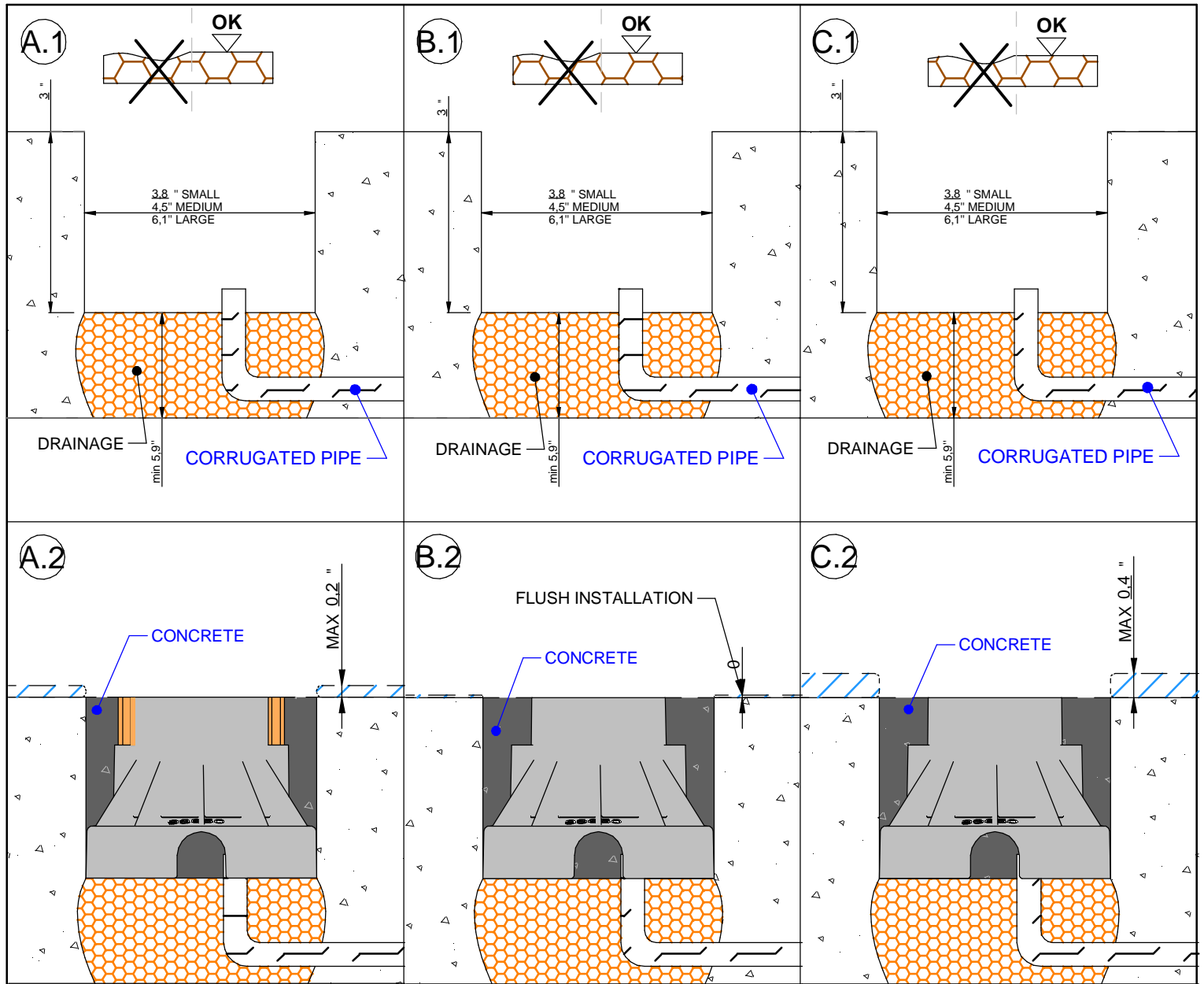
C
 ORMA /
 ORMA_J /
 ORMA_L



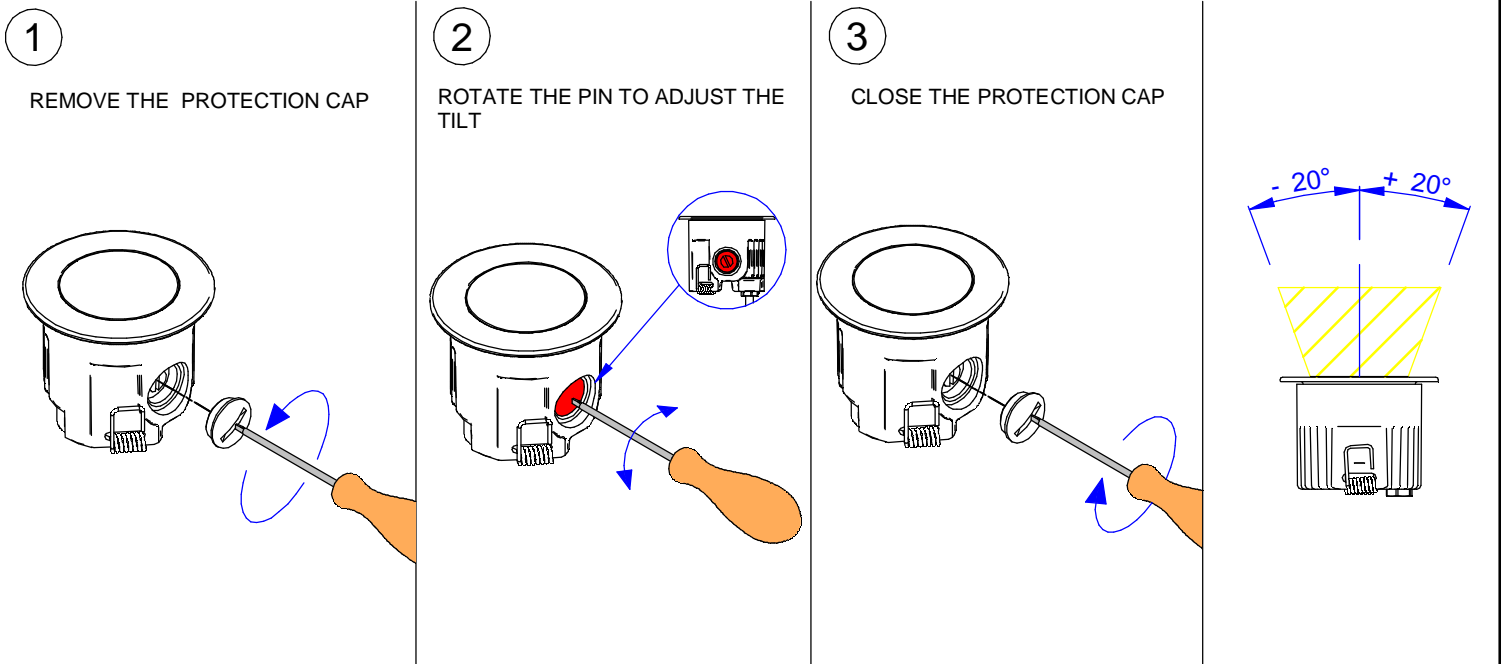
SMALL
 Ø: 3.8"
 COD.E99560
MEDIUM
 Ø: 4.5"
 COD.E99563
BIG
 Ø: 6.1"
 COD.E99564

SMALL
 Ø: 3.8"
 COD.E99650
MEDIUM
 Ø: 4.5"
 COD.E99651
BIG
 Ø: 6.1"
 COD.E99652

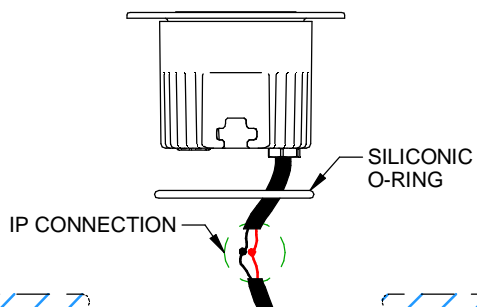
SMALL
 Ø: 3.8"
 COD.E99650
MEDIUM
 Ø: 4.5"
 COD.E99651
BIG
 Ø: 6.1"
 COD.E99652



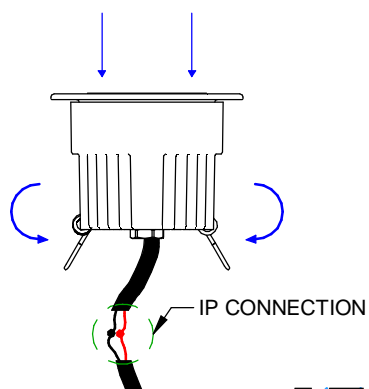
OPTIC ORIENTATION (ONLY ORMA_J - ORMA_FJ)



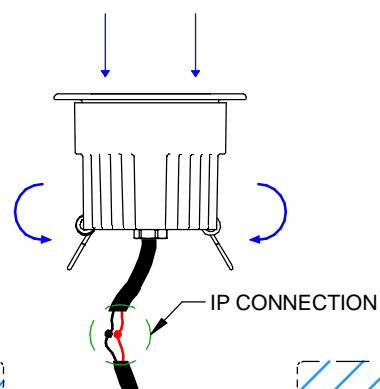
A.3



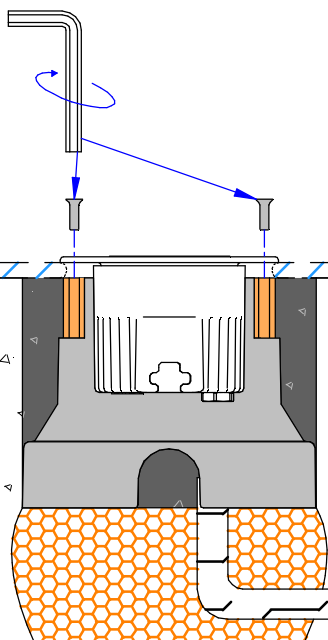
B.3



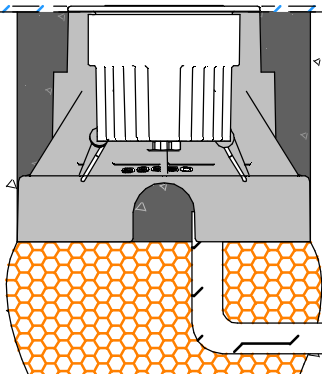
C.3



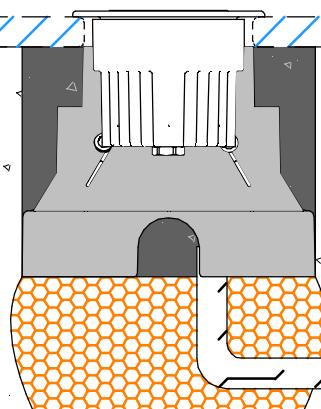
A.4



B.4



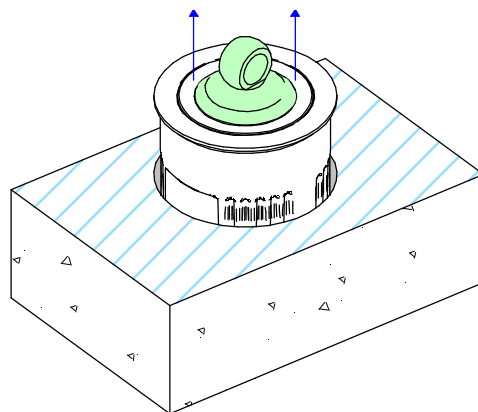
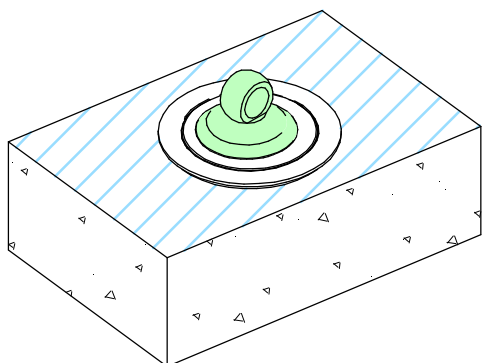
C.4



SPOTLIGHT REMOVAL FROM THE OUTERCASING ONLY FOR ORMA_F - ORMA_FJ - ORMA_FL

1 APPLY THE SUCTION CUP SUPPLIED WITH THE SPOTLIGHT

2 PULL UP

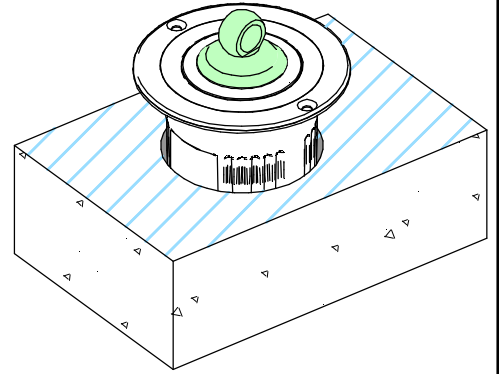
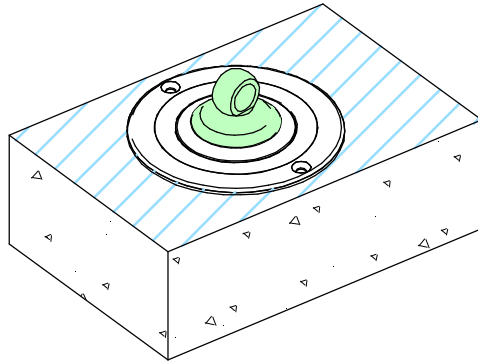
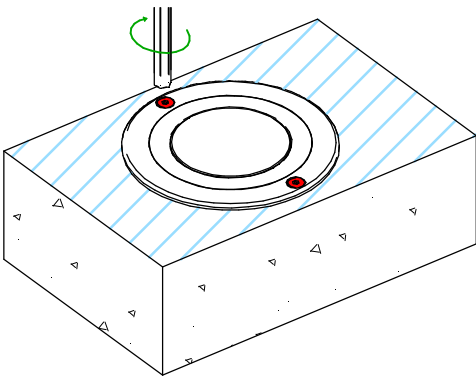


SPOTLIGHT REMOVAL FROM THE OUTERCASING ONLY FOR ORMA_F - ORMA_FJ - ORMA_FL + KIT

1 UNSCREW THE TWO SCREWS WITH USING THE SUPPLIED SPECIAL KEY

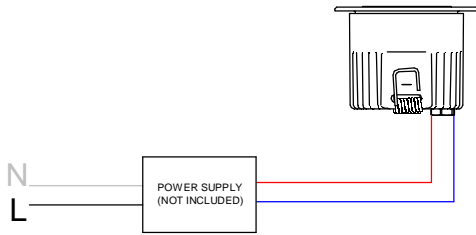
2 APPLY THE SUCTION CUP SUPPLIED WITH THE SPOTLIGHT

3 PULL UP

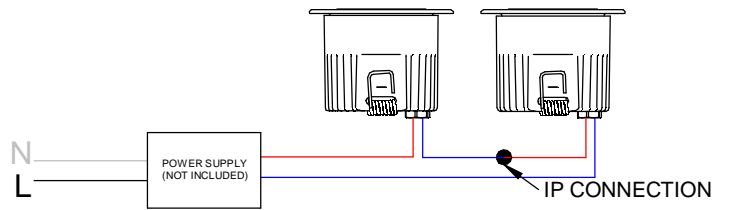


WIRING DIAGRAM

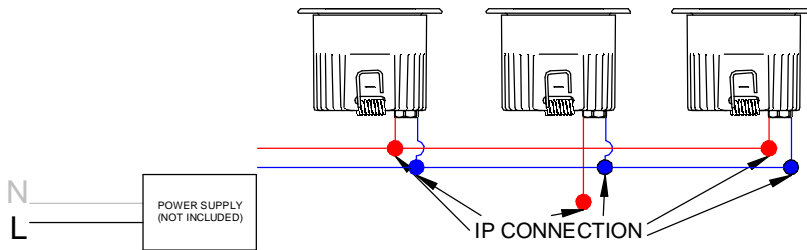
SINGLE ORMA CONNECTION



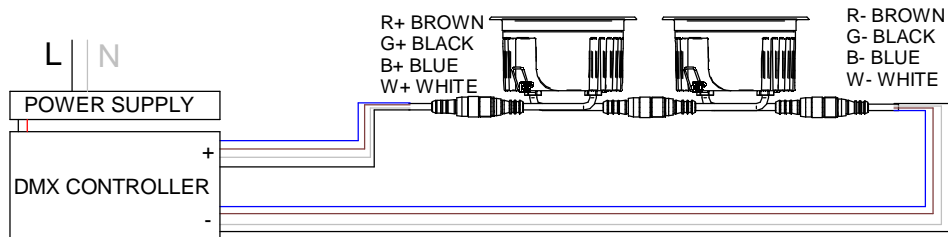
MULTIPLE SERIAL CONNECTION FOR ORMA C.C.



MULTIPLE PARALLEL CONNECTION FOR ORMA C.V. 24V



MULTIPLE SERIAL CONNECTION FOR ORMA RGBW



INSTALLATION INSTRUCTIONS

inter•lux

3741 Commerce Dr. #306-308
Baltimore, MD 21227
Phone (410) 381-1497
inter-lux.com



THIS PRODUCT MUST BE INSTALLED IN ACCORDANCE WITH THE APPLICABLE INSTALLATION CODE BY A PERSON FAMILIAR WITH THE CONSTRUCTION AND OPERATION OF THE PRODUCT AND THE HAZARDS INVOLVED

MOUNTING INSTRUCTIONS

READ ALL OF THESE INSTRUCTIONS BEFORE INSTALLING FIXTURES

- CAUTION: USE ONLY WITH CLASS 2 POWER UNIT
- Keep all of the instructions for future reference
- Turn off power before installing fixture
- Installation is to be performed by a qualified electrician only
- All installations must conform to the National Electrical Code as well as all local jurisdictional codes and regulations
- Any modification of the luminaire will void any and all written or implied warranties
- The manufacture accepts no responsibility for damage to persons or property arising through improper use or installation

INSTALLATION SEQUENCE ORMA

- Mount remote driver in accessible well ventilated space
- Ensure power is off before connecting driver to line voltage
- Fix the outercasing on the ground, the surface must be perfectly flat [A.1] [A.2]
- Connect secondary wiring to fixture wiring [A.3]
- Press the springs and insert the Orma in the outercasing [A.3]
- WARNING - Be sure secondary wiring is connected to driver BEFORE energizing to avoid LED failure
- Energize

INSTALLATION SEQUENCE ORMA + KIT

- Mount remote driver in accessible well ventilated space
- Ensure power is off before connecting driver to line voltage
- Fix the outercasing on the ground, the surface must be perfectly flat [A.1] [A.2]
- Connect secondary wiring to fixture wiring [A.3]
- Insert the Orma in the outercasing and fix it with the screws [A.4]
- WARNING - Be sure secondary wiring is connected to driver BEFORE energizing to avoid LED failure
- Energize