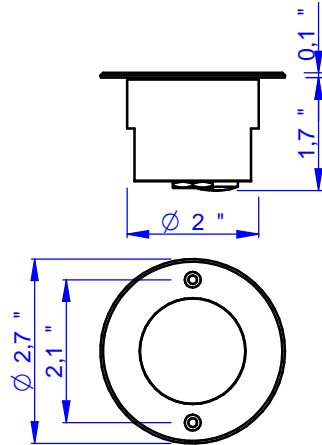
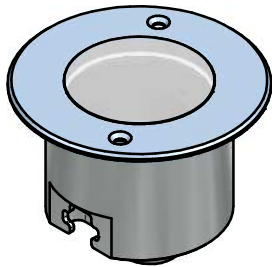


Data Sheet

Dimensions

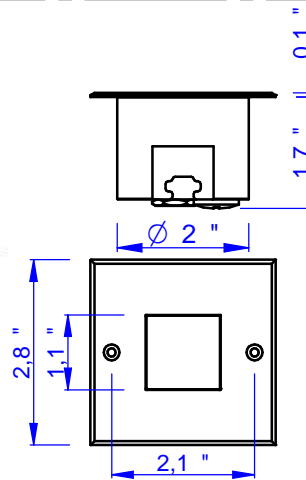
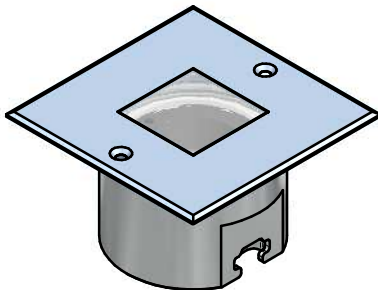
Code	Finish
E96100	Inox



BODY AND FLANGE IN AISI316

Dimensions

Code	Finish
E96101	Inox



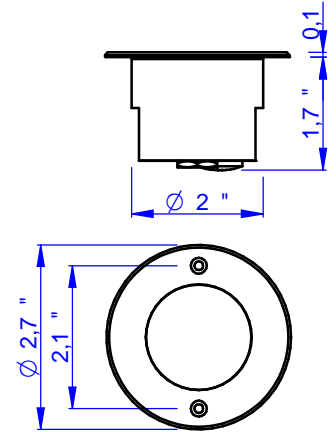
BODY AND FLANGE IN AISI316

Product Description

Outdoor drive over spotlight with fixed optic, round/square flange. Available in two versions: 1) Body and flange in stainless steel Aisi316 2) Body in anodized aluminum and flange in stainless steel AISI316. Extra clear tempered safety glass with silkscreen border. Optics methacrylate. Light source with 3 power LEDs multichip. Article with resin plant to ensure the degree of protection from liquids and dust IP67. Installation with outercasing (not included) and screws. Power supply remote.

Dimensions

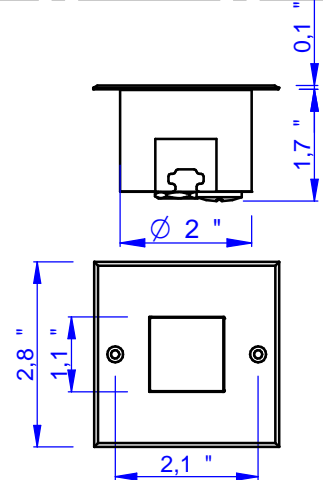
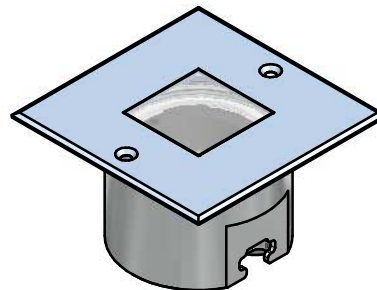
Code	Finish
E96098	Inox



BODY IN ALUMINUM - FLANGE IN AISI316

Dimensions

Code	Finish
E96099	Inox



BODY IN ALUMINUM - FLANGE IN AISI316

LED White :
4000K - 3000K - 2700K

Color LED :
-

Optic :
15° - 30° - 60

LED RGB :
-

Optic :
-

Applications

Outdoor Spotlights

Recessed installation with springs in a special milled

Power Led:

LED XPG2 CREE - CRI80

Resin: Yes

Cable type included: Yes, 118,10" 2x18AWG cable Direct Burial

Connector type: -

Input (V - mA) : 350mA

Nominal power (W): 3W

Real power (W): Nominal Power

Temperature on the surface of the glass: 40°C

Adjustability: No

Drive over: Yes, 4409 Lbs

Glow Wire: 850°

Power supply: Remote

Insulation class: Class 2

IP 67

IK 09

Weight: 0,85 Lbs

Volume: 0,67"³

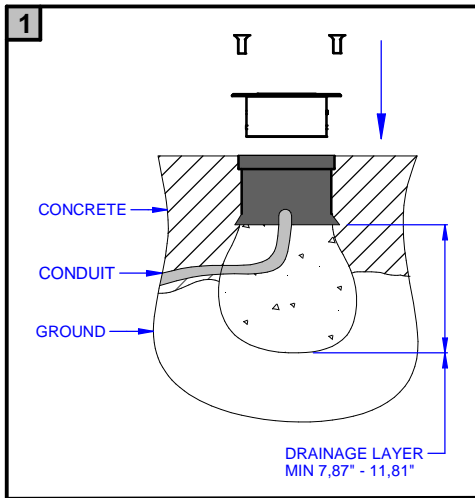


Luminous flux

Type LED	n°led	Nominal Lumen*			Nominal Power
		4000K - N	3000K - W	2700K - M	
XPG2	3	465	435	408	3W

*Value of the luminous flux from the LED data sheet.

Installation



THIS PRODUCT MUST BE INSTALLED IN ACCORDANCE WITH THE APPLICABLE INSTALLATION CODE BY A PERSON FAMILIAR WITH THE CONSTRUCTION AND OPERATION OF THE PRODUCT AND THE HAZARDS INVOLVED

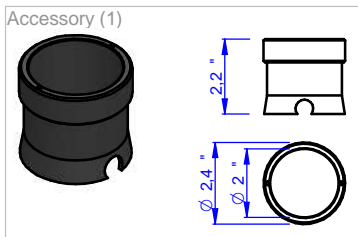
READ ALL OF THESE INSTRUCTIONS BEFORE INSTALLING FIXTURES

- Keep all of the instructions for future reference
- Turn off power before installing fixture
- Installation is to be performed by a qualified electrician only
- All installations must conform to the National Electrical Code as well as all local jurisdictional codes and regulations
- Any modification of the luminaire will void any and all written or implied warranties
- The manufacture accepts no responsibility for damage to persons or property arising through improper use or installation

INSTALLATION SEQUENCE

- Mount remote driver in accessible well ventilated space
- Ensure power is off before connecting driver to line voltage
- Install the outercasing
- Fix Orma into the outercasing with the screws
- **WARNING:** Be sure secondary wiring is connected to driver **BEFORE** energizing to avoid LED failure
- Energize the power line

Accessories



Accessory (1)
 cod. E98057: Outercasing

Accessory (2)

Accessory (3)

Accessory (4)