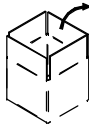
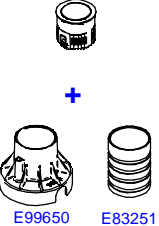
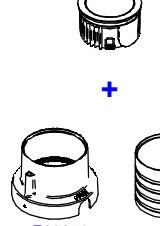
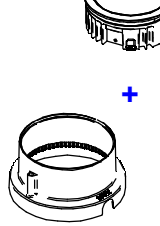
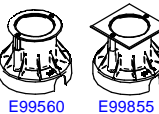


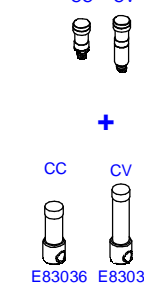
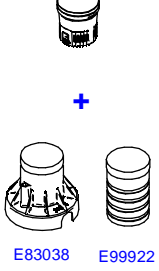
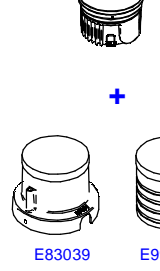
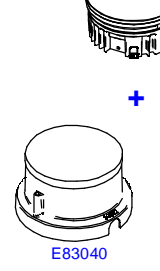
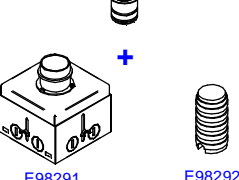







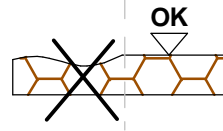
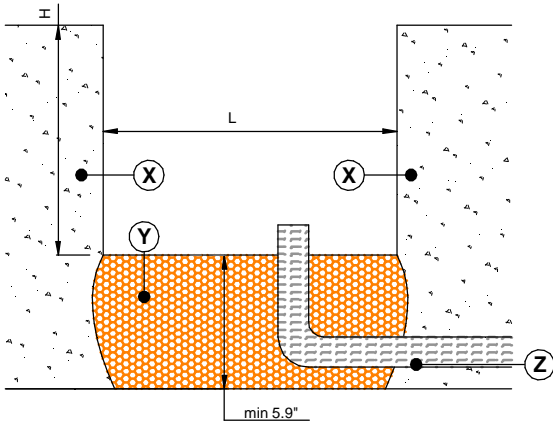
ORMA

 ORMA SEMI-FLUSH TRIM + CONCRETE CASING OR TILE CASING SEQUENCE (A) OR SEQUENCE (E)	MINI	SMALL	MEDIUM	BIG
ORMA FLUSH TRIM + CONCRETE CASING OR TILE CASING SEQUENCE (B) OR SEQUENCE (F)		 E99650 E83251	 E99651 E83252	 E99652 E83253
VANDAL-RESISTANT CASING FOR ORMA FLUSH TRIM (SEMI-FLUSH INSTALLATION) SEQUENCE (C)		 E99560 E99855	 E99563 E99856	 E99564 E99857
ORMA TRIMLESS FLUSH + CONCRETE CASING OR TILE CASING SEQUENCE (D) OR SEQUENCE (G)	 CC CV CC CV BOTH E83036 E83037 E99925	 E83038 E99922	 E83039 E99923	 E83040 E99924
ORMA SEMI-FLUSH TRIM CONCENTRIC RINGS + CONCRETE CASING OR TILE CASING SEQUENCE (I) OR SEQUENCE (H)	 E98291 E98292			

 WARNING: INSTALL PRODUCT IN ACCORDANCE WITH LOCAL AND NATIONAL ELECTRICAL CODES BY A QUALIFIED ELECTRICIAN	 WARNING: FAILURE TO COMPLY WITH THE INSTALLATION INSTRUCTIONS MAY RESULT IN DEATH OR SEVERE INJURY.	 WARNING: READ ALL SAFETY INSTRUCTIONS INCLUDED WITH LUMINAIRE BEFORE INSTALLING LUMINAIRE. SAVE INSTRUCTIONS FOR FUTURE USE.
CAUTION: THIS IS AN ELECTRONIC DEVICE. CARE MUST BE TAKEN DURING STORAGE AND HANDLING. STORE IN A CLEAN, COOL AND DRY LOCATION. ELECTROSTATIC DISCHARGE (ESD) CAN HARM THIS PRODUCT. AVOID STATIC DISCHARGE WHILE HANDLING THIS PRODUCT.	CAUTION: INTER-LUX IS NOT RESPONSIBLE FOR THE STRUCTURAL INTEGRITY OF THE BUILDING TO SUPPORT THE LUMINAIRE. ADDITIONAL BACKING MAY BE REQUIRED.	
LOCATE AND REVIEW ANY CONSTRUCTION PLANS AND INTER-LUX RECORD DRAWINGS FOR ALL FIXTURE RUNS. IT IS RECOMMENDED TO LOCARE AND LAY OUT ALL COMPONENTS FOR EACH FIXTURE "RUN". A FIXTURE RUN TYPICALLY CONSISTS OF JOINERS, LENGTHS OF HOUSING, AND ENDCAPS. BE SURE TO IDENTIFY ALL CORRECT LENGTHS FOR EACH FIXTURE RUN.		

INSTALLATION INSTRUCTIONS

PREPARATION FOR CONCRETE HOUSING



- (X) PRE-EXISTING CONCRETE FLOOR (NOT MANDATORY)
- (Y) DRAINAGE LAYER
- (Z) CONDUIT

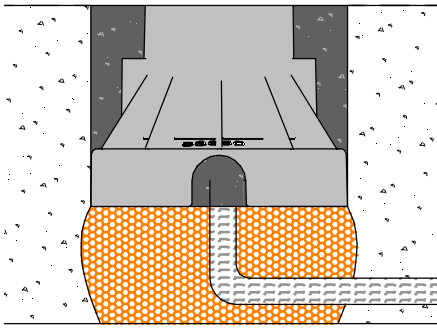
ART.		MINI	SMALL	MEDIUM	BIG
ALL ORMA TRIM	L	/	3.82"	4.49"	6.07"
	H	/	3"		
ALL ORMA TRIMLESS	L	1.15"	3.82"	4.49"	6.07"
	H	E83036: 3.31" E83037: 4.41"	3.47"		

ATTENTION!!!

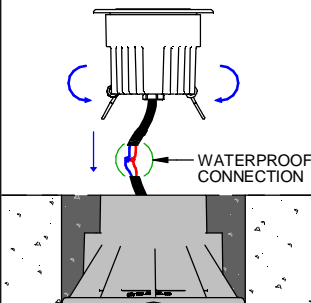
If a drainage layer is not feasible for any reason, please provide a drainage pipe.

A ORMA SEMI-FLUSH TRIM (FIXED, ADJUSTABLE, FROSTED, BLADE, WALL WASHER)

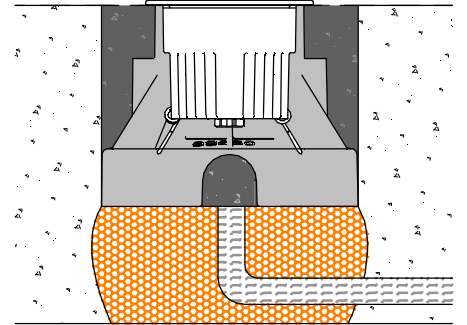
A.1 PLACE THE OUTER CASING INTO THE OPENING AND FILL THE GAP WITH CONCRETE (DARK GREY ZONE IN THE DRAWING BELOW)



A.2 ONCE THE CONCRETE HAS SET, MAKE THE WIRINGS AS SHOWN IN THE WIRING DIAGRAM, OPEN THE SPRINGS AND INSERT THE FIXTURE INTO THE OUTER CASING

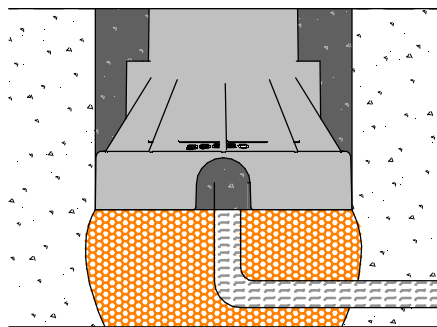


A.3 INSTALLATION COMPLETED

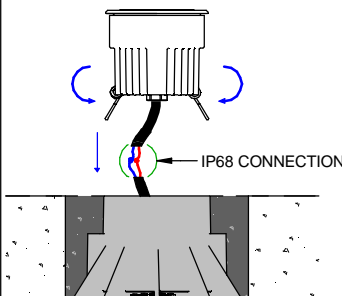


B ORMA FLUSH TRIM (FIXED, ADJUSTABLE, FROSTED, BLADE, WALL WASHER)

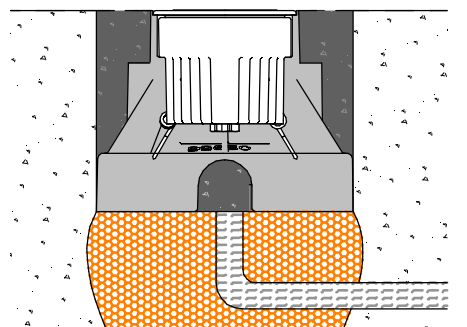
B.1 PLACE THE OUTER CASING INTO THE OPENING AND FILL THE GAP WITH CONCRETE (DARK GREY ZONE IN THE DRAWING BELOW)



B.2 ONCE THE CONCRETE HAS SET, MAKE THE WIRINGS AS SHOWN IN THE WIRING DIAGRAM, OPEN THE SPRINGS AND INSERT THE FIXTURE INTO THE OUTER CASING

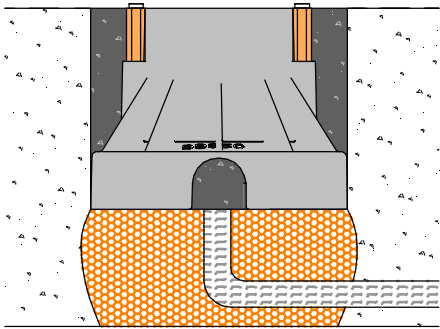


B.3 INSTALLATION COMPLETED

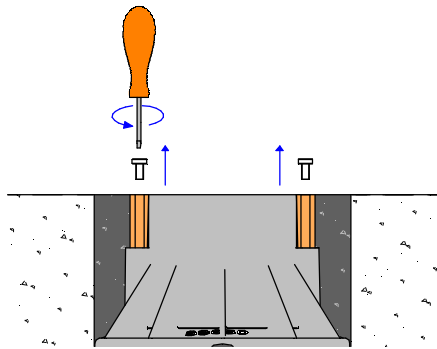


C ORMA FLUSH TRIM (FIXED, ADJUSTABLE, FROSTED, WALL WASHER, BLADE) WITH VANDAL-RESISTANT OUTER CASING (SEMI-FLUSH INSTALLATION)

C.1 PLACE THE OUTER CASING INTO THE OPENING AND FILL THE GAP WITH CONCRETE (DARK GREY ZONE IN THE DRAWING BELOW). LET THE CONCRETE SET.

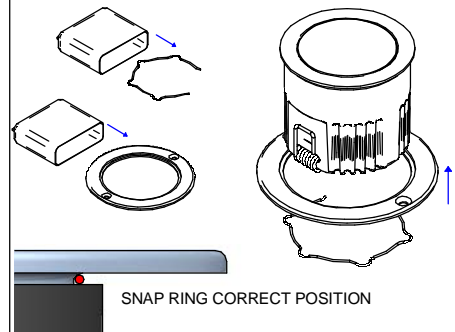


C.2 REMOVE THE PLASTIC SCREWS AND THE FRAME BEFORE THE INSTALLATION.



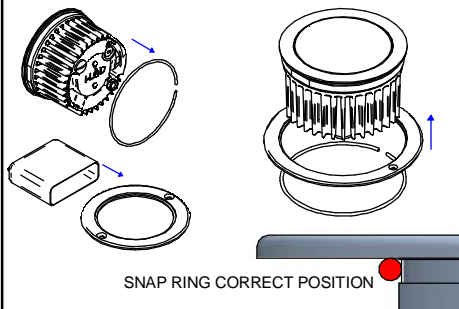
C.3 INSERT THE FIXTURE INTO THE FLANGE AND LOCK THE SNAP RING (INCLUDED) AS SHOWN TO SECURE THE FIXTURE TO THE FLANGE.

ORMA SMALL

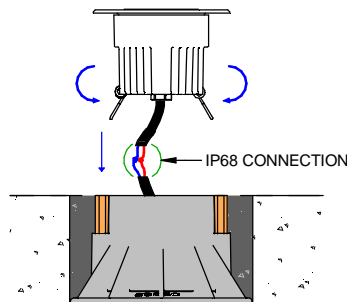


C.3 INSERT THE FIXTURE INTO THE FLANGE AND LOCK THE SNAP RING (INCLUDED) AS SHOWN TO SECURE THE FIXTURE TO THE FLANGE.

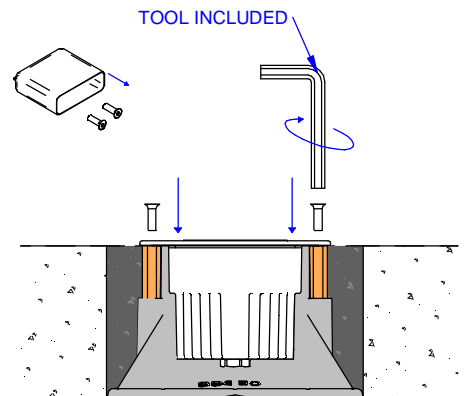
ORMA MEDIUM / BIG



C.4 MAKE THE WIRINGS AS SHOWN IN THE WIRING DIAGRAM, OPEN THE SPRINGS AND INSERT THE FIXTURE INTO THE OUTER CASING

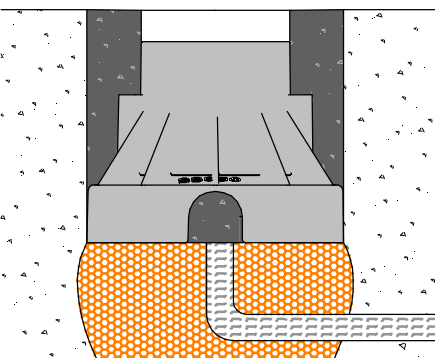


C.5 SECURE THE FLANGE WITH THE SCREWS TO COMPLETE THE INSTALLATION

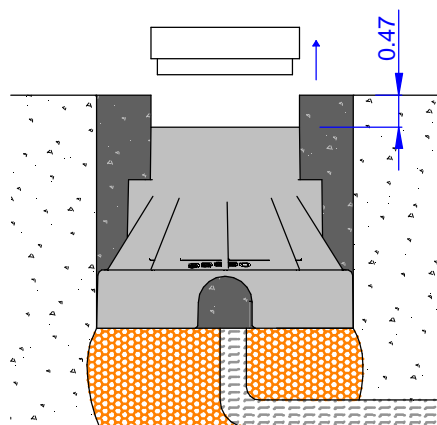


D ORMA TRIMLESS FLUSH (FIXED, ADJUSTABLE, FROSTED, CONCENTRIC RINGS)

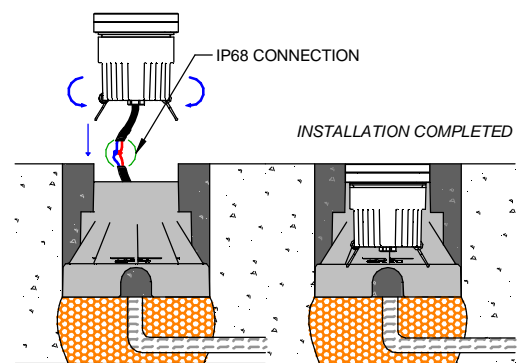
D.1 PLACE THE OUTER CASING INTO THE OPENING AND FILL THE GAP WITH CONCRETE (DARK GREY ZONE IN THE DRAWING BELOW)



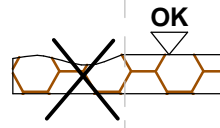
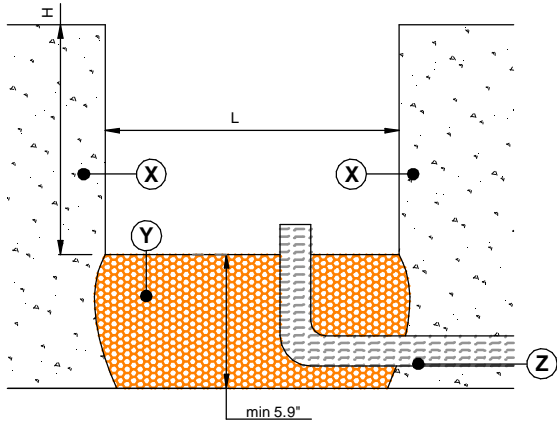
D.2 ONCE THE CONCRETE HAS SET, REMOVE THE POLYSTYRENE CAP



D.3 MAKE THE WIRINGS AS SHOWN IN THE WIRING DIAGRAM, OPEN THE SPRINGS AND INSERT THE FIXTURE INTO THE OUTER CASING



PREPARATION FOR TILE HOUSING



- (X) PRE-EXISTING CONCRETE FLOOR
- (Y) DRAINAGE LAYER
- (Z) CONDUIT

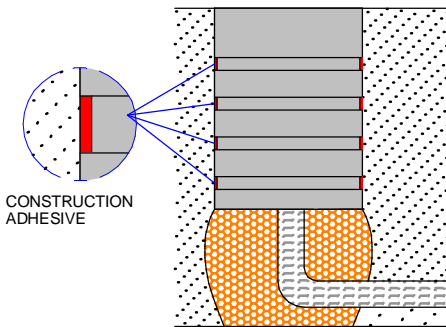
ART.		MINI	SMALL	MEDIUM	BIG
ALL ORMA TRIM	L	/	2.25"	3.47"	5.05"
	H	/	3"		
ALL ORMA TRIMLESS	L	1.15"	2.25"	3.47"	5.05"
	H	3.78"	3.47"		
ORMA SEMI-FLUSH CONCENTRIC RINGS	L	1.69"	/	/	/
	H	3.15"	/	/	/

ATTENTION!!!

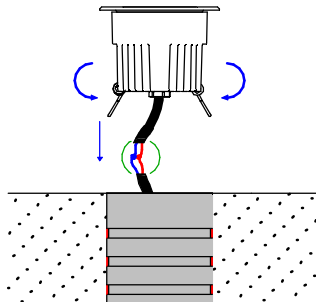
If a drainage layer is not feasible for any reason, please provide a drainage pipe.

(E) ORMA SEMI-FLUSH TRIM (FIXED, ADJUSTABLE, FROSTED, BLADE, WALL WASHER)

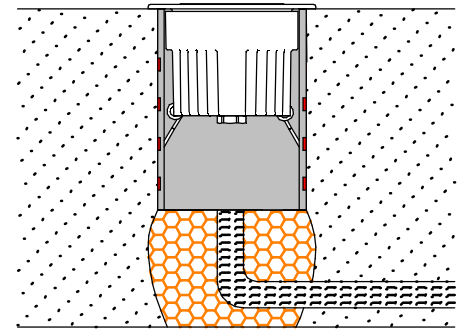
(E.1) APPLY THE CONSTRUCTION ADHESIVE TO THE OUTER CASING AND INSERT IT INTO THE OPENING



(E.2) ONCE THE ADHESIVE HAS DRIED, MAKE THE WIRINGS AS SHOWN IN THE WIRING DIAGRAM, OPEN THE SPRINGS AND INSERT THE FIXTURE INTO THE OUTER CASING

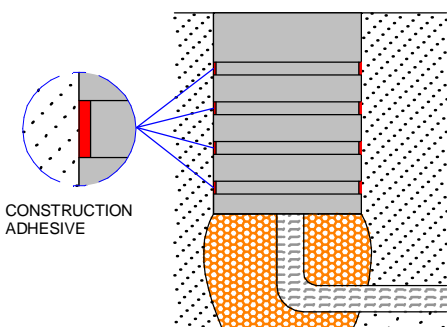


(E.3) INSTALLATION COMPLETED

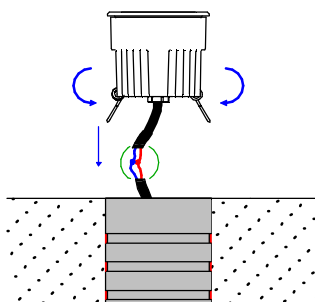


(F) ORMA FLUSH TRIM (FIXED, ADJUSTABLE, FROSTED, BLADE, WALL WASHER)

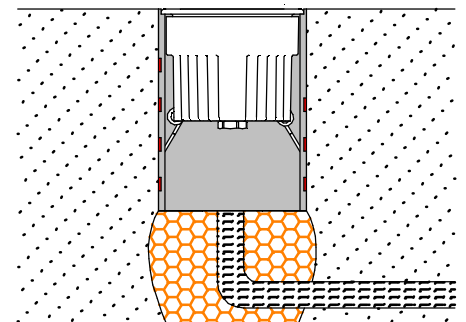
(F.1) APPLY THE CONSTRUCTION ADHESIVE TO THE OUTER CASING AND INSERT IT INTO THE OPENING



(F.2) ONCE THE ADHESIVE HAS DRIED, MAKE THE WIRINGS AS SHOWN IN THE WIRING DIAGRAM, OPEN THE SPRINGS AND INSERT THE FIXTURE INTO THE OUTER CASING

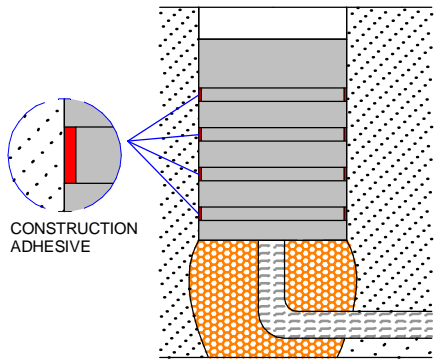


(F.3) INSTALLATION COMPLETED

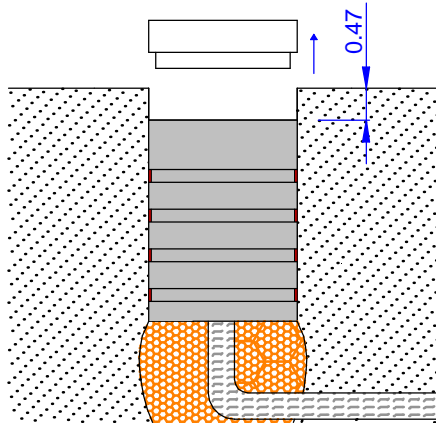


G ORMA TRIMLESS FLUSH (FIXED, ADJUSTABLE, FROSTED, CONCENTRIC RINGS)

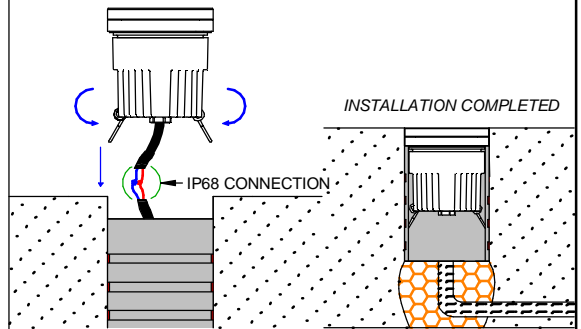
G.1 APPLY THE CONSTRUCTION ADHESIVE TO THE OUTER CASING AND INSERT IT INTO THE OPENING



G.2 ONCE THE ADHESIVE HAS DRIED, REMOVE THE POLYSTYRENE CAP

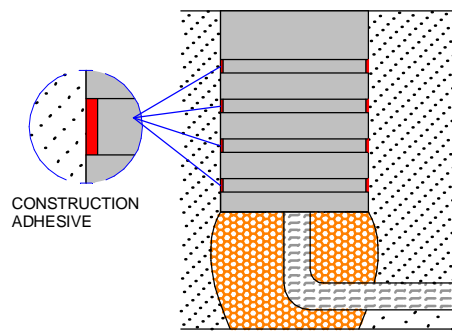


G.3 MAKE THE WIRINGS AS SHOWN IN THE WIRING DIAGRAM, OPEN THE SPRINGS AND INSERT THE FIXTURE INTO THE OUTER CASING

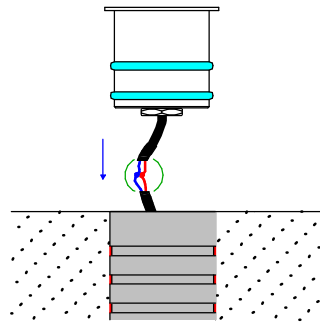


H ORMA SEMI-FLUSH TRIM CONCENTRIC RINGS

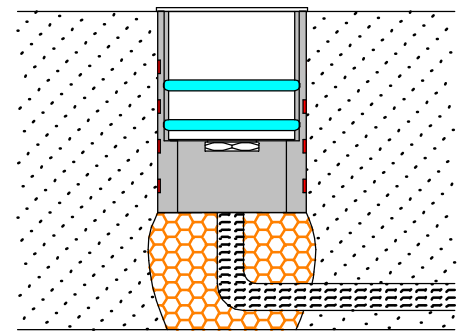
H.1 APPLY THE CONSTRUCTION ADHESIVE TO THE OUTER CASING AND INSERT IT INTO THE OPENING



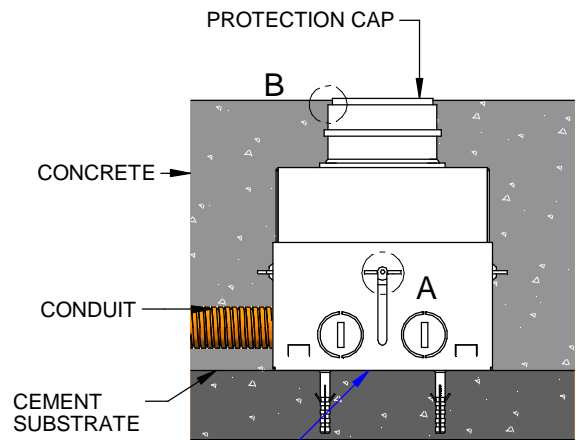
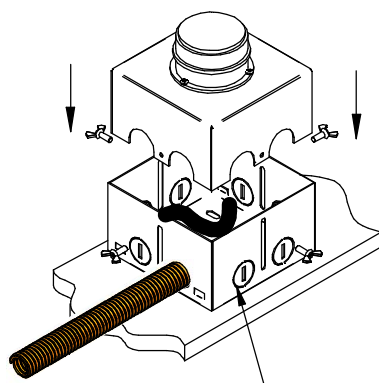
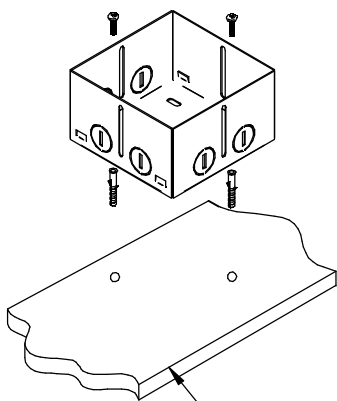
H.2 ONCE THE ADHESIVE HAS DRIED, REMOVE THE PROTECTIVE CAP, MAKE THE WIRINGS AS SHOWN IN THE WIRING DIAGRAM, MOUNT THE O-RING ON THE FIXTURE, LUBRICATE THEM AND INSERT THE FIXTURE INTO THE OUTER CASING



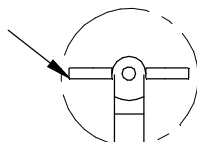
H.3 INSTALLATION COMPLETED



I ORMA SEMI-FLUSH TRIM CONCENTRIC RINGS (CONCRETE CASING)



DETAIL A



DETAIL B

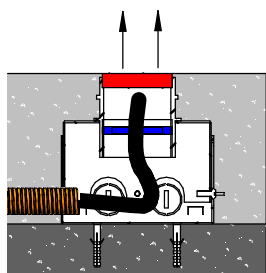


ADJUSTING SCREW

CASING HEIGHT IS ADJUSTABLE FROM 4" TO 5.3"

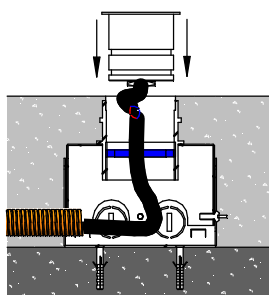
1.1

MOUNT THE CASING ON THE FLOOR WITH THE INCLUDED ANCHORS AND SCREWS. POUR THE CONCRETE. ONCE IT HAS SET, REMOVE THE PROTECTIVE CAP (RED HIGHLIGHTED)



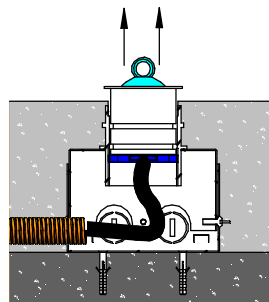
1.2

MAKE THE WIRINGS AS SHOWN ON WIRING DIAGRAM. INSERT THE FIXTURE INTO THE CASING WITHOUT INSTALLING THE O-RINGS.



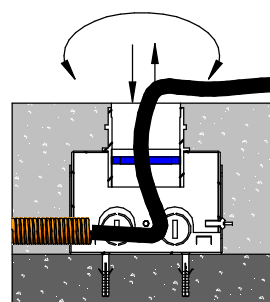
1.3

CHECK THE INTERNAL RING POSITION. THE FIXTURE MUST REST ON THE RING. REMOVE THE FIXTURE WITH THE INCLUDED SUCTION CUP.



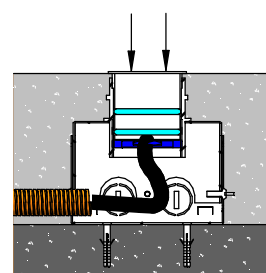
1.4

ROTATE THE RING TO ADJUST THE HEIGHT. REPEAT FROM POINT 1.2 UNTIL IT IS IN THE CORRECT POSITION.



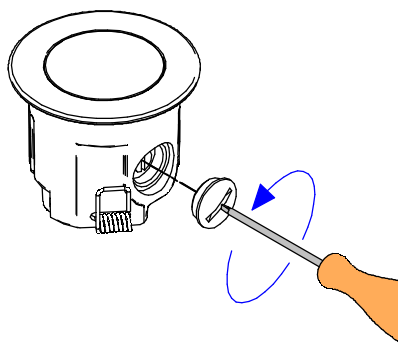
1.5

MOUNT THE TWO O-RINGS ON THE FIXTURE, LUBRICATE AND INSERT THE FIXTURE INTO THE CASING TO COMPLETE THE INSTALLATION.

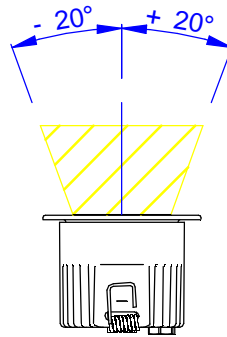
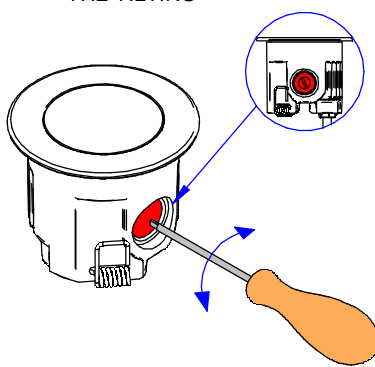


TILT SETTING (ALL ORMA ADJUSTABLE VERSIONS)

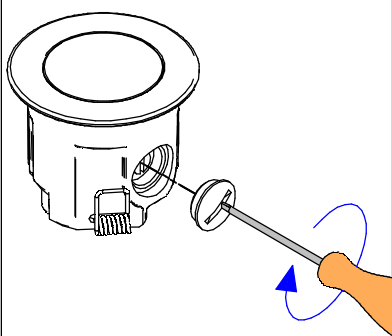
1 REMOVE THE PROTECTION CAP



2 ROTATE THE PIN TO ADJUST THE TILTING

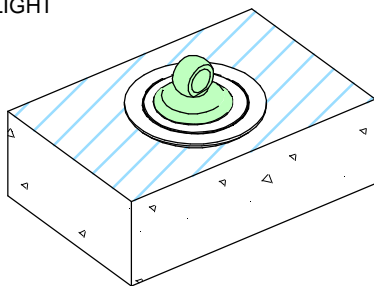


3 CLOSE THE PROTECTION CAP

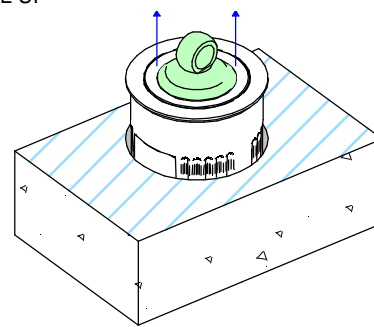


FIXTURE REMOVAL FROM CONCRETE CASING OR TILE CASING

1 APPLY THE SUCTION CUP SUPPLIED WITH THE SPOTLIGHT

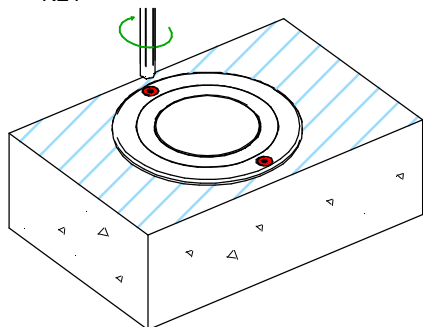


2 PULL UP

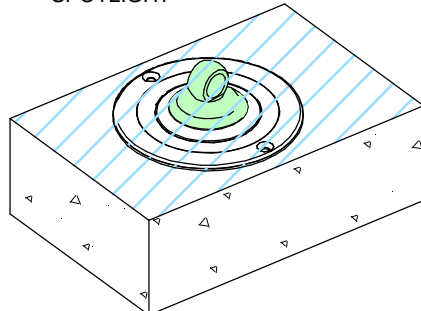


FIXTURE REMOVAL FROM THE VANDAL-RESISTANT CASING

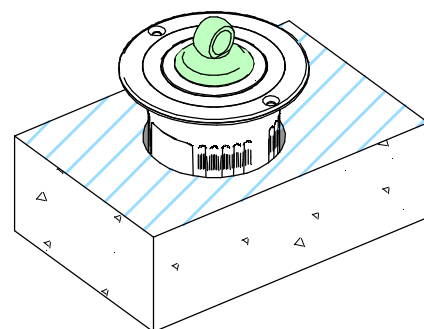
1 UNSCREW THE TWO SCREWS USING THE SUPPLIED SPECIAL KEY



2 APPLY THE SUCTION CUP SUPPLIED WITH THE SPOTLIGHT

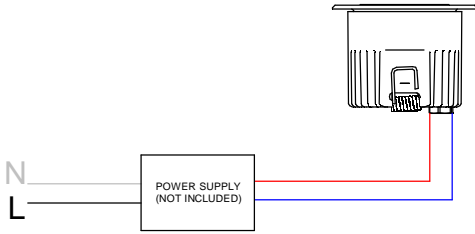


3 PULL UP

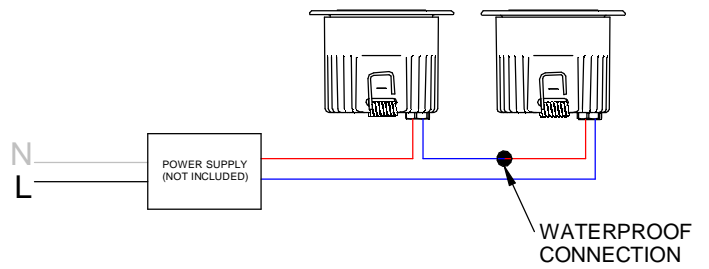


WIRING DIAGRAM

SINGLE ORMA FIXTURE

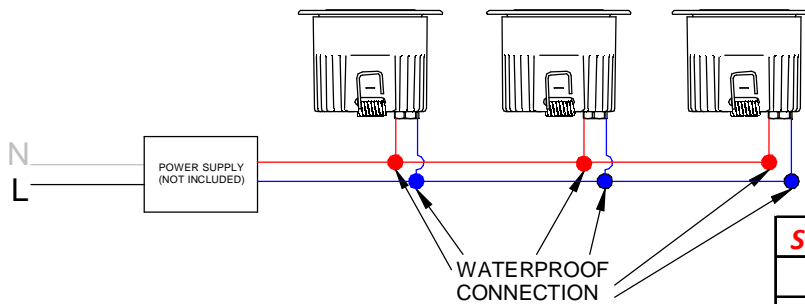


MULTIPLE ORMA FIXTURES WIRED IN SERIES (Constant Current)



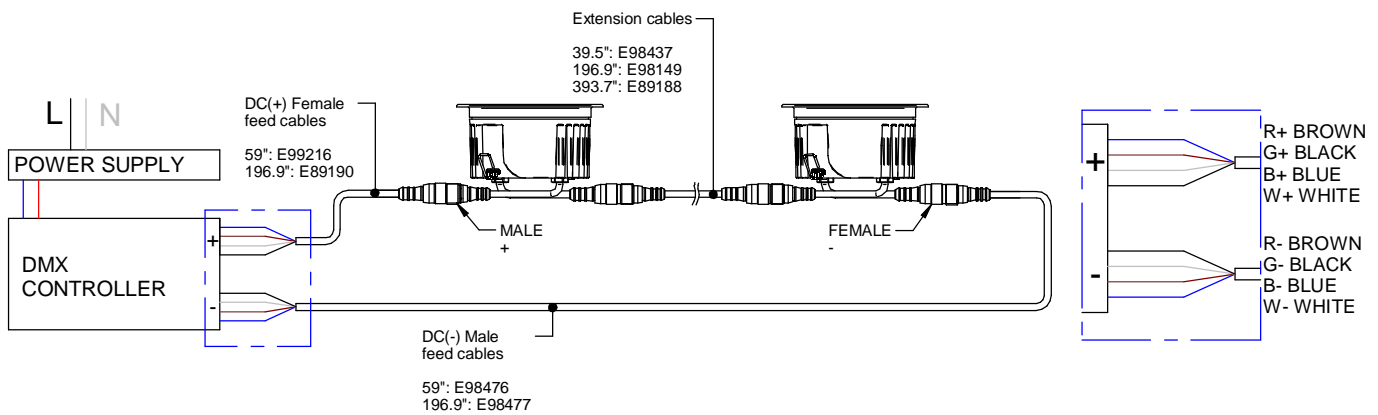
The number of fixtures on a single output will vary depending on the specific LED driver. Refer to the specific wiring diagram on <https://www.inter-lux.com/wiring-diagrams/> and the Constant Current Fixtures per driver table.

MULTIPLE ORMA FIXTURES WIRED IN PARALLEL (24V Constant Voltage)



<i>Secondary Cable Colours</i>	<i>Pole</i>
Red wire	+
Blue or black wire	-

MULTIPLE ORMA RGBW FIXTURES WIRED IN SERIES (Constant Current)



RGBW FIXTURES INCLUDE A 9.8" TAIL WITH MALE 4PIN M12 CONNECTOR AND A 9.8" TAIL WITH FEMALE 4PIN M12 CONNECTOR.

FEED CABLES (E99216/E89190/E98476/E98477) AND EXTENSION CABLES BETWEEN FIXTURES (E98437/E98149/E89188) ORDERED SEPARATELY.

THIS PRODUCT MUST BE INSTALLED IN ACCORDANCE WITH THE APPLICABLE INSTALLATION CODE BY A PERSON FAMILIAR WITH THE CONSTRUCTION AND OPERATION OF THE PRODUCT AND THE HAZARDS INVOLVED

MOUNTING INSTRUCTIONS

READ ALL OF THESE INSTRUCTIONS BEFORE INSTALLING FIXTURES

- CAUTION: USE ONLY WITH CLASS 2 POWER UNIT
- Keep all of the instructions for future reference
- Turn off power before installing fixture
- Installation is to be performed by a qualified electrician only
- All installations must conform to the National Electrical Code as well as all local jurisdictional codes and regulations
- Any modification of the luminaire will void any and all written or implied warranties
- The manufacture accepts no responsibility for damage to persons or property arising through improper use or installation

Constant Current Fixtures per Driver

mA	W	Max. number of fixtures PER OUTPUT (fixtures wired in series)	Max. total fixtures per ECO30W driver (1x output/driver)	Max. total fixtures per SOLO50W driver (2x outputs/driver)	Max. total fixtures per SOLO100W driver (4x outputs/driver)
180mA	7.0W	1	1	2	4
200mA	7.5W	1	1	2	4
220mA	0.6W	10	10	20	40
220mA	0.7W	10	10	20	40
220mA	1.9W	5	5	10	20
220mA	8.0W	1	1	2	4
220mA	9.0W	1	1	2	4
250mA	3.0W	3	3	6	12
300mA	12.0W	1	1	2	4
350mA	1.0W	10	10	20	40
350mA	1.5W	10	10	20	40
350mA	3.0W	5	5	10	20
350mA	4.0W	3	3	6	12
350mA	4.2W	3	3	6	12
350mA	12.0W	1	1	2	4
350mA	13.0W	1	1	2	4
400mA	15.0W	1	1	2	4
450mA	16.0W	1	1	2	4
500mA	1.5W	10	10	20	40
500mA	4.5W	4	4	8	16
500mA	6.0W	3	3	6	12
500mA	6.5W	3	3	4	8
500mA	9.0W	2	2	4	8
500mA	13.0W	1	1	2	4
500mA	14.0W	1	1	2	4
500mA	18.0W	1	1	2	4
500mA	20.0W	1	1	2	4
570mA	63.0W	-	-	-	1
580mA	20.0W	1	1	2	4
630mA	2.0W	10	10	16	32
630mA	2.0W	10	10	16	32
630mA	4.0W	6	6	10	20
630mA	6.0W	3	3	6	12
630mA	7.0W	3	3	4	8
630mA	7.2W	3	3	4	8
630mA	7.5W	3	3	4	8
630mA	8.0W	3	3	4	8
630mA	9.0W	2	2	4	8
630mA	12.0W	2	2	2	4
630mA	18.0W	1	1	2	4
630mA	23.0W	1	1	1	3
630mA	24.0W	1	1	1	3
660mA	45.0W	-	-	-	1
700mA	2.0W	10	10	16	32
700mA	6.3W	3	3	6	12
700mA	6.5W	3	3	4	8
700mA	8.0W	3	3	4	8
700mA	13.0W	1	1	2	4
700mA	21.0W	1	1	1	3
700mA	24.0W	1	1	1	3
700mA	25.0W	-	-	1	3
800mA	10.0W	2	2	2	4
840mA	30.0W	-	-	1	2
850mA	60.0W	-	-	-	1
900mA	33.0W	-	-	1	2
900mA	40.0W	-	-	1	2
900mA	42.0W	-	-	1	2
950mA	34.0W	-	-	1	2
950mA	35.0W	-	-	1	2
1050mA	48.0W	-	-	-	1
1250mA	45.0W	-	-	-	1
1250mA	46.0W	-	-	-	1
1300mA	46.0W	-	-	-	1
1850mA	54.0W	-	-	-	1

Consult factory for any combination not listed above.