

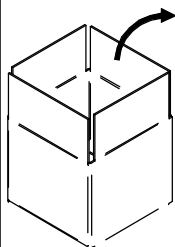


VEDETTE_Q / VEDETTE_R

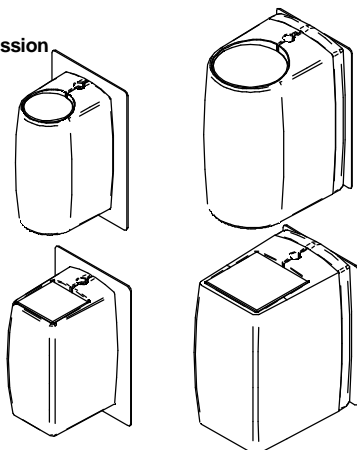
Single Emission and Double Emission
 Vedette_Q / Vedette_R up to 8W

Vedette_Q blade up to 12W

Vedette_Q asymmetric



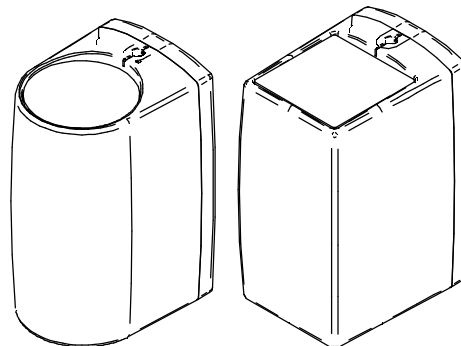
A



B

Single Emission 15W and Double Emission 26W
 Vedette_Q / Vedette_R

Vedette_Q blade 24W



WARNING:

INSTALL PRODUCT IN ACCORDANCE WITH LOCAL AND NATIONAL ELECTRICAL CODES BY A QUALIFIED ELECTRICIAN



WARNING:

FAILURE TO COMPLY WITH THE INSTALLATION INSTRUCTIONS MAY RESULT IN DEATH OR SEVERE INJURY.



WARNING:

READ ALL SAFETY INSTRUCTIONS INCLUDED WITH LUMINAIRE BEFORE INSTALLING LUMINAIRE. SAVE INSTRUCTIONS FOR FUTURE USE.

CAUTION:

THIS IS AN ELECTRONIC DEVICE. CARE MUST BE TAKEN DURING STORAGE AND HANDLING. STORE IN A CLEAN, COOL AND DRY LOCATION. ELECTROSTATIC DISCHARGE (ESD) CAN HARM THIS PRODUCT. AVOID STATIC DISCHARGE WHILE HANDLING THIS PRODUCT.

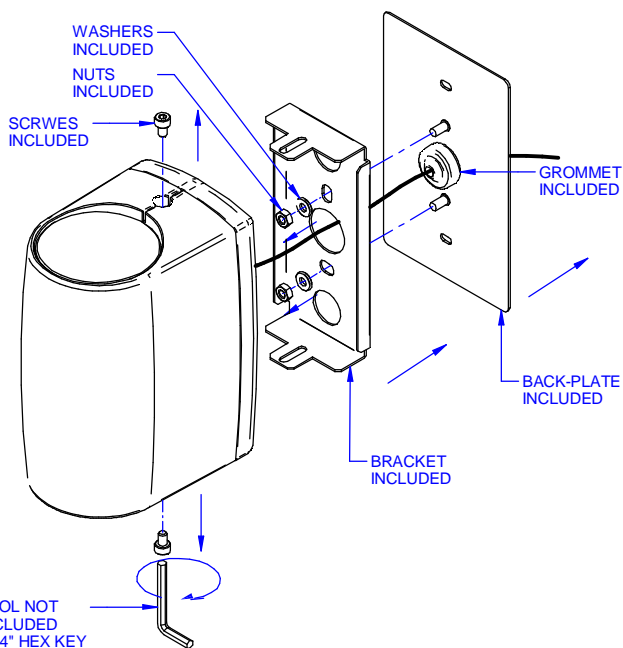
CAUTION:

INTER-LUX IS NOT RESPONSIBLE FOR THE STRUCTURAL INTEGRITY OF THE BUILDING TO SUPPORT THE LUMINAIRE. ADDITIONAL BACKING MAY BE REQUIRED.

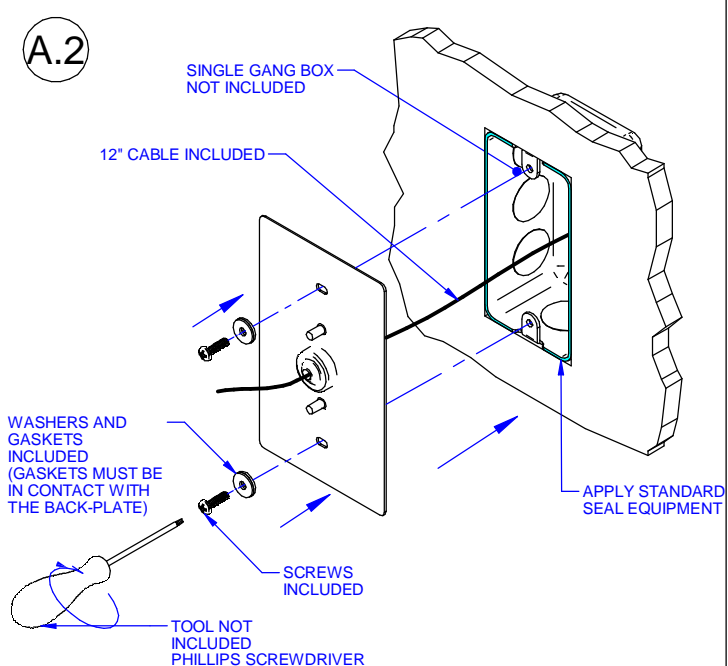
LOCATE AND REVIEW ANY CONSTRUCTION PLANS AND INTER-LUX RECORD DRAWINGS FOR ALL FIXTURE RUNS. IT IS RECOMMENDED TO LOCARE AND LAY OUT ALL COMPONENTS FOR EACH FIXTURE "RUN". A FIXTURE RUN TYPICALLY CONSISTS OF JOINERS, LENGTHS OF HOUSING, AND ENDCAPS. BE SURE TO IDENTIFY ALL CORRECT LENGTHS FOR EACH FIXTURE RUN.

SMALL AND MEDIUM VEDETTE WITH BACKPLATE

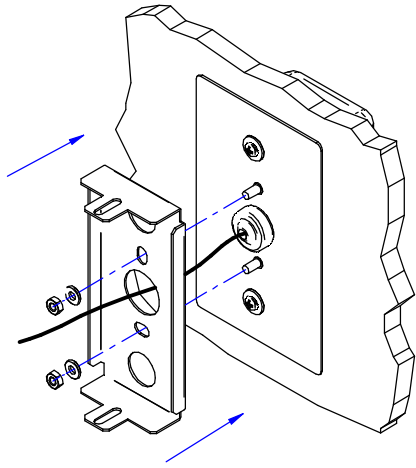
A.1



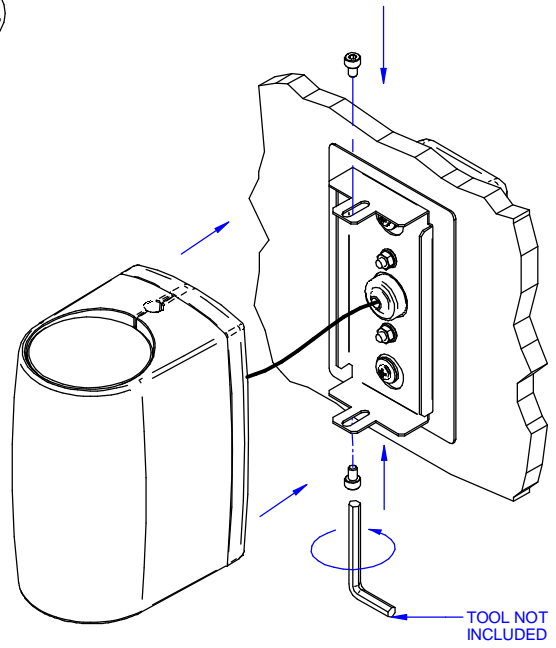
A.2



A.3

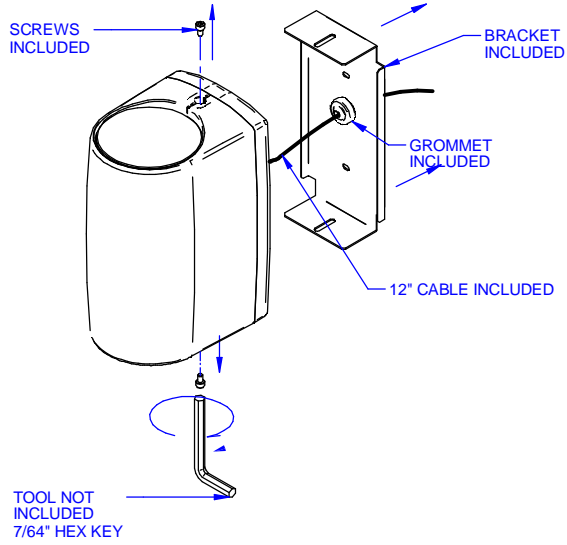


A.4

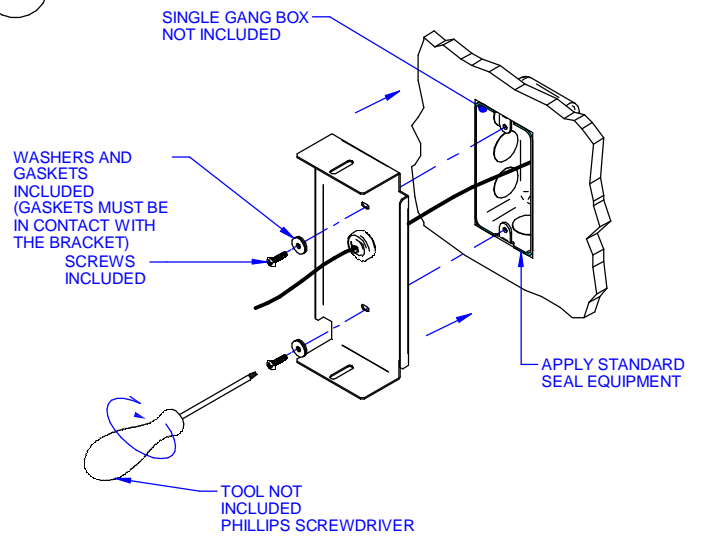


BIG VEDETTE WITHOUT BACKPLATE

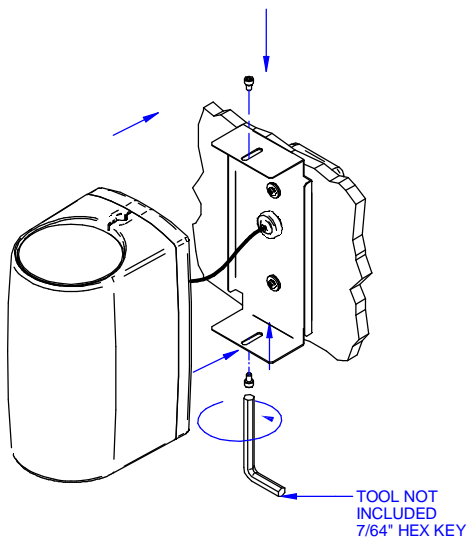
B.1



B.2



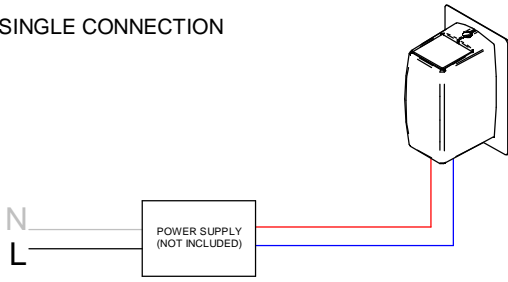
B.3



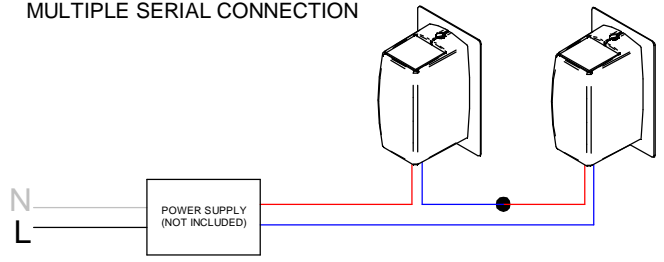
WIRING DIAGRAM

REMOTE DRIVER VERSION

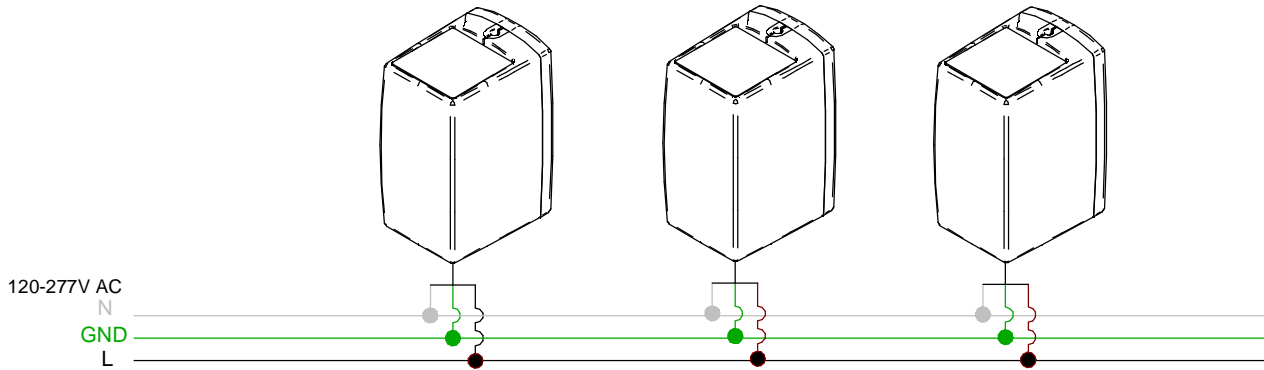
SINGLE CONNECTION



MULTIPLE SERIAL CONNECTION



INTEGRAL DRIVER VERSION



THIS PRODUCT MUST BE INSTALLED IN ACCORDANCE WITH THE APPLICABLE INSTALLATION CODE BY A PERSON FAMILIAR WITH THE CONSTRUCTION AND OPERATION OF THE PRODUCT AND THE HAZARDS INVOLVED

MOUNTING INSTRUCTIONS

READ ALL OF THESE INSTRUCTIONS BEFORE INSTALLING FIXTURES

- CAUTION: USE ONLY WITH CLASS 2 POWER UNIT
- Keep all of the instructions for future reference
- Turn off power before installing fixture
- Installation is to be performed by a qualified electrician only
- All installations must conform to the National Electrical Code as well as all local jurisdictional codes and regulations
- Any modification of the luminaire will void any and all written or implied warranties
- The manufacture accepts no responsibility for damage to persons or property arising through improper use or installation

INSTALLATION SEQUENCE

- Mount remote driver in accessible well ventilated space (ONLY FOR REMOTE DRIVER VERSION)
- Ensure power is off before connecting driver to line voltage
- Remove the back-plate and the bracket [A.1] or the bracket only [B.1] from the Vedette
- Make the wirings following the appropriate scheme in the wiring diagram.
- Fix the back-plate on the junction box [A.2] or the bracket [B.2] with the screws, the gaskets and the washers. The gasket must be in contact with the back-plate [A.2] or the bracket [B.2]
- Fix the bracket on the back-plate with the washers and the nuts [A.3]
- Fix the Vedette on the bracket with the screws [A.4 - B.3]
- WARNING - For driver remote version, be sure secondary wiring is connected to driver BEFORE energizing to avoid LED failure
- Energize

Secondary Cable Colours	Pole
Red wire	+
Blue wire	-
Mains Cable Colours	Pole
Black wire	L
White wire	N
Green wire	Earth