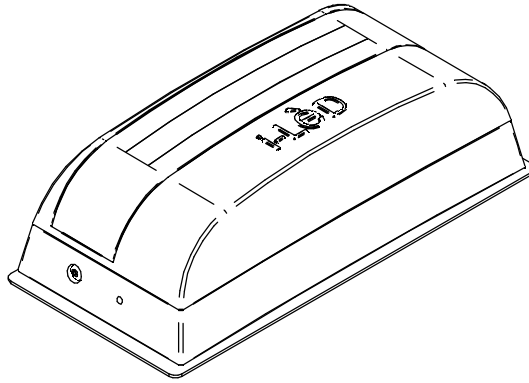
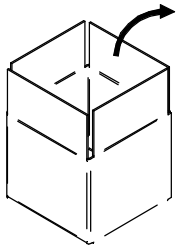


**ARCADA****WARNING:**

INSTALL PRODUCT IN ACCORDANCE WITH LOCAL AND NATIONAL ELECTRICAL CODES BY A QUALIFIED ELECTRICIAN

**WARNING:**

FAILURE TO COMPLY WITH THE INSTALLATION INSTRUCTIONS MAY RESULT IN DEATH OR SEVERE INJURY.

**WARNING:**

READ ALL SAFETY INSTRUCTIONS INCLUDED WITH LUMINAIRE BEFORE INSTALLING LUMINAIRE. SAVE INSTRUCTIONS FOR FUTURE USE.

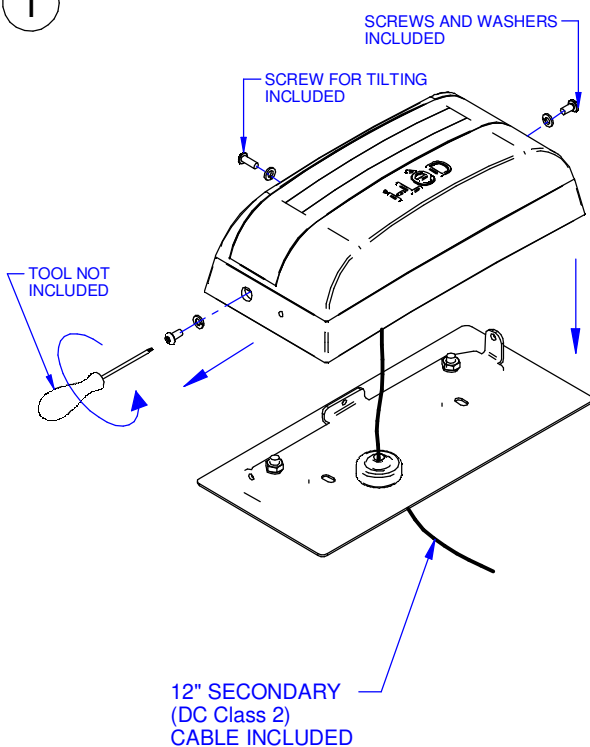
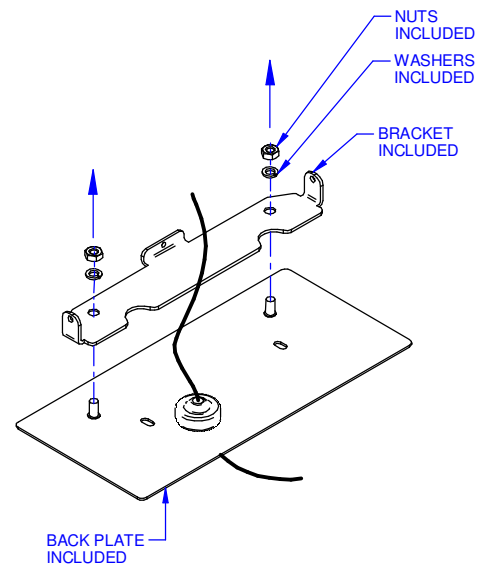
CAUTION:

THIS IS AN ELECTRONIC DEVICE. CARE MUST BE TAKEN DURING STORAGE AND HANDLING. STORE IN A CLEAN, COOL AND DRY LOCATION. ELECTROSTATIC DISCHARGE (ESD) CAN HARM THIS PRODUCT. AVOID STATIC DISCHARGE WHILE HANDLING THIS PRODUCT.

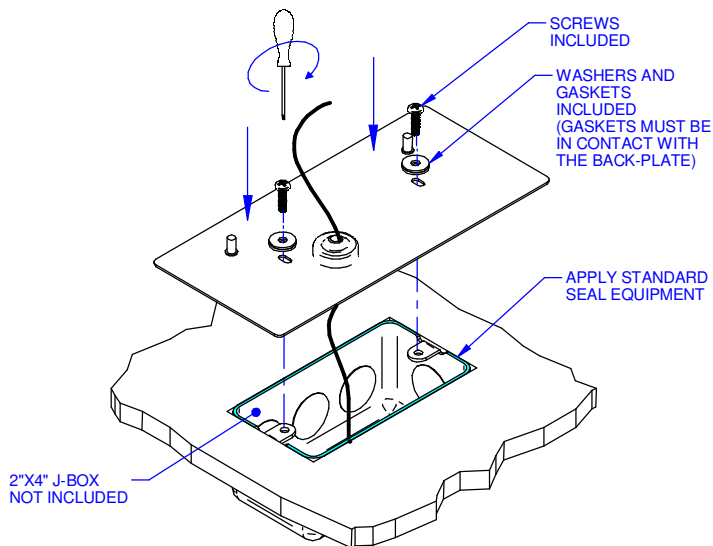
CAUTION:

INTER-LUX IS NOT RESPONSIBLE FOR THE STRUCTURAL INTEGRITY OF THE BUILDING TO SUPPORT THE LUMINAIRE. ADDITIONAL BACKING MAY BE REQUIRED.

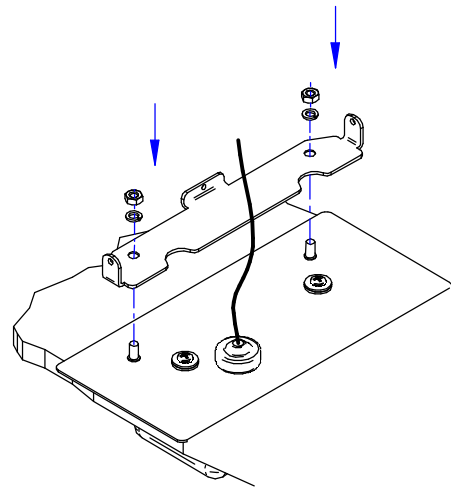
LOCATE AND REVIEW ANY CONSTRUCTION PLANS AND INTER-LUX RECORD DRAWINGS FOR ALL FIXTURE RUNS. IT IS RECOMMENDED TO LOCARE AND LAY OUT ALL COMPONENTS FOR EACH FIXTURE "RUN". A FIXTURE RUN TYPICALLY CONSISTS OF JOINERS, LENGTHS OF HOUSING, AND ENDCAPS. BE SURE TO IDENTIFY ALL CORRECT LENGTHS FOR EACH FIXTURE RUN.

INSTALLATION INSTRUCTIONS**1****2**

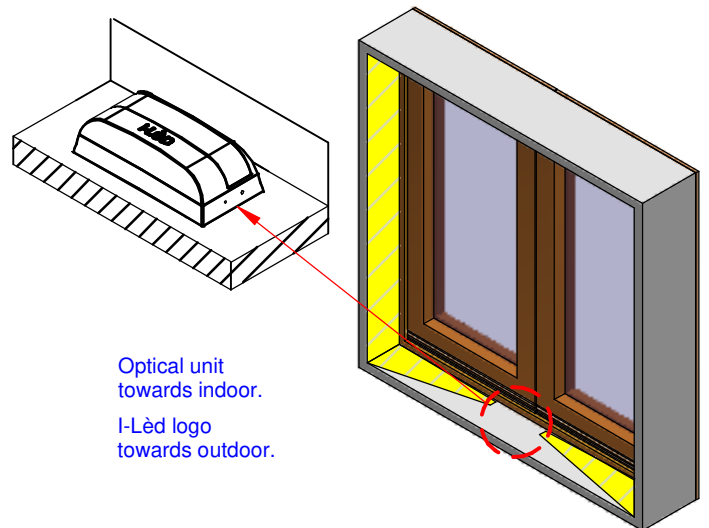
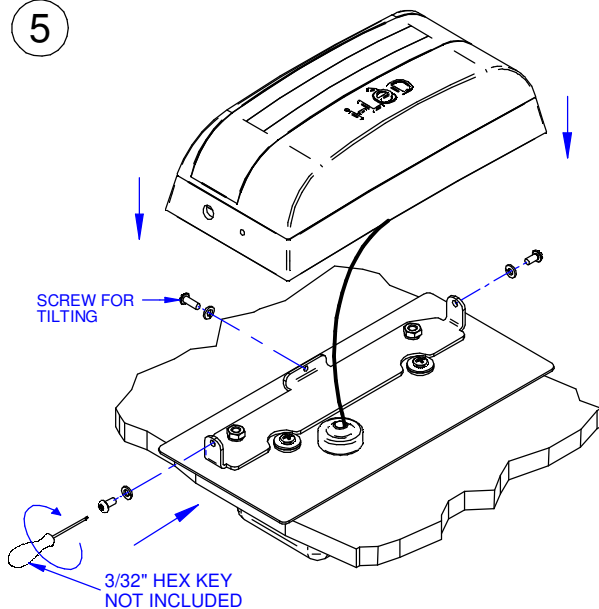
3



4



5

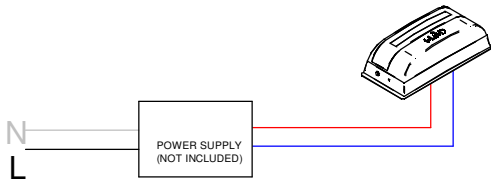


INSTALLATION SEQUENCE

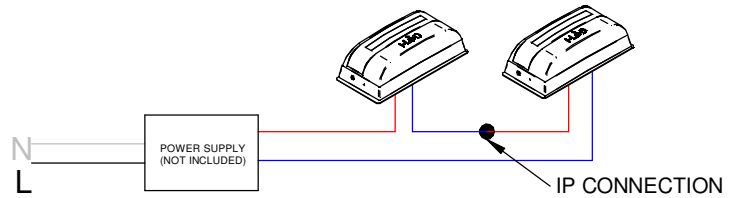
- Mount remote driver in accessible well ventilated space
- Ensure power is off before connecting driver to line voltage
- Remove the black-plate from the Arcada [1]
- Connect secondary wiring to fixture wiring on the junction box
- Remove the mounting bracket from the back-plate [2]
- Fix the back-plate on the j-box with the screws, the gaskets and the washers. The gasket must be in contact with the back plate [3]
- Assemble the mounting bracket on the back-plate with the washers and the nuts [4]
- Secure the Arcada on the mounting bracket with the screws, and adjust the tilting [5]
- **WARNING:** Be sure secondary wiring is connected to driver BEFORE energizing to avoid LED failure
- Energize

WIRING DIAGRAM

SINGLE FIXTURE



MULTIPLE FIXTURE WIRED IN SERIES (Constant Current)



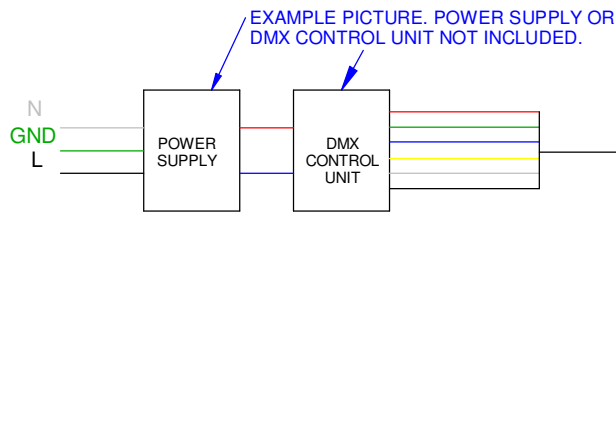
The number of fixtures on a single output will vary depending on the specific LED driver.

Refer to the specific wiring diagram on <https://www.inter-lux.com/wiring-diagrams/> and the Constant Current Fixtures per driver table.

ARCADA Drive current level for each fixture:
 4W fixture driven @ 350mA
 8W fixture driven @ 630mA

<i>Secondary Cable Colours</i>	<i>Pole</i>
Red wire	+
Blue wire	-

RGB WIRING



*** IP CONNECTION**

LED COLOR	CABLE COLOR +	CABLE COLOR -
RED	RED	YELLOW
GREEN	ORANGE	BROWN
BLUE	BLUE	BLACK

The number of fixtures on a single output will vary depending on the specific LED driver.

Refer to the specific wiring diagram on <https://www.inter-lux.com/wiring-diagrams/> and the Constant Current Fixtures per driver table.

ARCADA Drive current level for each fixture:
 8W (total) fixture driven @ 220mA per channel (2.6W 12V 220mA each)

THIS PRODUCT MUST BE INSTALLED IN ACCORDANCE WITH THE APPLICABLE INSTALLATION CODE BY A PERSON FAMILIAR WITH THE CONSTRUCTION AND OPERATION OF THE PRODUCT AND THE HAZARDS INVOLVED

MOUNTING INSTRUCTIONS

READ ALL OF THESE INSTRUCTIONS BEFORE INSTALLING FIXTURES

- CAUTION: USE ONLY WITH CLASS 2 POWER UNIT
- Keep all of the instructions for future reference
- Turn off power before installing fixture
- Installation is to be performed by a qualified electrician only
- All installations must conform to the National Electrical Code as well as all local jurisdictional codes and regulations
- Any modification of the luminaire will void any and all written or implied warranties
- The manufacture accepts no responsibility for damage to persons or property arising through improper use or installation

Constant Current Fixtures per Driver

mA	W	Max. number of fixtures PER OUTPUT (fixtures wired in series)	Max. total fixtures per ECO30W driver (1x output/driver)	Max. total fixtures per SOLO50W driver (2x outputs/driver)	Max. total fixtures per SOLO100W driver (4x outputs/driver)
180mA	7.0W	1	1	2	4
200mA	7.5W	1	1	2	4
220mA	0.6W	10	10	20	40
220mA	0.7W	10	10	20	40
220mA	1.9W	5	5	10	20
220mA	8.0W	1	1	2	4
220mA	9.0W	1	1	2	4
250mA	3.0W	3	3	6	12
300mA	12.0W	1	1	2	4
350mA	1.0W	10	10	20	40
350mA	1.5W	10	10	20	40
350mA	3.0W	5	5	10	20
350mA	4.0W	3	3	6	12
350mA	4.2W	3	3	6	12
350mA	12.0W	1	1	2	4
350mA	13.0W	1	1	2	4
400mA	15.0W	1	1	2	4
450mA	16.0W	1	1	2	4
500mA	1.5W	10	10	20	40
500mA	4.5W	4	4	8	16
500mA	6.0W	3	3	6	12
500mA	6.5W	3	3	4	8
500mA	9.0W	2	2	4	8
500mA	13.0W	1	1	2	4
500mA	14.0W	1	1	2	4
500mA	18.0W	1	1	2	4
500mA	20.0W	1	1	2	4
570mA	63.0W	-	-	-	1
580mA	20.0W	1	1	2	4
630mA	2.0W	10	10	16	32
630mA	2.0W	10	10	16	32
630mA	4.0W	6	6	10	20
630mA	6.0W	3	3	6	12
630mA	7.0W	3	3	4	8
630mA	7.2W	3	3	4	8
630mA	7.5W	3	3	4	8
630mA	8.0W	3	3	4	8
630mA	9.0W	2	2	4	8
630mA	12.0W	2	2	2	4
630mA	18.0W	1	1	2	4
630mA	23.0W	1	1	1	3
630mA	24.0W	1	1	1	3
660mA	45.0W	-	-	-	1
700mA	2.0W	10	10	16	32
700mA	6.3W	3	3	6	12
700mA	6.5W	3	3	4	8
700mA	8.0W	3	3	4	8
700mA	13.0W	1	1	2	4
700mA	21.0W	1	1	1	3
700mA	24.0W	1	1	1	3
700mA	25.0W	-	-	1	3
800mA	10.0W	2	2	2	4
840mA	30.0W	-	-	1	2
850mA	60.0W	-	-	-	1
900mA	33.0W	-	-	1	2
900mA	40.0W	-	-	1	2
900mA	42.0W	-	-	1	2
950mA	34.0W	-	-	1	2
950mA	35.0W	-	-	1	2
1050mA	48.0W	-	-	-	1
1250mA	45.0W	-	-	-	1
1250mA	46.0W	-	-	-	1
1300mA	46.0W	-	-	-	1
1850mA	54.0W	-	-	-	1

Consult factory for any combination not listed above.