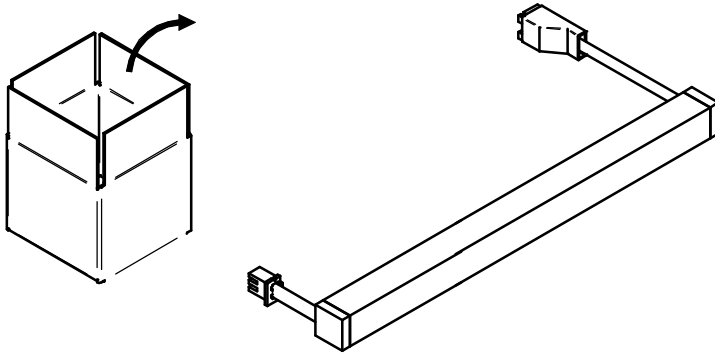
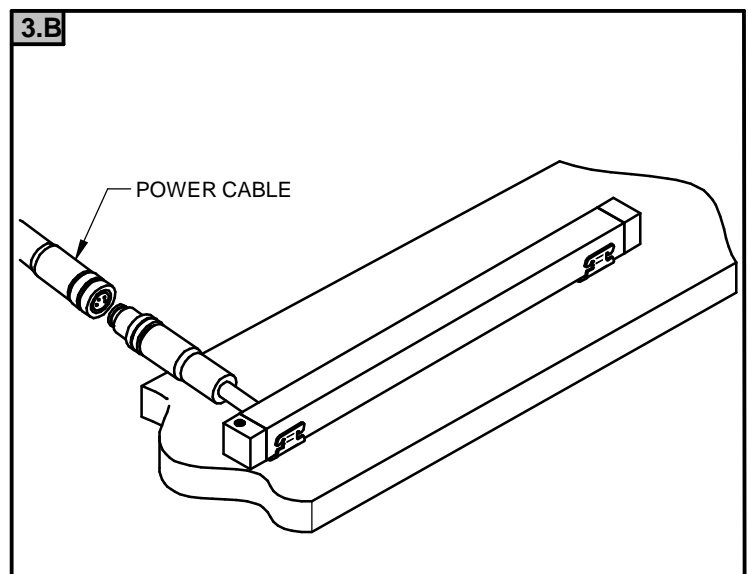
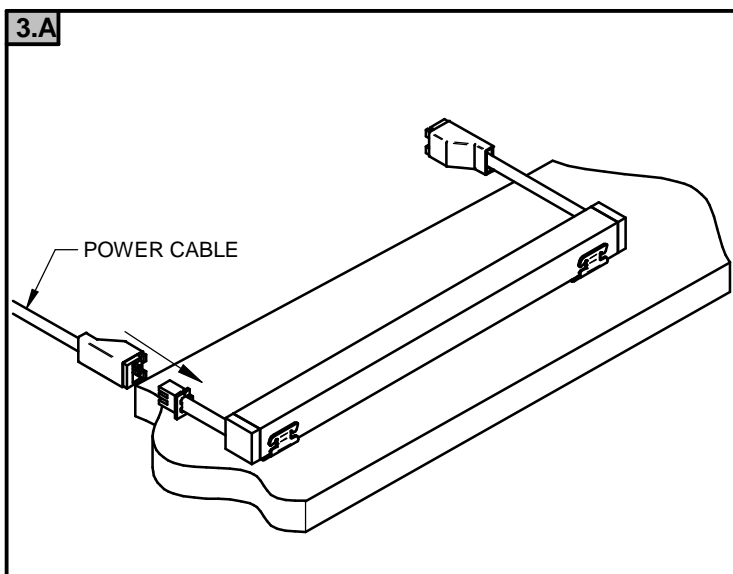
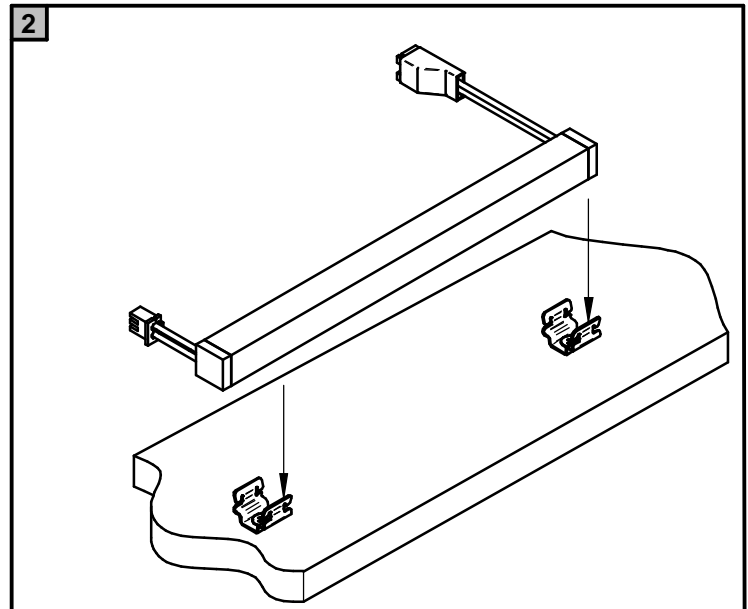
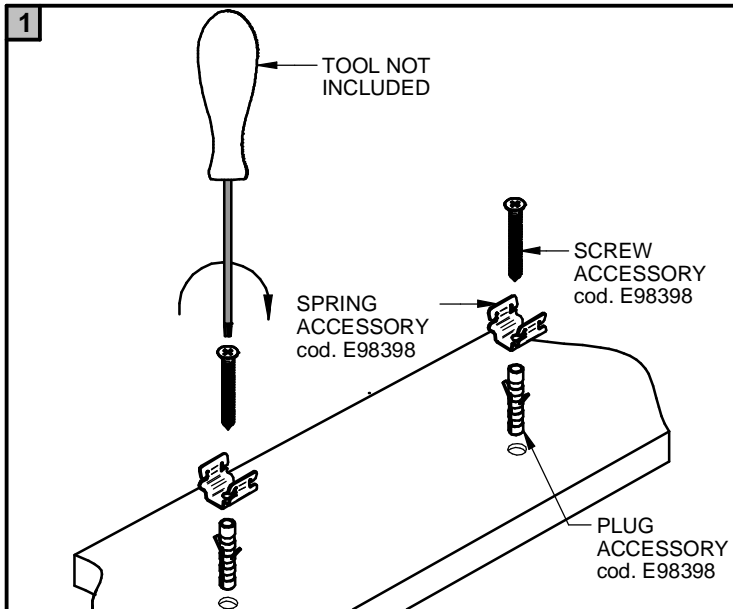
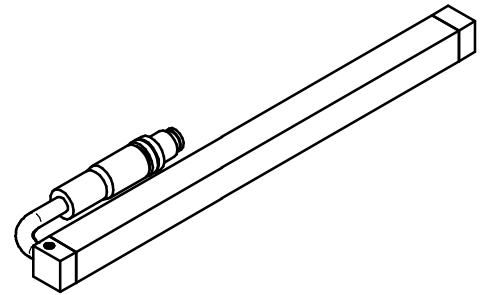
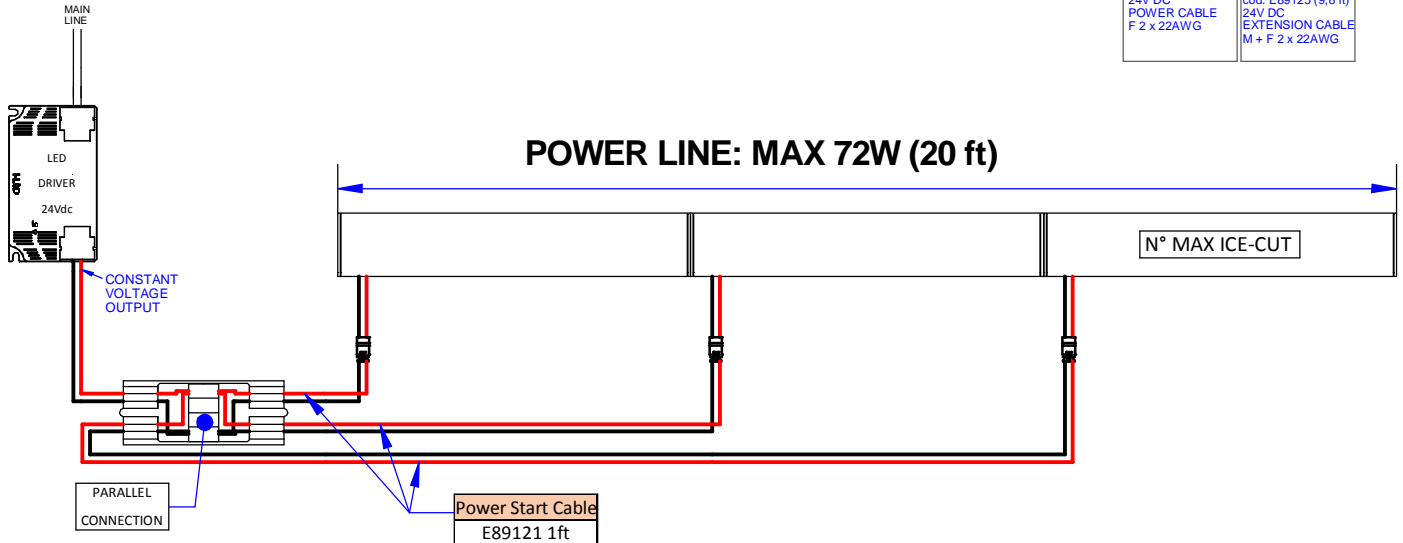
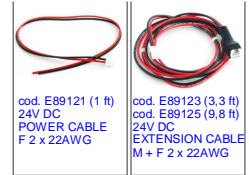
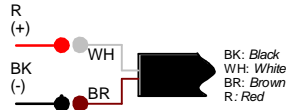


ICE-CUT // ICE-CUT66**ICE-CUT****ICE-CUT66**

ICE-CUT

Maximum cable length.

AWG	22
Length	26,24 ft

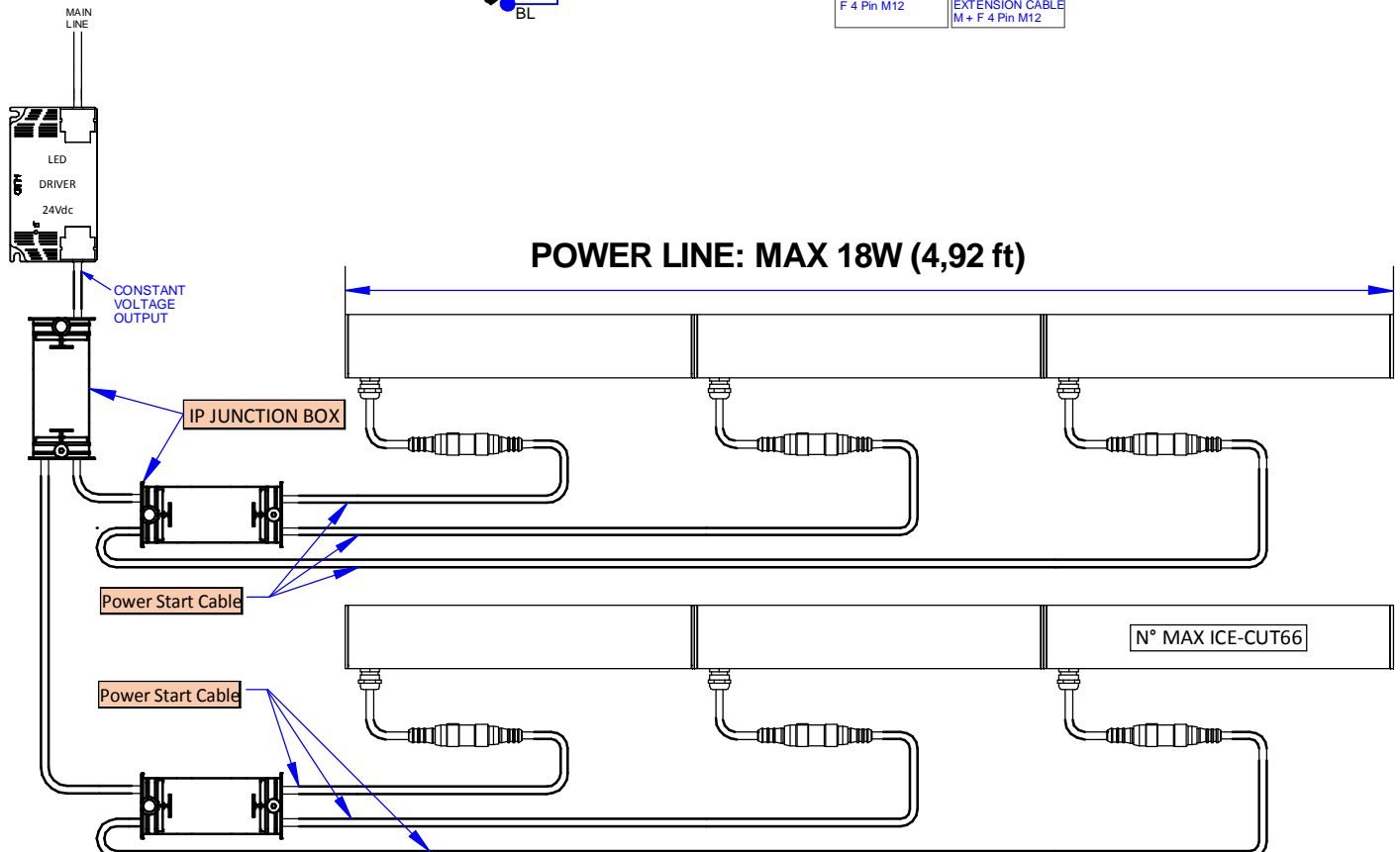
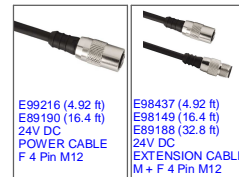
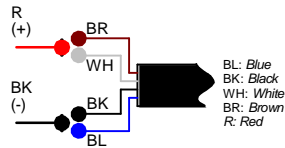


MOD.	COD.	LENGTH (in)	ICE-CUT MAX NUMBER ON A SINGLE RUN
ICE-CUT	E95436	20,2	12
	E95437	39,9	6
	E95438	59,5	4
	E95822	79,2	3

ICE-CUT66

Maximum cable length:

AWG	18
LUNGHEZZA/ length	70m



MOD.	COD.	LENGTH (in)	ICE-CUT66 MAX NUMBER ON A SINGLE RUN
ICE-CUT66	E96740	20,9	3
	E96741	40,6	1
	E96742	60,3	1
ICE-CUT66_F	E81255	20,9	3
	E81256	40,6	1
	E81257	60,3	1



WARNING

INSTALL PRODUCT IN ACCORDANCE WITH LOCAL AND NATIONAL ELECTRICAL CODES BY A QUALIFIED ELECTRICIAN



WARNING

FAILURE TO COMPLY WITH THE INSTALLATION INSTRUCTIONS MAY RESULT IN DEATH OR SERIOUS INJURY.



WARNING

READ ALL SAFETY INSTRUCTIONS INCLUDED WITH LUMINAIRE BEFORE INSTALLING LUMINAIRE. SAVE INSTRUCTIONS FOR FUTURE USE.

CAUTION

THIS IS AN ELECTRONIC DEVICE. CARE MUST BE TAKEN DURING STORAGE AND HANDLING. STORE IN A CLEAN, COOL AND DRY LOCATION. ELECTROSTATIC DISCHARGE (ESD) CAN HARM THIS PRODUCT. AVOID STATIC DISCHARGE WHILE HANDLING THIS PRODUCT.

CAUTION

INTER-LUX IS NOT RESPONSIBLE FOR THE STRUCTURAL INTEGRITY OF THE BUILDING TO SUPPORT THE LUMINAIRE. ADDITIONAL BACKING MAY BE REQUIRED.

LOCATE AND REVIEW ANY CONSTRUCTION PLANS AND INTER-LUX RECORD DRAWINGS FOR ALL FIXTURE RUNS. IT IS RECOMMENDED TO LOCATE AND LAY OUT ALL COMPONENTS FOR EACH FIXTURE "RUN". A FIXTURE "RUN" TYPICALLY CONSISTS OF JOINERS, LENGTHS OF HOUSING, AND ENDGAPS. BE SURE TO IDENTIFY ALL CORRECT LENGTHS FOR EACH FIXTURE "RUN".

THIS PRODUCT MUST BE INSTALLED IN ACCORDANCE WITH THE APPLICABLE INSTALLATION CODE BY A PERSON FAMILIAR WITH THE CONSTRUCTION AND OPERATION OF THE PRODUCT AND THE HAZARDS INVOLVED

MOUNTING INSTRUCTIONS

READ ALL OF THESE INSTRUCTIONS BEFORE INSTALLING FIXTURES

- CAUTION: USE ONLY WITH CLASS 2 POWER UNIT
- Keep all of the instructions for future reference
- Turn off power before installing fixture
- Installation is to be performed by a qualified electrician only
- All installations must conform to the National Electrical Code as well as all local jurisdictional codes and regulations
- Any modification of the luminaire will void any and all written or implied warranties
- The manufacture accepts no responsibility for damage to persons or property arising through improper use or installation

INSTALLATION SEQUENCE

- Mount remote driver in accessible well ventilated space
- Ensure power is off before connecting driver to line voltage
- Fix the spring on the surface with the plugs and the screws [1]
- Insert the Ice-Cut on the springs [2]
- Connect secondary wiring to fixture wiring [3.A - 3.B]
- WARNING - Be sure secondary wiring is connected to driver BEFORE energizing to avoid LED failure
- Energize