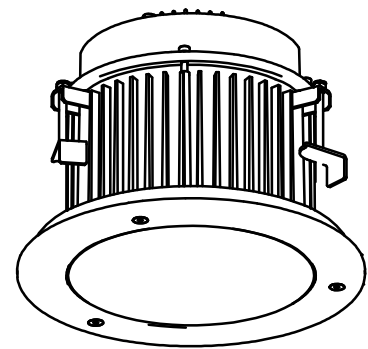
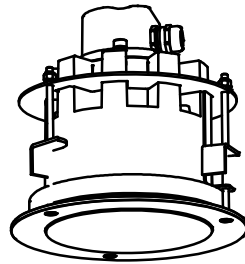
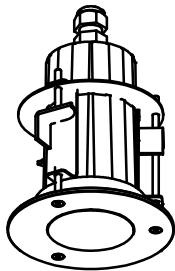
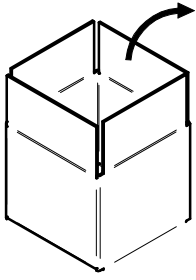


GUARDIAN

GUARDIAN 8W (A)

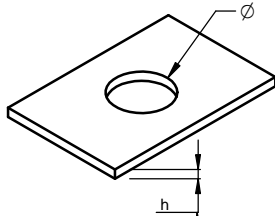
GUARDIAN 13W (B)

GUARDIAN 25W (C)



1.1 CEILING INSTALLATION

- (A)
- (B)
- (C)

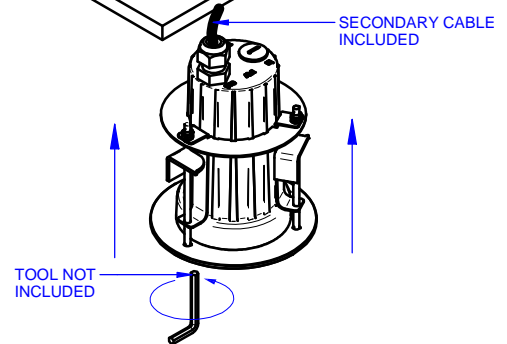
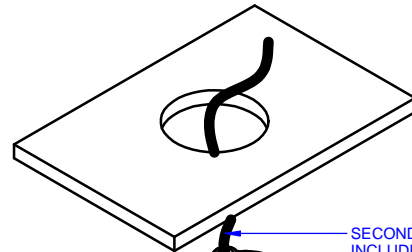


0,4" MINIMUM ON PLASTERBOARD

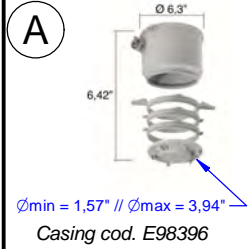
GUARDIAN	POWER	HOLE DIEMENSION
SMALL	8W	Ø3,78"
MEDIUM	13W	Ø5,71"
BIG	25W	Ø8,35"

1.2

- (A)
- (B)
- (C)

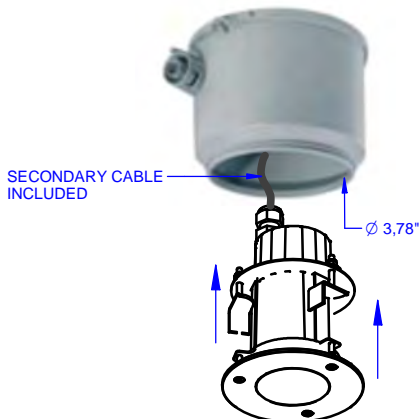


2.1 INSTALLATION ON CASING GUARDIAN 8W



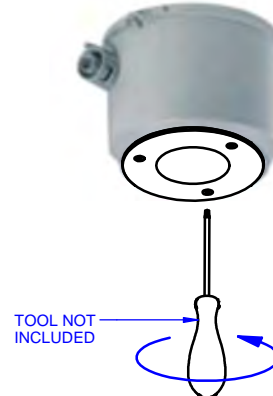
2.2

- (A)



2.3

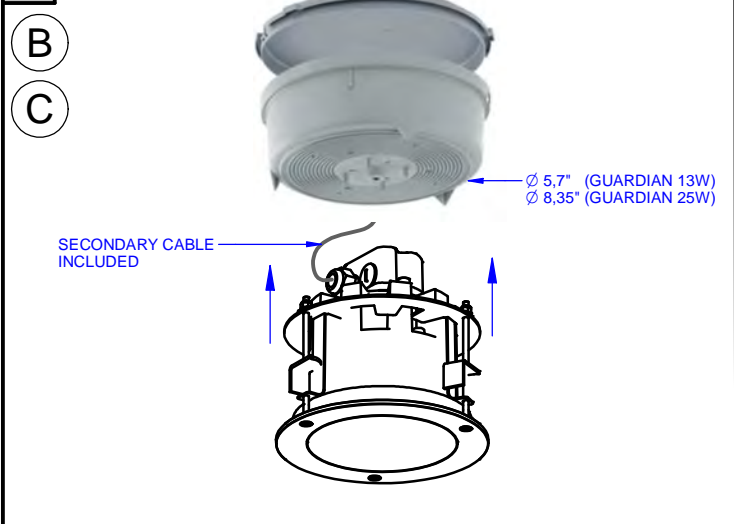
- (A)



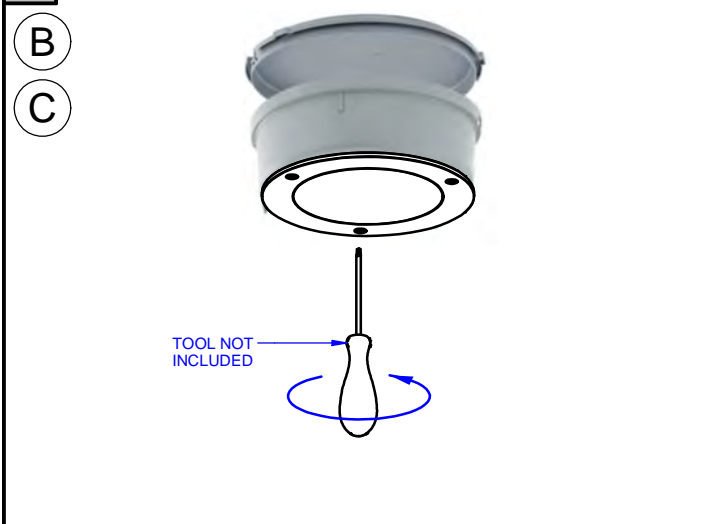
3.1 INSTALLATION ON CASING GUARDIAN 13W/25W



3.2



3.3



THIS PRODUCT MUST BE INSTALLED IN ACCORDANCE WITH THE APPLICABLE INSTALLATION CODE BY A PERSON FAMILIAR WITH THE CONSTRUCTION AND OPERATION OF THE PRODUCT AND THE HAZARDS INVOLVED

MOUNTING INSTRUCTIONS

READ ALL OF THESE INSTRUCTIONS BEFORE INSTALLING FIXTURES

- Keep all of the instructions for future reference
- Turn off power before installing fixture
- Installation is to be performed by a qualified electrician only
- All installations must conform to the National Electrical Code as well as all local jurisdictional codes and regulations
- Any modification of the luminaire will void any and all written or implied warranties
- The manufacture accepts no responsibility for damage to persons or property arising through improper use or installation

INSTALLATION SEQUENCE CEILING INSTALLATION

- Mount remote driver in accessible well ventilated space
- Ensure power is off before connecting driver to line voltage
- Cut correct size opening in the ceiling [1.1]
- Insert the Guardian on the hole and tighten the screws for to attach the fixture [1.2]
- Connect secondary wiring to fixture wiring
- WARNING - Be sure secondary wiring is connected to driver BEFORE energizing to avoid LED failure
- Energize

INSTALLATION SEQUENCE ON CASING INSTALLATION

- Attach the casing on the ceiling [2.1 - 3.1]
- Mount remote driver in accessible well ventilated space
- Ensure power is off before connecting driver to line voltage
- Insert the Guardian into the casing [2.2 - 3.2]
- Tighten the screws for to fix the article [2.3 - 3.3]
- Connect secondary wiring to fixture wiring
- WARNING - Be sure secondary wiring is connected to driver BEFORE energizing to avoid LED failure
- Energize

Colours Secondary Cable	Pole
Wire white	+
Wire black	-
Wire green	Ground