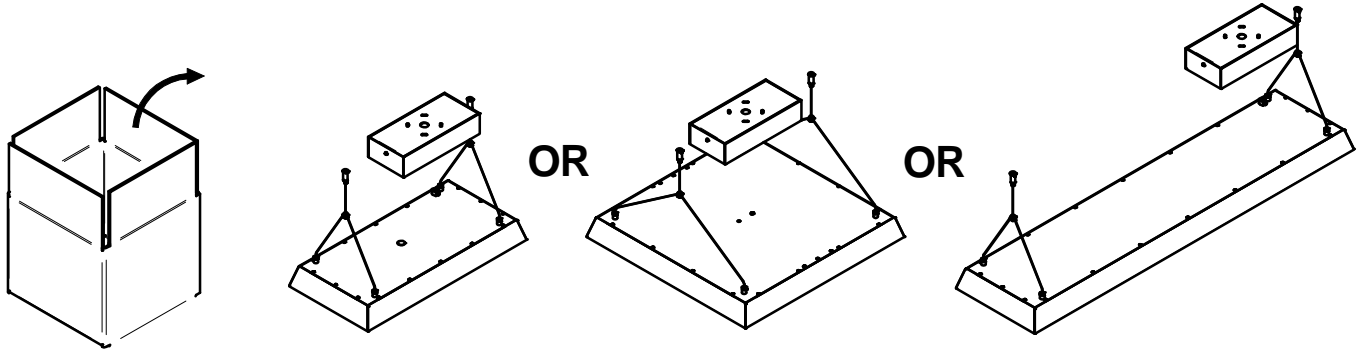
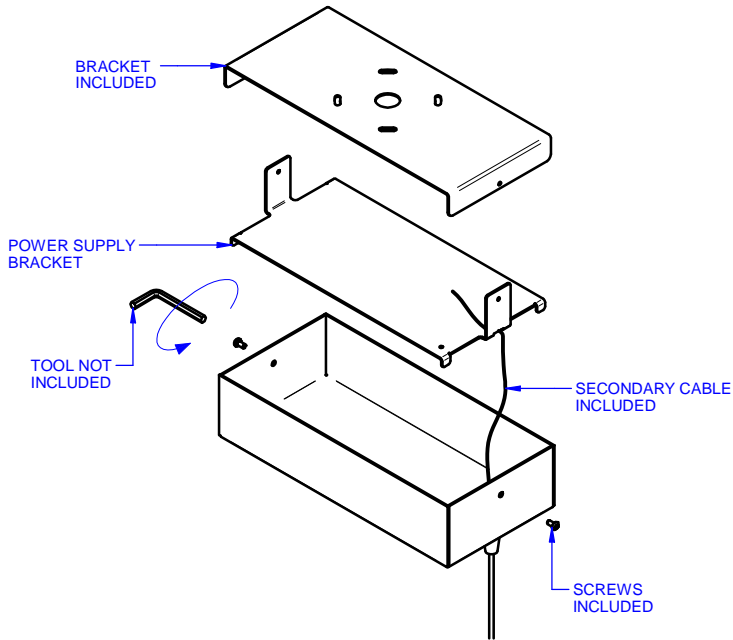




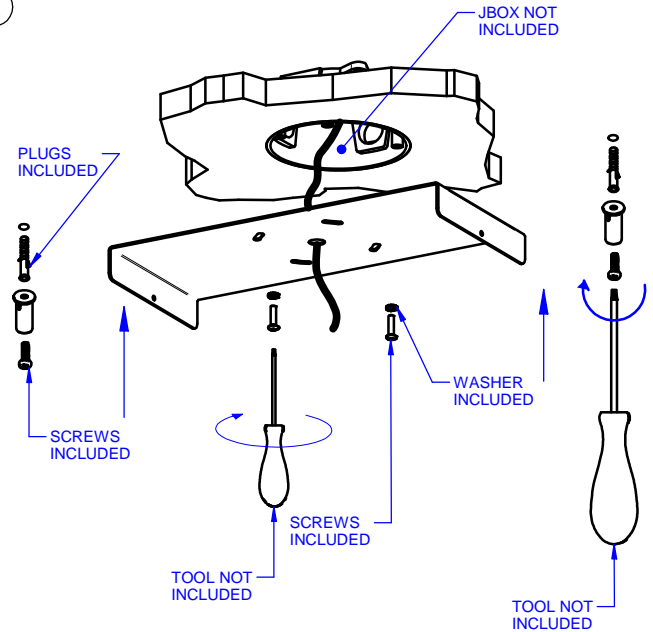
## EDITH SUSPENDED



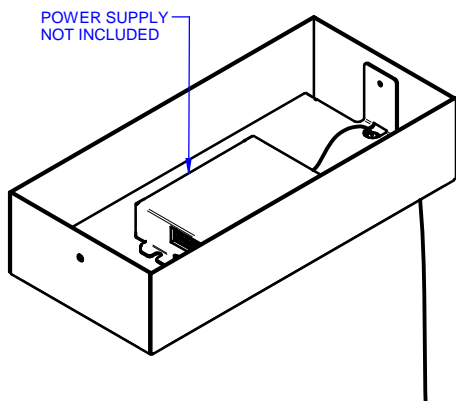
1



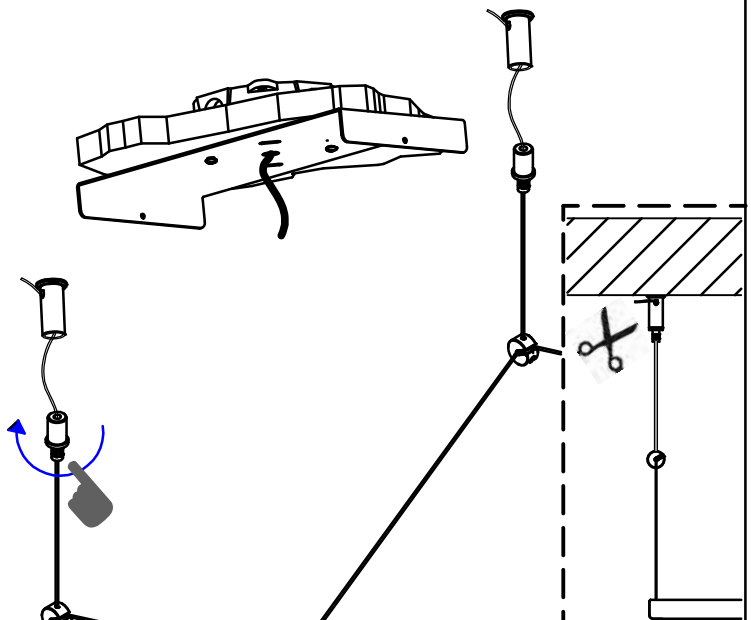
2



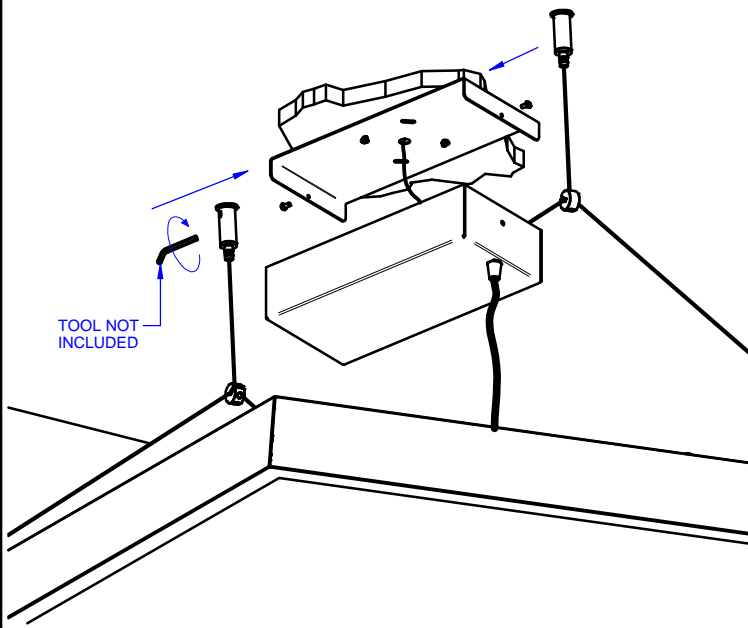
3



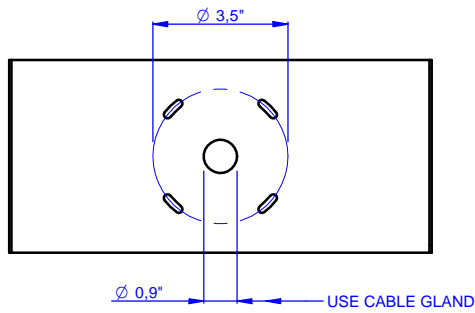
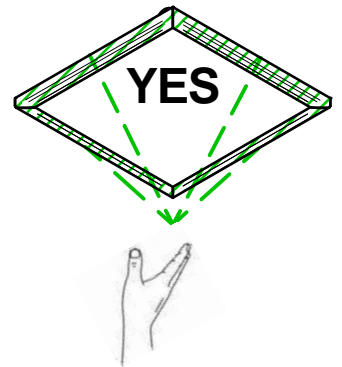
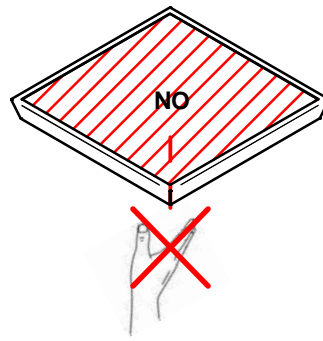
4



5



**WARNING!!!**  
DURING INSTALLATION DO NOT TOUCH  
THE SPEAKER OPAL. ARTICLE CAN BE  
HANDLED ONLY IN EXTERNAL  
ALUMINIUM FRAME



THIS PRODUCT MUST BE INSTALLED IN ACCORDANCE WITH THE APPLICABLE INSTALLATION CODE BY A PERSON FAMILIAR WITH THE CONSTRUCTION AND OPERATION OF THE PRODUCT AND THE HAZARDS INVOLVED

### MOUNTING INSTRUCTIONS

READ ALL OF THESE INSTRUCTIONS BEFORE INSTALLING FIXTURES

- Keep all of the instructions for future reference
- Turn off power before installing fixture
- Installation is to be performed by a qualified electrician only
- All installations must conform to the National Electrical Code as well as all local jurisdictional codes and regulations
- Any modification of the luminaire will void any and all written or implied warranties
- The manufacture accepts no responsibility for damage to persons or property arising through improper use or installation

### INSTALLATION SEQUENCE

- Remove the bracket and the power supply bracket from the box [1]
- Fix the bracket of on the jbox and fix the suspension system on the ceiling [2]
- Ensure power is off before connecting driver to line voltage
- Fix the power supply (not included) on the power supply bracket and make the wiring [3]
- Adjust the height of the suspension system [4]
- Fix the box on the bracket with the screws [5]
- **WARNING** - Be sure secondary wiring is connected to driver BEFORE energizing to avoid LED failure
- Energize