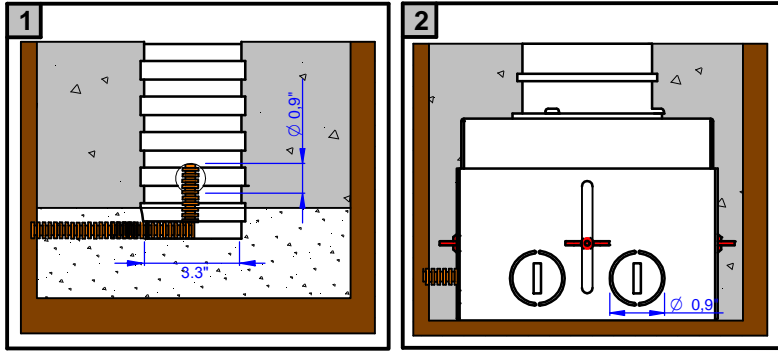


Installation



THIS PRODUCT MUST BE INSTALLED IN ACCORDANCE WITH THE APPLICABLE INSTALLATION CODE BY A PERSON FAMILIAR WITH THE CONSTRUCTION AND OPERATION OF THE PRODUCT AND THE HAZARDS INVOLVED

READ ALL OF THESE INSTRUCTIONS BEFORE INSTALLING FIXTURES

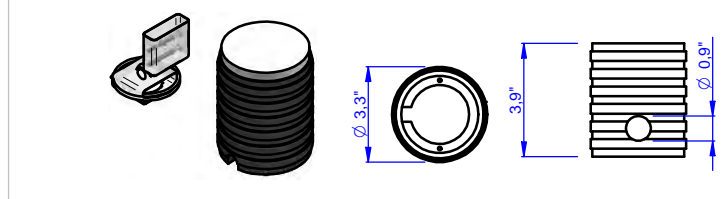
- Keep all of the instructions for future reference
- Turn off power before installing fixture
- Installation is to be performed by a qualified electrician only
- All installations must conform to the National Electrical Code as well as all local jurisdictional codes and regulations
- Any modification of the luminaire will void any and all written or implied warranties
- The manufacture accepts no responsibility for damage to persons or property arising through improper use or installation

INSTALLATION SEQUENCE

- Mount remote driver in accessible well ventilated space
- Ensure power is off before connecting driver to line voltage
- Install outercasing in 3.3" opening or concrete casting
- Feed attached cable through casing to splice point
- Insert fixture into outercasing
- **WARNING:** Be sure secondary wiring is connected to driver **BEFORE** energizing to avoid LED failure
- Energize the power line

Accessories

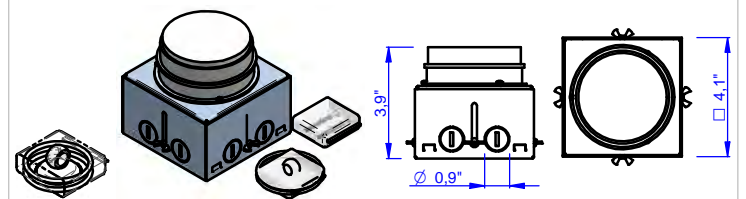
Accessory (1) E98317



Accessory (1)

Recessed outercasing for ground installation, made in painted aluminum. Includes o-rings, suction cup, plugs and screws for spotlight adjusting. E98317

Accessory (2) E98315



Accessory (2)

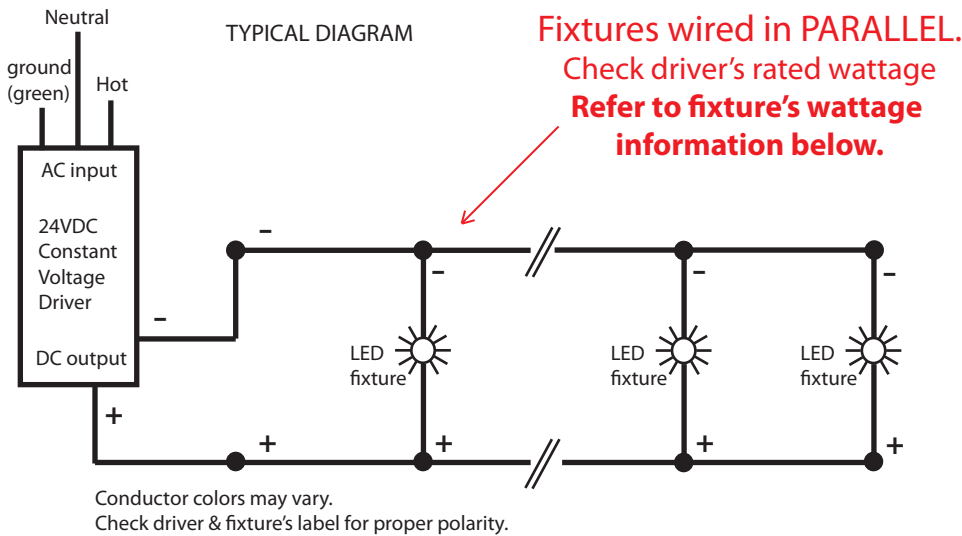
Recessed outercasing for concrete casting installation, made in stainless steel AISI 316. Includes o-rings and suction cup for spotlight adjusting. E98315

Constant Voltage drivers

Wiring Key Points

1. This product shall be installed by a qualified electrician.
2. Make sure the main power supply to the driver is turned off when wiring either the LEDs or driver.
3. LEDs shall be wired in parallel as shown in wiring diagram. CAUTION: incorrect wiring may damage LEDs.
4. Wire shall be #18AWG stranded minimum. Large gauge wire shall be used to limit voltage drop in order to maintain the proper operating voltage. Take every precaution to avoid interference from other electrical circuits and equipment.
5. Dimming circuits are more sensitive to voltage drop and electrical interference from other electrical sources.
6. Isolating LED wiring by dedicated circuit for each control zone is recommended.
7. Contractor shall verify the fixture quantities connected to the driver are compatible with the driver's specifications prior to energizing the circuit.
8. All Class II power cable remote wiring and driver enclosures by others.

LED's can be permanently damaged if these points are not followed



Maximum wiring distance*

Wire gauge	Load per driver		
	≤48W	≤72W	≤96W
#18AWG	37'	25'	18'
#16AWG	59'	39'	29'
#14AWG	95'	63'	47'
#12AWG	151'	101'	75'
#10AWG	241'	160'	120'

* Voltage drop guide for 24VDC. Actual Voltage drop to be calculated by installer.

Fixture

Nominal Length

Watts/fixture

Project:	Type:	Date:
Manufacturer:	Fixture:	Page:

Inter-Lux

Sylvania Optotronic® Constant Voltage Electronic 24V DC LED Power Supplies

Ordering Information

Qty.	Ordering Abbreviation	Nominal Input Voltage (V)	Nominal Input Current (A)	Power Factor	Output Power Range (W)	Dimming Mode	Dimming Control	Dimming Range	Location Rating	Item Number
	OT96W/24V/UNV/DIM	120 277	0.97 0.39	0.9	1-96	PWM	0-10V DC	10-100%	Damp	51520
	OT20W/24V/120-240V/SQ	120	0.38	0.5	0.9-20	n/a	n/a	n/a	Dry	51512
	OT75W/24V/UNV	120 277	0.76 0.33	0.99	0.9-75	n/a	n/a	n/a	Damp	51514
	OT96W/24V/UNV/JBX	120 277	0.91 0.39	0.99	0.8-96	n/a	n/a	n/a	Wet ²	51626
	OT240W/3X24V/120-240V/JBX	120	2.39	0.99	0.8-240	n/a	n/a	n/a	Wet ²	51627

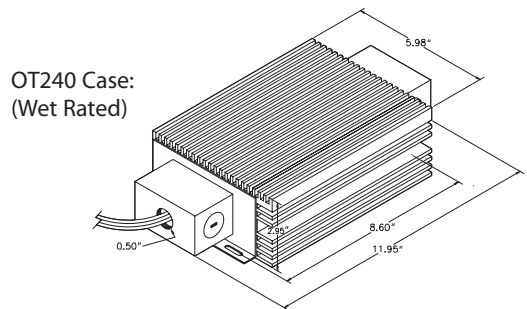
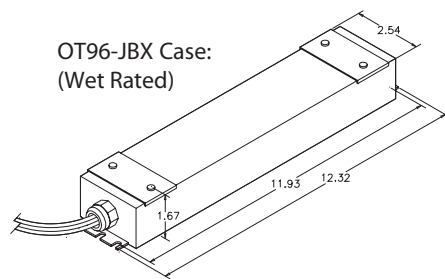
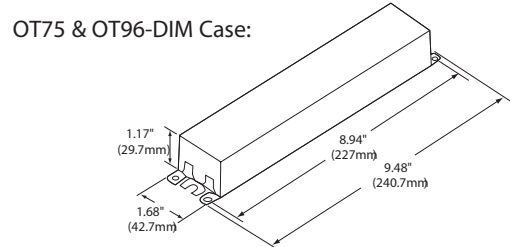
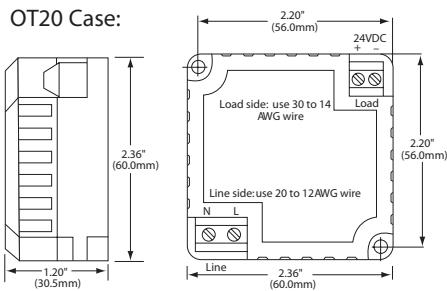
Notes:

- All power supplies can be remote mounted up to 32 feet. Although it is possible to exceed the remote mounting distance, the installer and/or end user must take precautions to prevent and/or test the effects of EMI (electromagnetic interference).
- Use wiring rated and marked PLTC, CL3R, and "sun resistant"

Minimum and Maximum Ratings

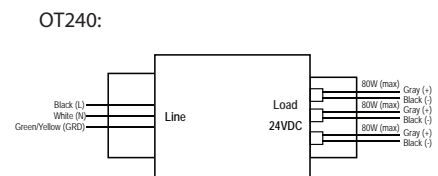
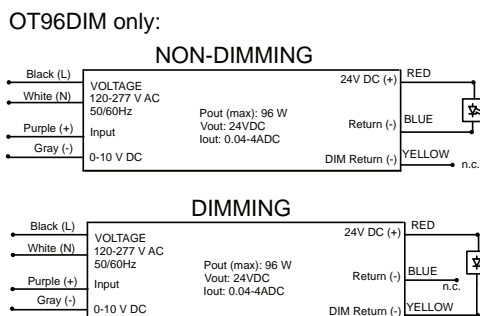
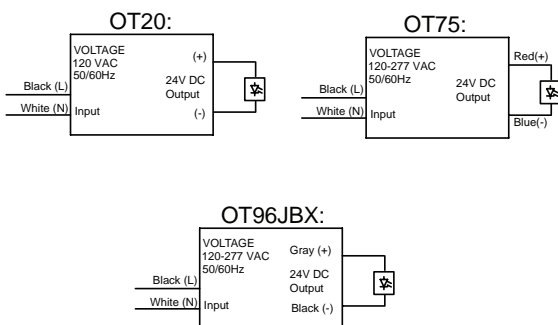
Parameter	Power Supply	Values
Ambient Temperature Range	OT20	-20°C through +50°C
	OT75	-25°C through +60°C
	OT96	-20°C through +40°C
	OT96JBX and OT240	-30°C through +70°C

Case dimensions



Input: wires with a UL Listed, 1/2" metallic fitting
Output: wires with a UL Listed, 1/2" plastic fitting

Wiring Diagrams



Specifications and Certifications

OT20, OT75, OT96, OT96DIM: UL 1310, UL48
Recognized for US & Canada Class 2 Unit

OT96 (NAED 51626) & OT240 (NAED 51627):
UL48 Listed for US & Canada Class 2 Unit