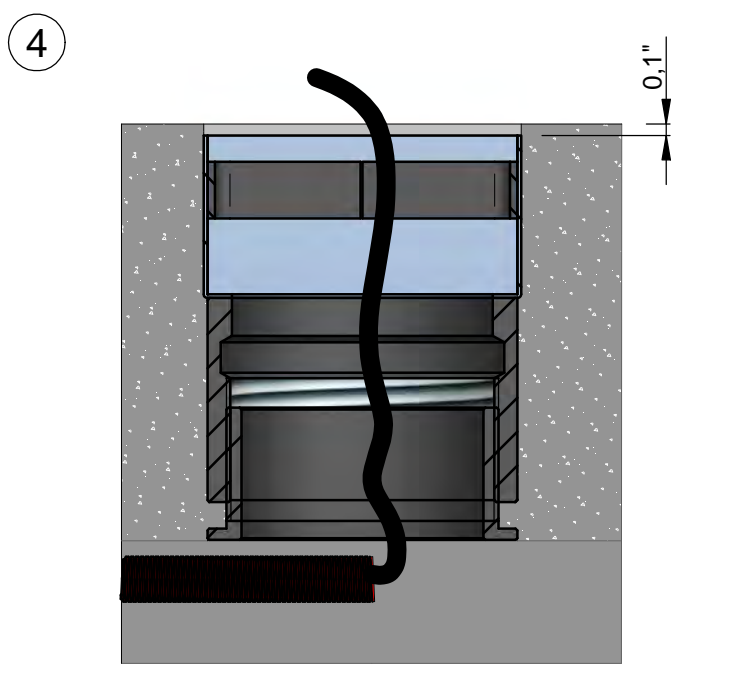
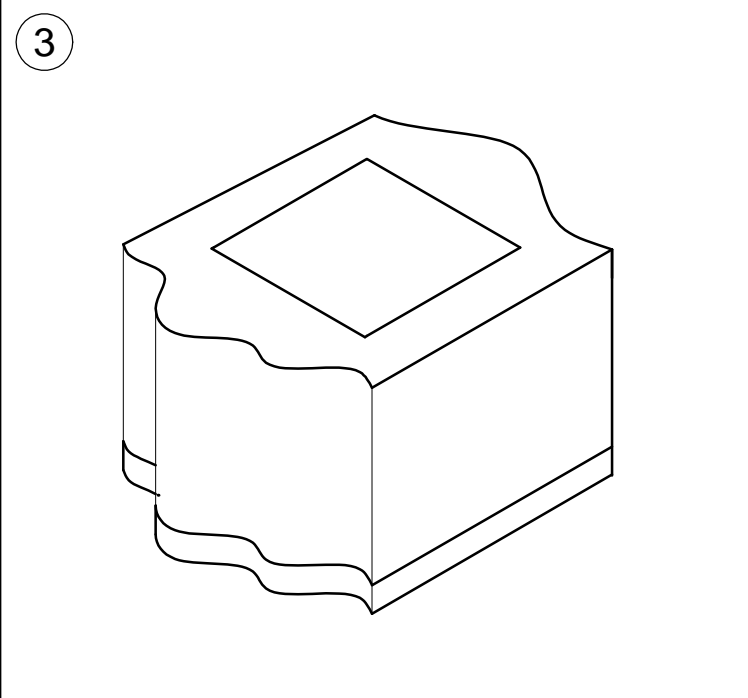
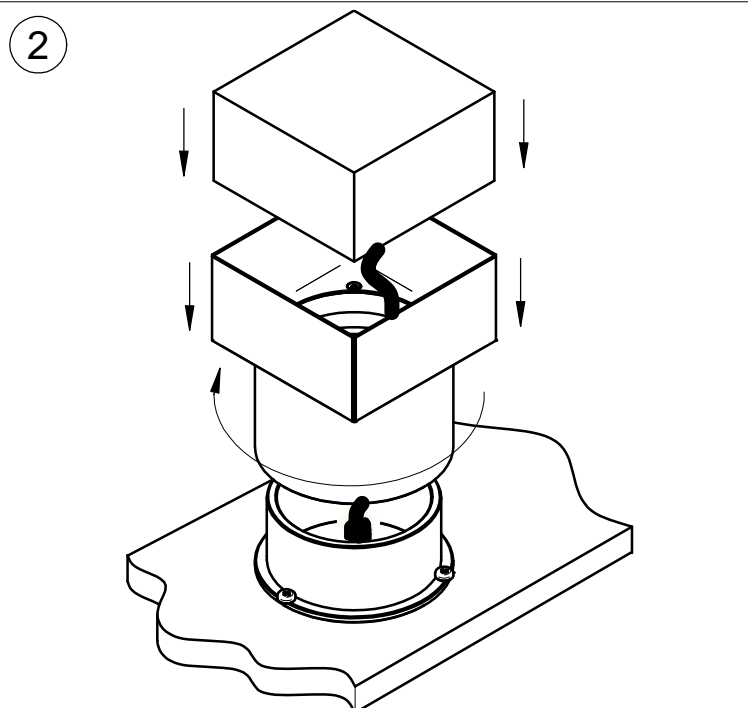
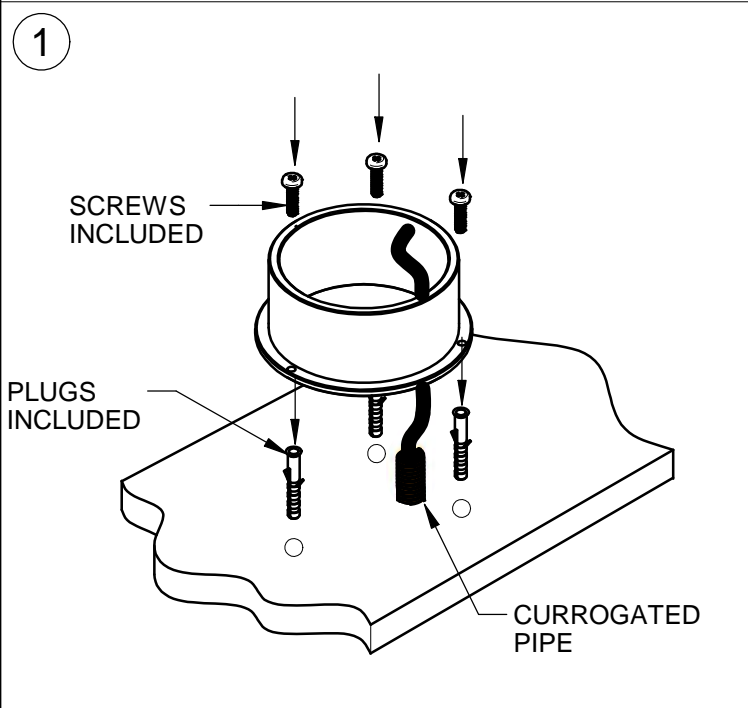
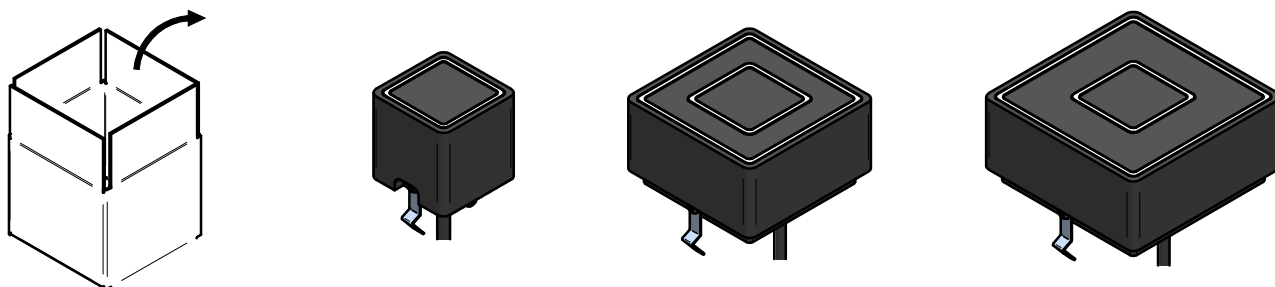
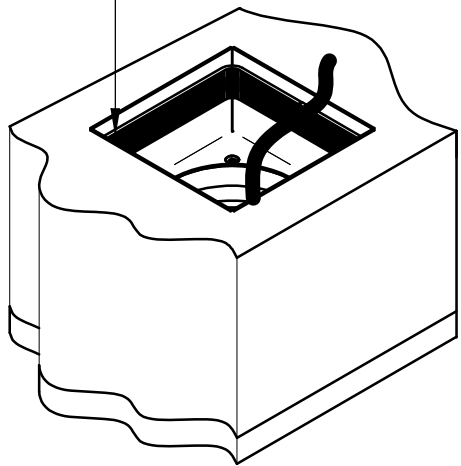


CONCENTRICA-Q



5

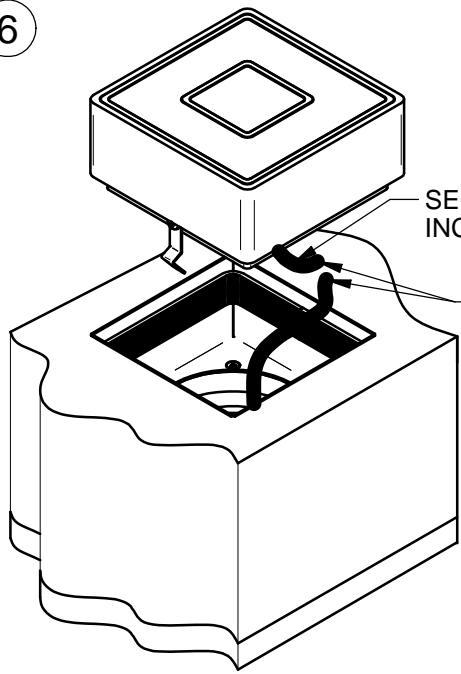
APPLY GASKET INCLUDED



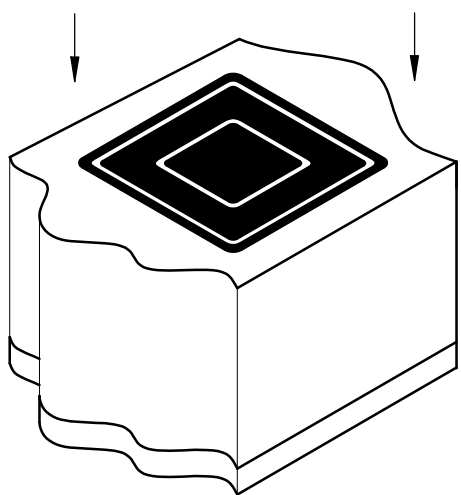
6

SECONDARY CABLE INCLUDED

WIRE

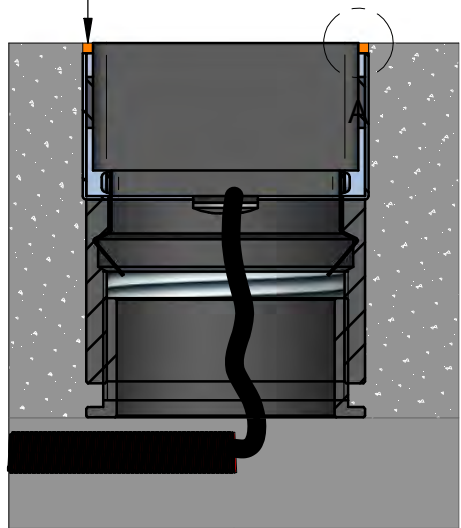


7



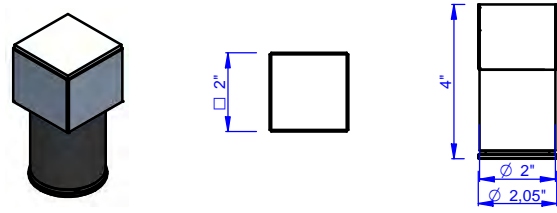
8

APPLY SILICONE



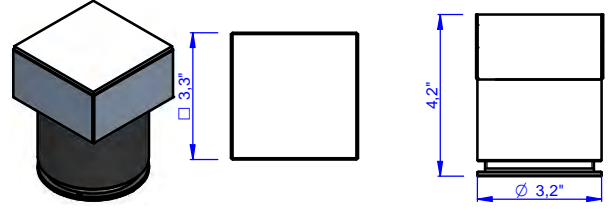
A

Cod. E98402



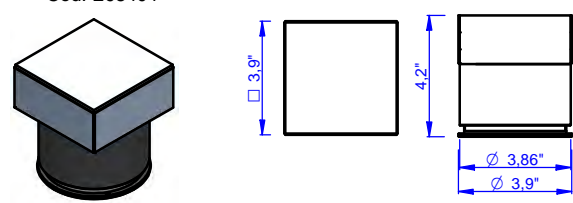
Recessed outercasing for ground installation, made in stainless steel and PVC. Equipped with a system for height adjustent. Suitable for installation by coring or for installation by concrete casting. Cod. E98402

Cod. E98403



Recessed outercasing for ground installation, made in stainless steel and PVC. Equipped with a system for height adjustent. Suitable for installation by coring or for installation by concrete casting. Cod. E98403

Cod. E98404



Recessed outercasing for ground installation, made in stainless steel and PVC. Equipped with a system for height adjustent. Suitable for installation by coring or for installation by concrete casting. Cod. E98404

THIS PRODUCT MUST BE INSTALLED IN ACCORDANCE WITH THE APPLICABLE INSTALLATION CODE BY A PERSON FAMILIAR WITH THE CONSTRUCTION AND OPERATION OF THE PRODUCT AND THE HAZARDS INVOLVED

MOUNTING INSTRUCTIONS

READ ALL OF THESE INSTRUCTIONS BEFORE INSTALLING FIXTURES

- Keep all of the instructions for future reference
- Turn off power before installing fixture
- Installation is to be performed by a qualified electrician only
- All installations must conform to the National Electrical Code as well as all local jurisdictional codes and regulations
- Any modification of the luminaire will void any and all written or implied warranties
- The manufacture accepts no responsibility for damage to persons or property arising through improper use or installation

INSTALLATION SEQUENCE

- Mount remote driver in accessible well ventilated space
- Ensure power is off before connecting driver to line voltage
- Drill the screed and fix the base of the outercasing [1]
- Tighten the cover of the outercasing and adjust the height. Put in the outercasing the protection cap [2]
- Lay the concrete [3]
- The outercasing must be located with the top edge 0,1" below the floor [4]
- Remove the protection cap and insert on the outercasing the gasket [5]
- Connect secondary wiring to fixture wiring [6]
- Insert the Concentrica on the outercasing [7]
- Apply silicone on the cracks [8]
- WARNING - Be sure secondary wiring is connected to driver BEFORE energizing to avoid LED failure
- Energize

CONCENTRICA MONO	
Colours Secondary Cable	Pole
Wire black number 1	+
Wire black number 2	-
CONCENTRICA RGB	
Colours Secondary Cable	Colours Led / Pole
Wire white	Led Blue +
Wire brown	Led Blue -
Wire white	Led Green +
Wire green	Led Green -
Wire white	Led Red +
Wire yellow	Led Red -