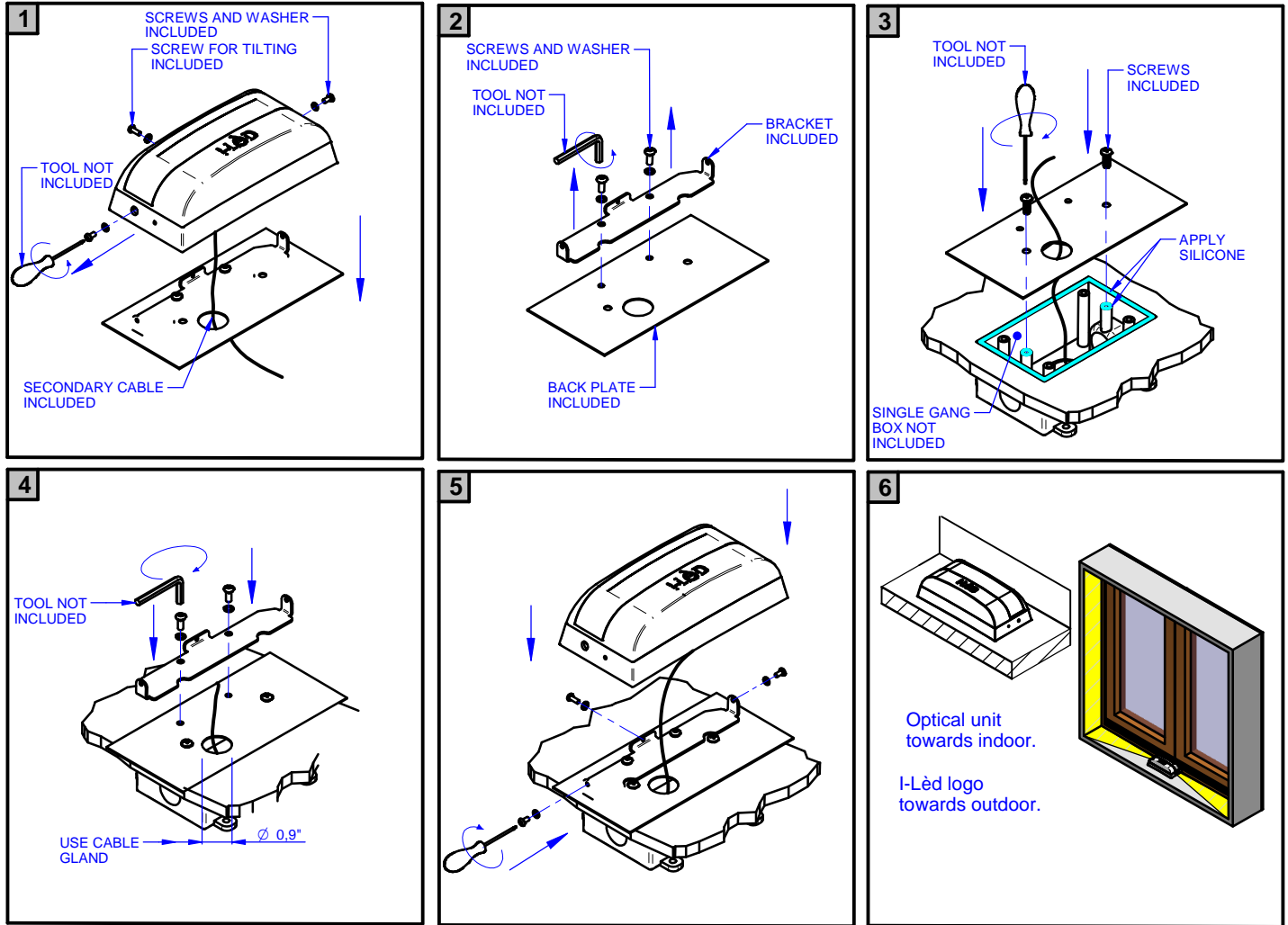


## Installation



THIS PRODUCT MUST BE INSTALLED IN ACCORDANCE WITH THE APPLICABLE INSTALLATION CODE BY A PERSON FAMILIAR WITH THE CONSTRUCTION AND OPERATION OF THE PRODUCT AND THE HAZARDS INVOLVED

READ ALL OF THESE INSTRUCTIONS BEFORE INSTALLING FIXTURES

- Keep all of the instructions for future reference
- Turn off power before installing fixture
- Installation is to be performed by a qualified electrician only
- All installations must conform to the National Electrical Code as well as all local jurisdictional codes and regulations
- Any modification of the luminaire will void any and all written or implied warranties
- The manufacture accepts no responsibility for damage to persons or property arising through improper use or installation

### INSTALLATION SEQUENCE

- Mount remote driver in accessible well ventilated space
- Ensure power is off before connecting driver to line voltage
- Remove the black-plate from the Arcada [1]
- Remove the bracket from the back-plate [2]
- Attach the back-plate on the single gang box with the screws [3]
- Attach the bracket on the back-plate with the screws [4]
- Attach the Arcada on the bracket with the screws, and adjust the tilt [5]
- **WARNING:** Be sure secondary wiring is connected to driver BEFORE energizing to avoid LED failure
- Energize the power line



Constant current LEDs are to be wired in **SERIES** and require a **MINIMUM** and maximum number of fixtures connected to a driver as indicated on the following page.

POWERING or TESTING less than the MINIMUM number of fixtures per driver OR connecting fixtures with the driver live OR wiring them in parallel will **IMMEDIATELY and PERMANENTLY DESTROY the LEDs.**

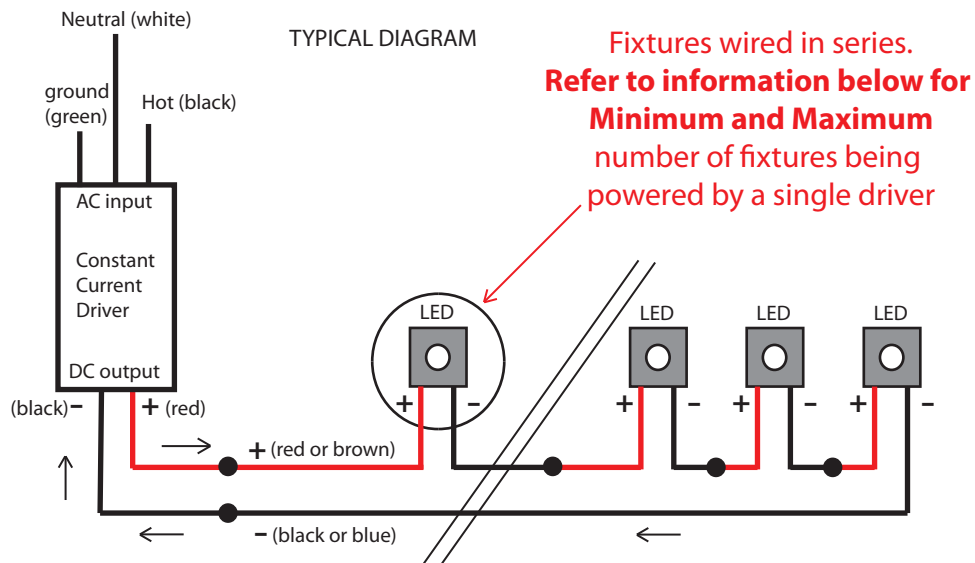
*Carefully read instructions prior to installation and testing.*

# Constant Current drivers

## Wiring Key Points

1. This product shall be installed by a qualified electrician.
2. Make sure the main power supply to the driver is turned off when wiring either the LEDs or driver.
3. LEDs shall be wired in series as shown in wiring diagram. CAUTION: parallel wiring will damage LEDs.
4. Wire shall be 18 awg stranded minimum. Large gauge wire shall be used to limit voltage drop in order to maintain the proper operating voltage. Take every precaution to avoid interference from other electrical circuits and equipment.
5. Dimming circuits are more sensitive to voltage drop and electrical interference from other electrical sources.
6. Isolating LED wiring by dedicated circuit for each control zone is recommended.
7. Contractor shall verify the fixture quantities connected to the driver are compatible with the driver's specifications prior to energizing the circuit.
8. All Class II power cable remote wiring and driver enclosures by others.

**LED's can be permanently damaged if these points are not followed**



## Driver options:

| Driver | AC Input | Dimming | Minimum number of fixtures | Maximum number of fixtures |
|--------|----------|---------|----------------------------|----------------------------|
|        |          |         |                            |                            |
|        |          |         |                            |                            |
|        |          |         |                            |                            |

|               |          |       |
|---------------|----------|-------|
| Project:      | Type:    | Date: |
| Manufacturer: | Fixture: | Page: |