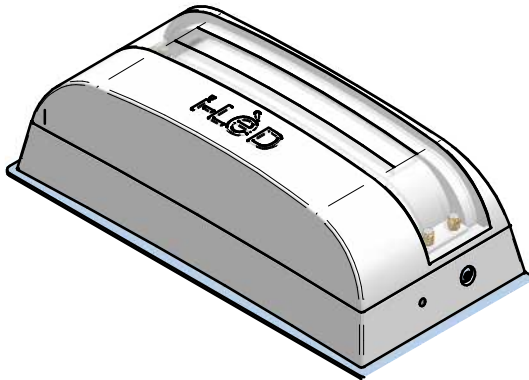


FINISH	CODE	COLOUR LED	OPTIC	POWER
EMBOSSSED WHITE	<b>E93454</b>	4000K - <b>N</b> 3000K - <b>W</b> 2700K - <b>M</b>	Arch. - <b>18</b>	4W - 350mA
EMBOSSSED BLACK	<b>E95612</b>			
EMBOSSSED GRAY	<b>E95619</b>			
EMBOSSSED WHITE	<b>E95458</b>			8W - 630mA
EMBOSSSED BLACK	<b>E95616</b>			
EMBOSSSED GRAY	<b>E95623</b>			



*Finishes*

EMBOSSSED WHITE (WH)  
EMBOSSSED BLACK (BK)  
EMBOSSSED GRAY (GR)

*Product Description*

Apparatus for lighting of arches and windows. Optical unit with 08 ° lenses to create a blade of light. Main body in die-cast aluminum powder coated (white/black/gray) with pre treatment that improves corrosion resistance. Multitilled source with PMMA optic group. PET filter for cleaning the light beam. Diffuser made of PMMA UV-stabilized. Bracket in stainless steel. Power supply remote. IP65 degree of protection guaranteed by the use of cable glands and models seals.

LED White :  
4000K - 3000K - 2700K

Color LED :  
-

Optic :  
Arch. 18

LED RGB :  
-

Optic :  
-

*Applications*

Outdoor Spotlight

*Power Led:*

LED XPG2 CREE - CRI80

*Resin:* No

*Cable type included:* Yes, 12 " 2X18AWG cable SJEOOW

*Connector type:* -

*Input (V - mA) :* see tab.

*Nominal power (W):* see tab.

*Real power (W):* Nominal Power

*Temperature on the surface of the glass:* 40°

*Adjustability:* No

*Drive:* No

*Glow Wire:* 850°

*Power supply:* Remote

*Insulation class:* Class 2

IP 65

IK 08

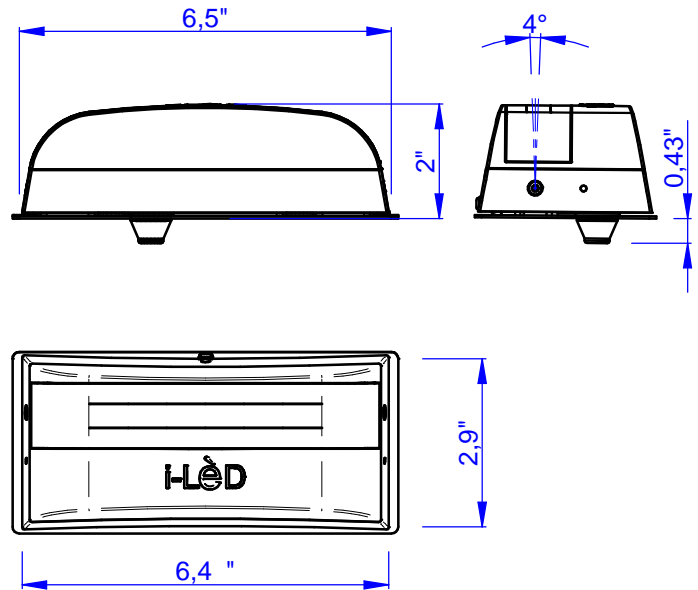
*Weight:* 1,43 Lbs

*Volume:* "3

⚠ : OK

ETL : OK

*Dimensions*



*Luminous flux*

Type LED	n°led	Nominal Lumen*			Nominal Power
		4000K - N	3000K - W	2700K - M	
XPG2	4	620	580	544	4W
XPG2		996	932	876	8W

\*Value of the luminous flux from the LED data sheet.

THIS PRODUCT MUST BE INSTALLED IN ACCORDANCE WITH THE APPLICABLE INSTALLATION CODE BY A PERSON FAMILIAR WITH THE CONSTRUCTION AND OPERATION OF THE PRODUCT AND THE HAZARDS INVOLVED

READ ALL OF THESE INSTRUCTIONS BEFORE INSTALLING FIXTURES

- Keep all of the instructions for future reference
- Turn off power before installing fixture
- Installation is to be performed by a qualified electrician only
- All installations must conform to the National Electrical Code as well as all local jurisdictional codes and regulations
- Any modification of the luminaire will void any and all written or implied warranties
- The manufacture accepts no responsibility for damage to persons or property arising through improper use or installation