

# LUCE VERDE SLIM

### GENERAL REMARKS ON SAFETY:

Read all of these instructions before installing fixtures.

- Keep all of the instructions for future reference.
- Turn off power before installing fixture.
- Installation is to be performed by a qualified electrician only.
- All installations are to conform to the standards of National Electrical Code as well as all local jurisdictional codes and regulations.
- Any modification of the luminaire will void any and all written or implied warranties.
- Do not open the luminaire - this will void the IP rating
- The manufacturer accepts no responsibility for damage to persons or property arising through improper use or installation.

THIS PRODUCT MUST BE INSTALLED IN ACCORDANCE WITH THE APPLICABLE INSTALLATION CODE BY A PERSON FAMILIAR WITH THE CONSTRUCTION AND OPERATION OF THE PRODUCT AND THE HAZARDS INVOLVED

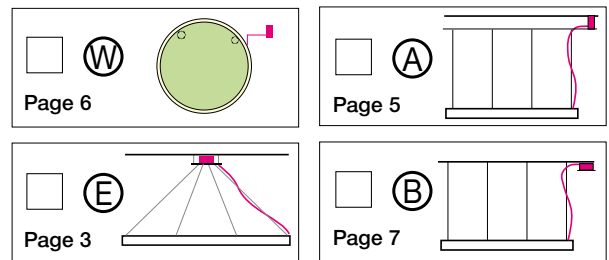
### Technical Data:



Measurements Ø mm / inches	Weight kg / lbs	Canopy/ Operating Unit
Ø 1300 / 51.2	35 / 77.1	5.0 / 11.0

### Installation Version

— Supply line 24 V



### Bom. (Caps)

#### Package 1

- | <input type="checkbox"/> | Part                                                                                                      | Quantity |
|--------------------------|-----------------------------------------------------------------------------------------------------------|----------|
| <input type="checkbox"/> | Circular aluminum-profile ①<br>acrylic glass ring and 4 steel cables,<br>Inner surface made of dried moss | 1 unit   |

#### Package 2

- |                          |                                     |        |
|--------------------------|-------------------------------------|--------|
| <input type="checkbox"/> | Canopy ②<br>incl. power supply unit | 1 unit |
| <input type="checkbox"/> | External power supply unit ③        | 1 unit |
| <input type="checkbox"/> | White gloves ④                      | 1 pair |
| <input type="checkbox"/> | Screwdriver                         | 1 unit |
| <input type="checkbox"/> | Assembly instructions               | 1 unit |

#### Dimmer

- |                          |                        |
|--------------------------|------------------------|
| <input type="checkbox"/> | Not dimmable           |
| <input type="checkbox"/> | DMX interface          |
| <input type="checkbox"/> | Dimmer interface 0-10V |
| <input type="checkbox"/> | DALI interface         |



### LUCE VERDE SLIM

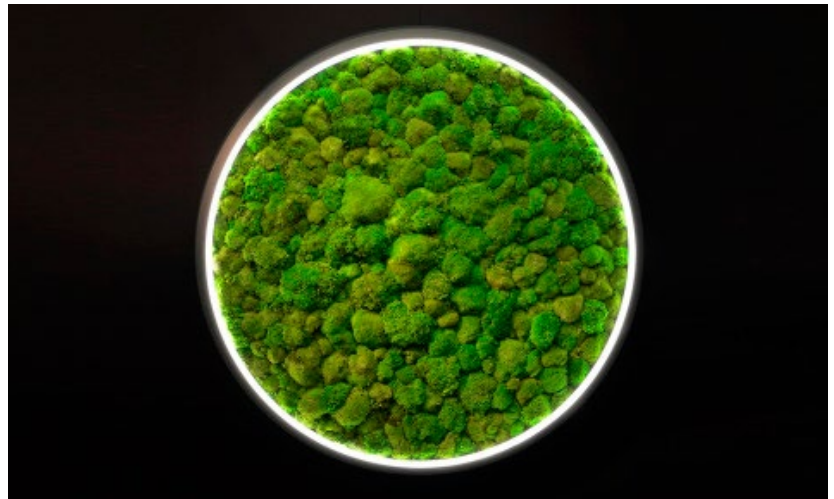
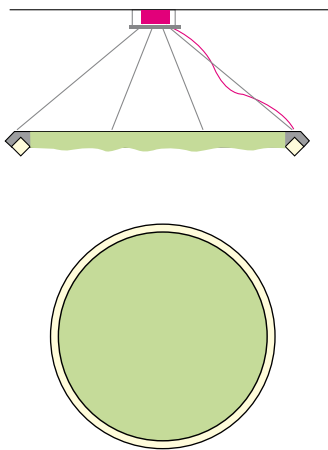
#### Warranty

Use the enclosed assembly instructions for the installation of the lighting fixture. Non-compliance of the assembly instruction will automatically void the warranty.

The supplied light fixture has been tested and is fully operational.



LUCE VERDE SLIM, Pendant Light, assembly version (E)



LUCE VERDE SLIM, Wall Light, assembly version (W)



#### Delivery contains 2 packages

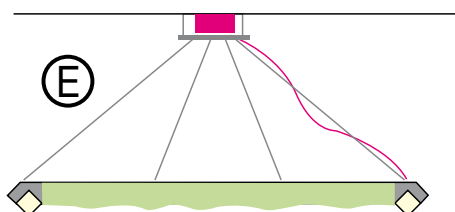
Unpack the light fixture and check the bill of material.

Use enclosed cloth gloves to prevent smudging of polished frame, screws and acrylic.

Do not remove the protective foil until after assembly.

### LUCE VERDE SLIM

#### Light fixture with canopy – Connection of the light fixture with separate power supply cable



#### Mounting of the canopy



**Make sure the ceiling has sufficient support capacity!**

1. Fit the base of the canopy to the ceiling with the 4 mounting points. Ø Drill 6mm / 1/4" holes and anchor to fasten canopy to ceiling (see scale sketch on the left).
2. Connect the power supply and the control signal to the terminal block of the canopy (see wiring diagram page 8).

#### Connection of the light fixture

3. Fix light fixtures with 4 cables (depending on light fixture diameter) to the canopy at the provided cable grippers and align by applying light pressure on the steel cable grippers. Observe minimum / maximum suspension height on page 4.



**Consider the polarity of the current-carrying cables in accordance with the markings on the light fixture and the canopy.**



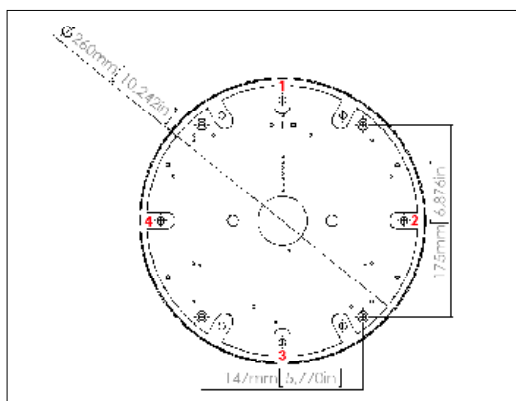
**Never adjust the suspension under pressure. The steel cables might get damaged.**

4. Lock the cable grippers in place by use of the insulated knurled screw.
5. Shorten excessive steel cables in order to prevent short circuits.



**Shortened cables can only be replaced by the factory!**

6. Insert the power supply line through the side of the ceiling plate and connect it to the terminal block in accordance with the wiring diagram (p. 8)
7. Mount the canopy cover and fasten it with screws from the side.
8. Check whether the light fixture is functioning.



Canopy Ø 290 mm / 11,4" with 4 steel cables



Canopy with mounted cover

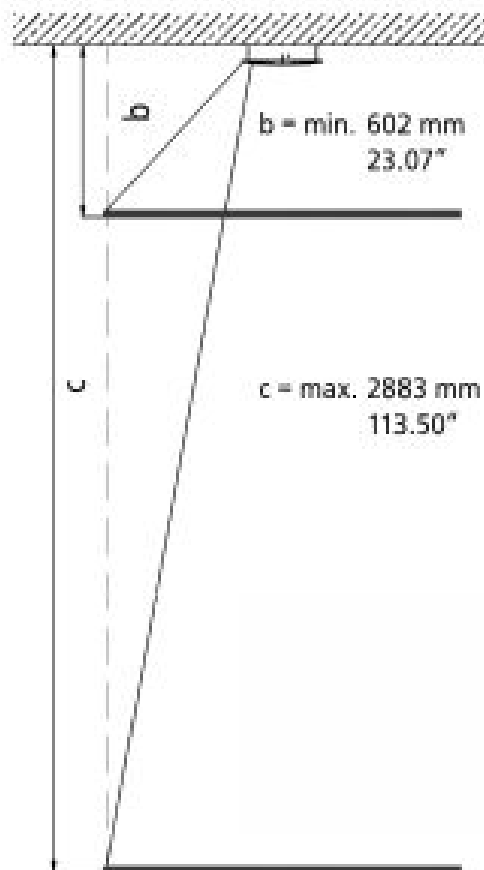
### LUCE VERDE SLIM



**Light fixture with canopy**

**1300 mm / 51.1"**

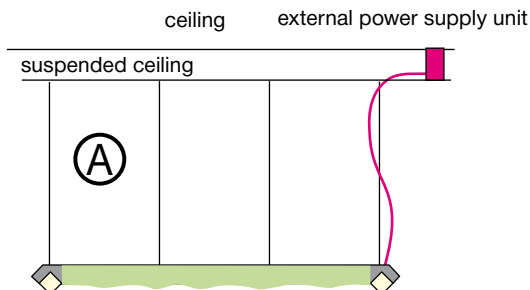
**minimum (b) respectively maximum (c) ceiling suspension**



**LUCE VERDE SLIM**  
**Ø 1300 mm / 51.2"**

### LUCE VERDE SLIM

#### Light fixture with steel cable suspension – Connection of the light fixture with external power supply unit



#### Mounting of the cable grippers, installation of the light fixture



**Make sure the ceiling has sufficient support capacity!**

1. Mark the 4 anchor positions of the light fixture on the ceiling.
2. Drill  $\varnothing$  6mm / 1/4 holes, insert anchors and fasten steel cable holders, see pictures ① + ② .

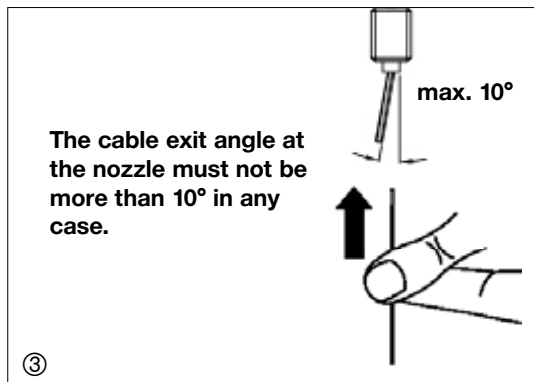


**The steel cable grippers cannot be used for outdoor areas. Make sure cables are not damaged. Prior to mounting, the nozzle of the steel cable bracket has to have noticeable spring pressure. In order to ensure full suspension, the steel cables have to be clean and free from greases, oils and rust. The steel cable grippers can only be used in connection with the provided fixation cables for stationary and static loads, see picture ③**

3. Insert the cables which have been pre-attached to the light fixture in the steel cable grippers.
4. Lift the light fixture in its desired position and adjust by applying light pressure on the steel cable grippers.
5. If provided, lock the steel cable grippers in place by use of the insulated knurled screw.
6. Shorten excessive steel cables.



**Shortened cables can only be replaced by the factory!**



#### Assembly of the operating unit, connection to light fixture

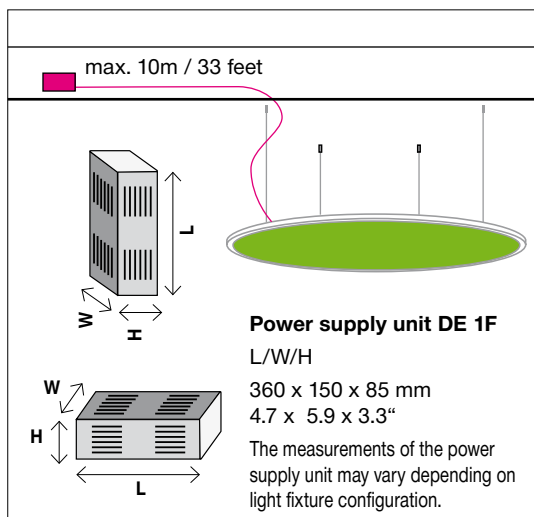


**Mount external power supply unit only in a dry and aerated place!**

Power supply cable from the operating unit to the light fixture max. 10m / 33 feet

**Assembly of external power supply vertically or horizontally (see sketch)**

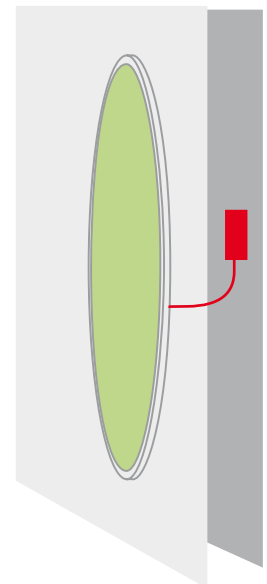
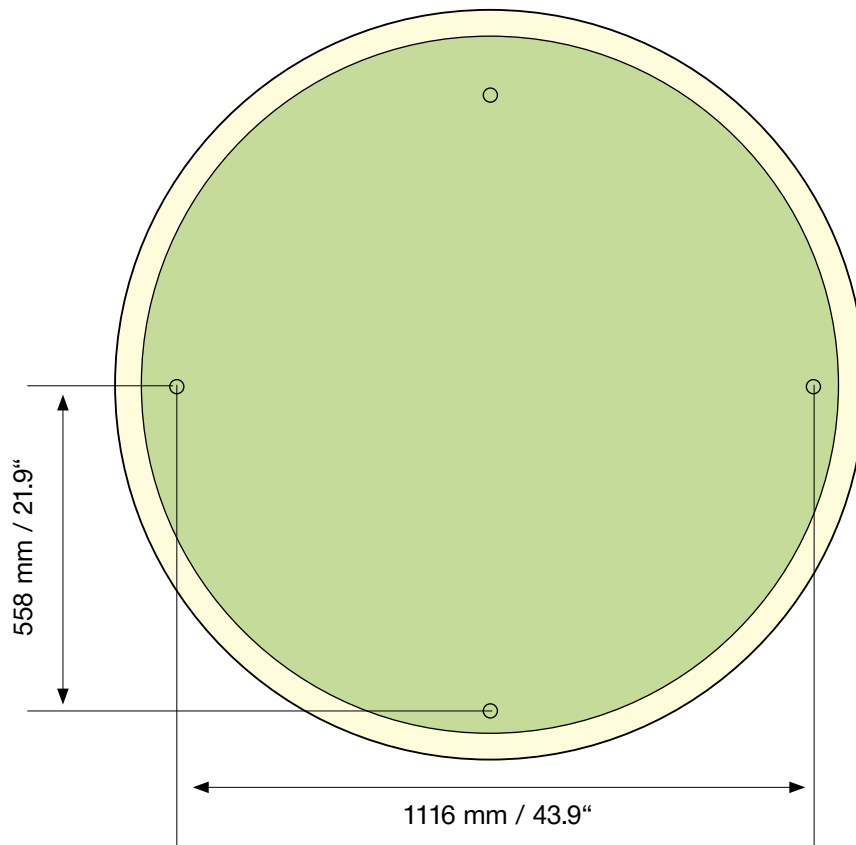
7. Open the housing of the operating unit by loosening the 4 screws.
8. Fasten operating unit sufficiently.
9. Connect primary connection and power supply cable of the light fixture according to the wiring diagram (p.8), then fasten the housing of the operating unit again.
10. Check whether the light fixture is functioning.



### LUCE VERDE SLIM



Wall lamp incl. 2 wall hooks for fixing and external power supply unit in false wall

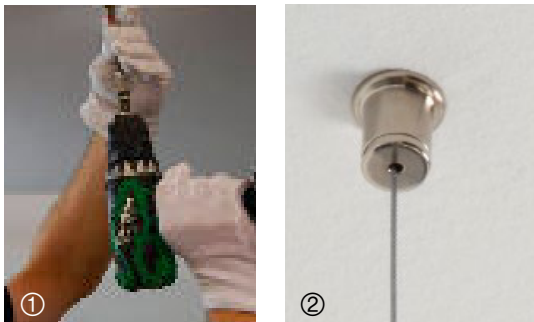
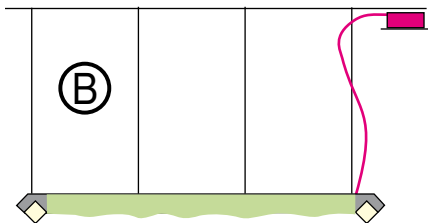


2 wall hooks for fixing



### LUCE VERDE SLIM

#### Light fixture with steel cable suspension – Connection of the light fixture with separate canopy



**Make sure the ceiling has sufficient support capacity!**

1. Mark the 4 anchor positions of the light fixture on the ceiling.
2. Drill  $\varnothing$  6mm / 1/4 holes, insert anchors and fasten steel cable holders, see pictures ① + ② .

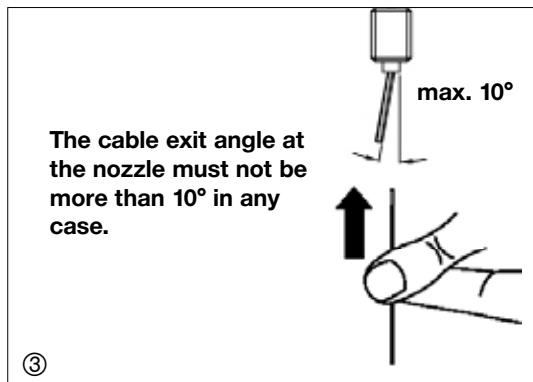


**The steel cable grippers cannot be used for outdoor areas. Make sure cables are not damaged. Prior to mounting, the nozzle of the steel cable gripper has to have noticeable spring pressure. In order to ensure full suspension, the steel cables have to be clean and free from greases, oils and rust. The steel cable gripper can only be used in connection with the provided fixation cables for stationary and static loads, see picture ③**

3. Insert the cables which have been pre-attached to the light fixture in the steel cable grippers.
4. Lift the light fixture in its desired position and adjust by applying light pressure on the steel cable grippers.
5. If provided, lock the steel cable grippers in place by use of the insulated knurled screw.
6. Shorten excessive steel cables.



**Shortened cables can only be replaced by the factory!**

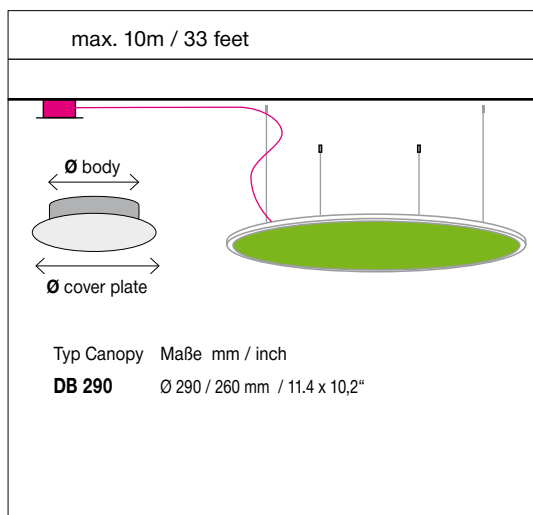


#### Assembly of the canopy, connection to light fixture



**Power supply cable from the operating unit to the light fixture max. 10m / 33 feet**

7. Mark the 4 anchor positions of the canopy on the ceiling according to the scale sketch (page 3) – different measurements depending on size. Drill  $\varnothing$  6mm / 1/4 holes, insert anchors and fasten canopy.
8. Connect primary connection in accordance with the wiring diagram.
9. Insert the power supply cable that has been pre-attached to the light ring in the side of the canopy and connect to the terminal block according to wiring diagram (p. 8).
10. Mount canopy cover and fasten with screws from the side.
11. Check whether the light fixture is functioning.

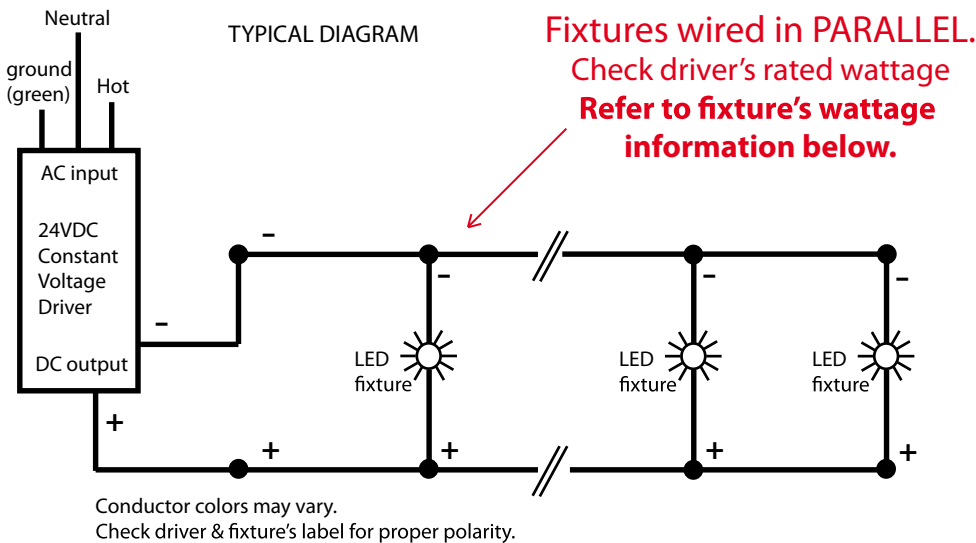


# LUCE VERDE SLIM

### Wiring Key Points

1. This product shall be installed by a qualified electrician.
2. Make sure the main power supply to the driver is turned off when wiring either the LEDs or driver.
3. LEDs shall be wired in parallel as shown in wiring diagram. CAUTION: incorrect wiring may damage LEDs.
4. Wire shall be #18AWG stranded minimum. Large gauge wire shall be used to limit voltage drop in order to maintain the proper operating voltage. Take every precaution to avoid interference from other electrical circuits and equipment.
5. Dimming circuits are more sensitive to voltage drop and electrical interference from other electrical sources.
6. Isolating LED wiring by dedicated circuit for each control zone is recommended.
7. Contractor shall verify the fixture quantities connected to the driver are compatible with the driver's specifications prior to energizing the circuit.
8. All Class II power cable remote wiring and driver enclosures by others.

**LED's can be permanently damaged if these points are not followed**



Maximum wiring distance\*

Wire gauge	Load per driver		
	≤48W	≤72W	≤96W
#18AWG	37'	25'	18'
#16AWG	59'	39'	29'
#14AWG	95'	63'	47'
#12AWG	151'	101'	75'
#10AWG	241'	160'	120'

\* Voltage drop guide for 24VDC. Actual Voltage drop to be calculated by installer.