

Assembly instruction

Date: 21.09.15

LUCE VERDE ANELLO

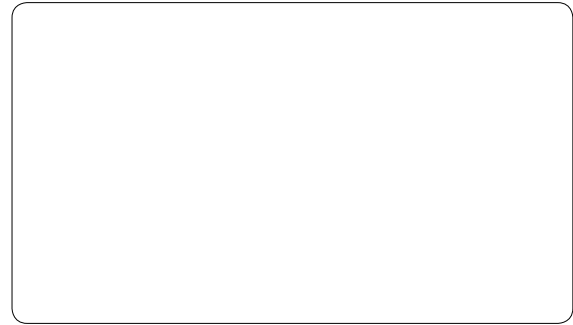
Safety instructions:

Read all of these instructions before installing fixtures.

- Keep all of the instructions for future reference.
- Turn off power before installing fixture.
- Installation is to be performed by a qualified electrician only.
- All installations are to conform to the standards of National Electrical Code as well as all local jurisdictional codes and regulations.
- Any modification of the luminaire will void any and all written or implied warranties.
- Do not open the luminaire - this will void the IP rating
- The manufacturer accepts no responsibility for damage to persons or property arising through improper use or installation.

THIS PRODUCT MUST BE INSTALLED IN ACCORDANCE WITH THE APPLICABLE INSTALLATION CODE BY A PERSON FAMILIAR WITH THE CONSTRUCTION AND OPERATION OF THE PRODUCT AND THE HAZARDS INVOLVED

Technical data:



Frame

Circular aluminum-profile with translucent film. Inner surface made of dried moss. Pendant light full-scale lighting, wall lamp from the outside inwards slightly decreasing illumination.

Dimension

Dimension			Fixture Weight	technical-unit Weight
Ø 2000	H 60	B 260 mm	22 kg	5 kg
Ø 78.7"	H 2.4"	B 10.2"	48.5 lb	11 lb

BO	pos.	quantity
Package 1, Frame		
Aluminium-ringframe	①	1 unit
Package 2, technical unit		
<input type="checkbox"/> Steel cable 5 m four-part 4 x straight suspension	③	1 unit
<input type="checkbox"/> Steel cable 5 m four-part 1 x trapeze suspension	③	1 unit
<input type="checkbox"/> Supply line Tu-Lf	④	1 unit
Gloves, white	⑤	1 pair
Screwdriver	⑤	1 unit
Assembly instruction	⑤	1 unit
Backup: Push terminal quadruple		1 unit
Push terminal double		1 unit
Stainless steel Decoration screw		1 unit
<input type="checkbox"/> RGB, X-Fade 6-channel		1 unit
<input type="checkbox"/> White, Dimmer 1-10 V Dimmer		1 unit
<input type="checkbox"/> DALI		1 unit



LUCE VERDE ANELLO



Warranty

Use the enclosed assembly instructions for the installation of the lighting fixture. Contravention of the assembly instruction leads to expiration of warranty. The present light fixture has been tested and is fully operational.

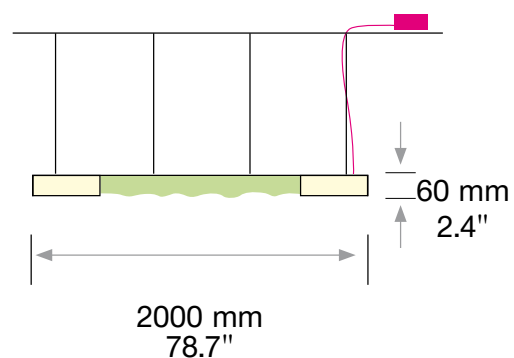
The assigned installation team is briefed to handle the product carefully and reliably to prevent damage towards third parties. The present light fixture has been tested in combination with the appendant technical part for full operational functions.



Delivery contains 2 packages

Unpack the light fixture and check completeness according to the bill of material. Use enclosed cloth gloves to prevent soiling of polished frame, screws and acrylic.

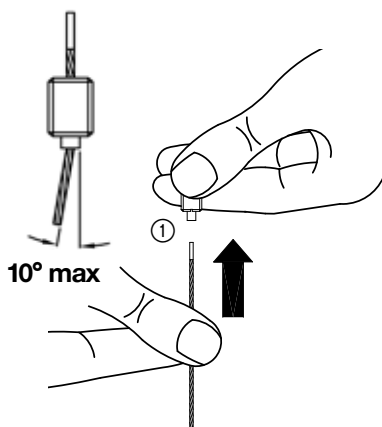
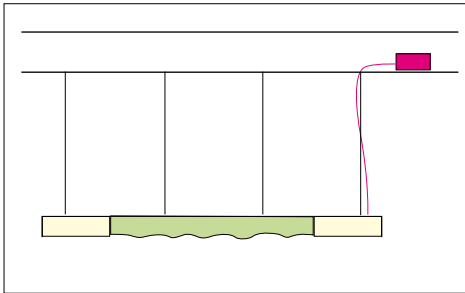
Remove protective film from acrylic.



LUCE VERDE ANELLO



1. Installation suspension with external power supply unit in suspended ceiling or separate canopy



1.1 Attachment of steel cable suspension

Mark anchor position of your light fixture on the ceiling according to drilling template (next page), please mind the different diameters of the light.

Pre-drill the anchor points with $\varnothing .25''$ (6mm), mount the wall plug and fix the steel cable bracket. Please ensure the load capacity of the ceiling is sufficient.

The steel cable bracket supports static loads. Requirement for safe use is a attachment to the ceiling (wall plug, hoes, etc.) which is supporting a ultimate load of 99 lb (45 kg). Attachment should be performed by a technician.

Insert the upper ends of the steel cable to the pre-mounted steel cable brackets on the ceiling. Through soft pressure on the spring-loaded nozzle of the steel cable bracket it is smoothly adjustable upward or downward to the desired position. As soon as there is load on the steel cable bracket, it will secure itself and it won't slide in any directions.

To adjust it again: lift the light fixture to relieve load of the steel cable brackets (!), give a soft push with your finger to the nozzle ①, now it is adjustable to any position again.

Please make sure that the steel cable is insert at least so far that it is visible at the lower end of the pre-mounted bracket. If required cut the superfluous cable.

Note:

The steel cable brackets are just for indoor use. Cables need to be flawless. The nozzle of the steel cable bracket must show noticeable spring loaded pressure. To ensure the full load capacity the cables shouldn't be greasy or rusty.

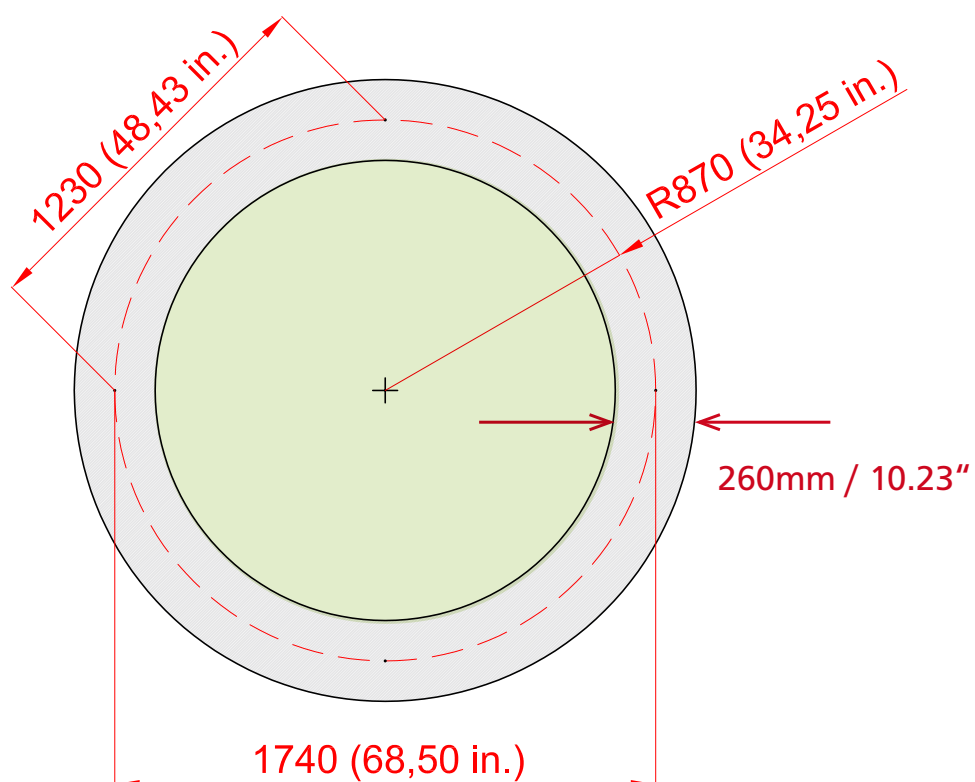
The steel cable brackets are just for use of supplied steel cables at static load.

The exit angle of the steel cable at the nozzle should on no account be more than 10° .

LUCE VERDE ANELLO

Depending on chosen suspension:

4 Suspension Points for straight suspension



ANELLO Ø 2000 mm / 78.74"

4 Suspension Points

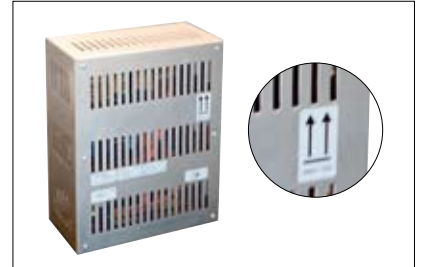
LUCE VERDE ANELLO



2. Installation of TU (technical unit) or canopy

The TU has to be mounted vertical (not the canopy) to guarantee air circulation.

It shouldn't be mounted horizontal. Connect the external power supply line to the TU. Please take note of the numbering on the strands ,when connecting the supply line between TU and light fixture. The distance between TU and light fixture should not be more than 10 meters.



2.1 Connection template

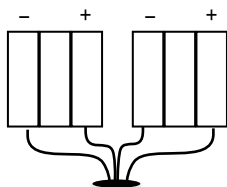
The connection has to be done in accordance to the terminal assignment. This varies depending on the diameter and the technical composition. Please connect pairwise.



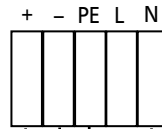
Pattern sample 0 - 10V / white

Technikeinheit / Baldachin

TU

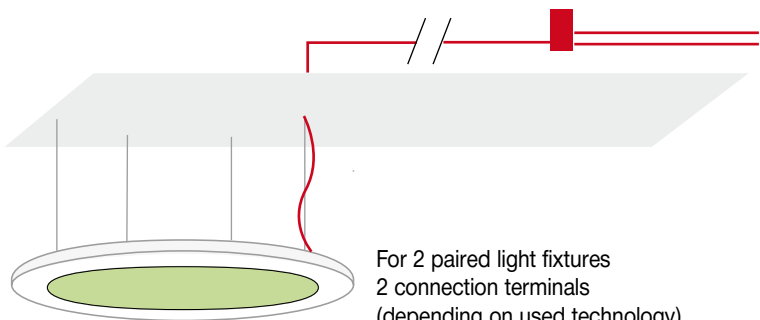
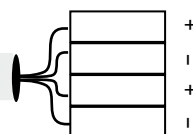


Push terminal



External supply line

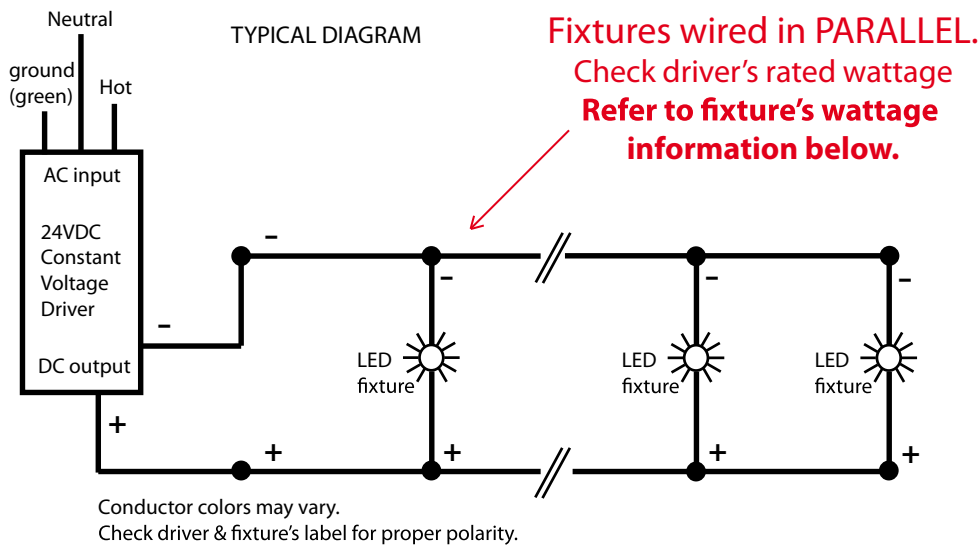
Light fixture



For 2 paired light fixtures
2 connection terminals
(depending on used technology)

LUCE VERDE ANELLO

Wiring Key Points	
1.	This product shall be installed by a qualified electrician.
2.	Make sure the main power supply to the driver is turned off when wiring either the LEDs or driver.
3.	LEDs shall be wired in parallel as shown in wiring diagram. CAUTION: incorrect wiring may damage LEDs.
4.	Wire shall be #18AWG stranded minimum. Large gauge wire shall be used to limit voltage drop in order to maintain the proper operating voltage. Take every precaution to avoid interference from other electrical circuits and equipment.
5.	Dimming circuits are more sensitive to voltage drop and electrical interference from other electrical sources.
6.	Isolating LED wiring by dedicated circuit for each control zone is recommended.
7.	Contractor shall verify the fixture quantities connected to the driver are compatible with the driver's specifications prior to energizing the circuit.
8.	All Class II power cable remote wiring and driver enclosures by others.
LED's can be permanently damaged if these points are not followed	



Maximum wiring distance*

Wire gauge	Load per driver		
	≤48W	≤72W	≤96W
#18AWG	37'	25'	18'
#16AWG	59'	39'	29'
#14AWG	95'	63'	47'
#12AWG	151'	101'	75'
#10AWG	241'	160'	120'

* Voltage drop guide for 24VDC. Actual Voltage drop to be calculated by installer.