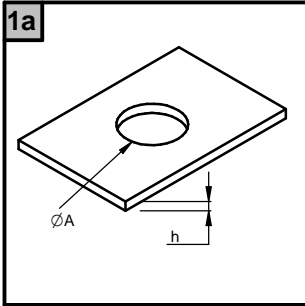
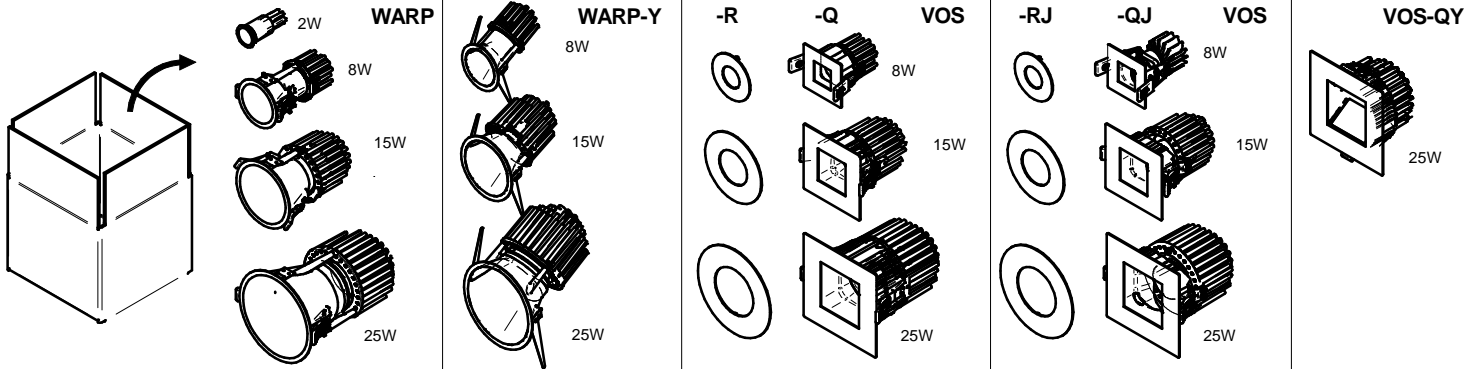
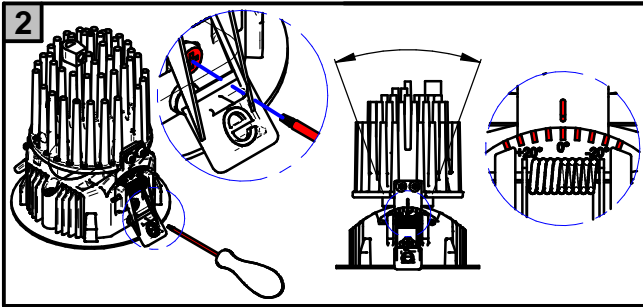


## WARP / WARP-Y / VOS\_R / VOS\_Q VOS\_RJ / VOS\_QJ / VOS\_QY

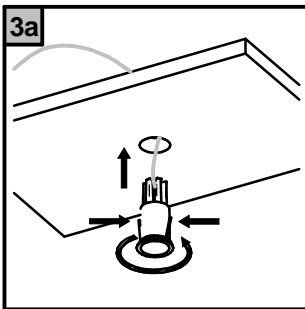


Art.	φ A	h
WARP (2W)	1,14"	0,3"-0,8"
WARP (8W)	2,56"	0,1"-0,8"
WARP (15W)	3,62"	0,1"-0,8"
WARP (25W)	5"	0,1"-0,8"
WARP-Y (8W)	2,52"	0,1"-0,8"
WARP-Y (15W)	3,62"	0,1"-0,8"
WARP-Y (25W)	5"	0,1"-0,8"
VOS (8W)	2,52"	0,2"-0,8"
VOS (15W)	3,74"	0,1"-0,8"
VOS (25W)	4,76"	0,1"-0,8"

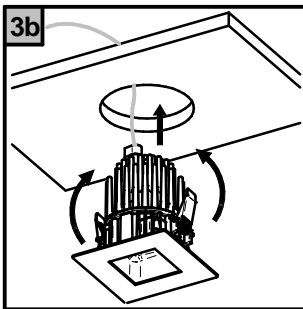
ART. VOS-RJ; VOS-QJ



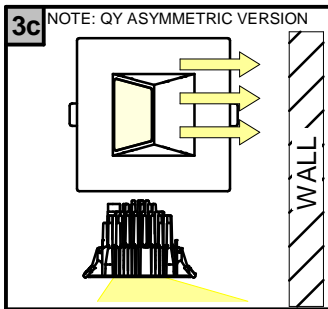
ART. WARP 2W



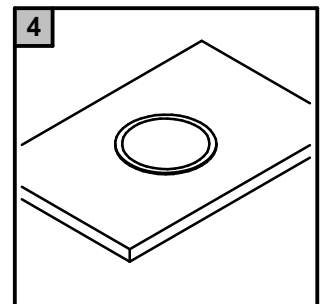
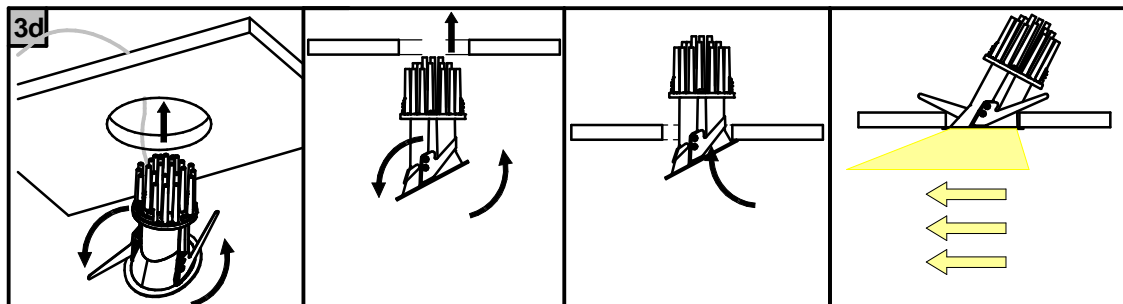
ART. VOS 8-15-25W



ART. VOS-QY



ART. WARP 8-15-25W



THIS PRODUCT MUST BE INSTALLED IN ACCORDANCE WITH THE APPLICABLE INSTALLATION CODE BY A PERSON FAMILIAR WITH THE CONSTRUCTION AND OPERATION OF THE PRODUCT AND THE HAZARDS INVOLVED

## MOUNTING INSTRUCTIONS

READ ALL OF THESE INSTRUCTIONS BEFORE INSTALLING FIXTURES

- CAUTION: USE ONLY WITH CLASS 2 POWER UNIT
- Keep all of the instructions for future reference
- Turn off power before installing fixture
- Installation is to be performed by a qualified electrician only
- All installations must conform to the National Electrical Code as well as all local jurisdictional codes and regulations
- Any modification of the luminaire will void any and all written or implied warranties
- The manufacture accepts no responsibility for damage to persons or property arising through improper use or installation

## INSTALLATION SEQUENCE

- Cut correct size opening in ceiling [1a]
- Mount remote driver in accessible well ventilated space
- Ensure power is off before connecting driver to line voltage
- Adjust tilting if present [2]
- Connect secondary wiring to fixture wiring
- Press the spring/springs and insert the article into the ceiling opening [3a - 3d]
- Turn the springs and insert the article into the ceiling opening [3b]
- WARNING - Be sure secondary wiring is connected to driver BEFORE energizing to avoid LED failure
- Energize