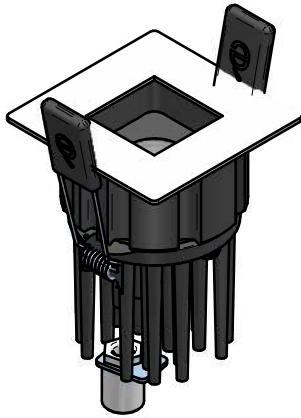


Data Sheet



Tab.1

FINISHES	CODE
WH	E95560
BK	E95561

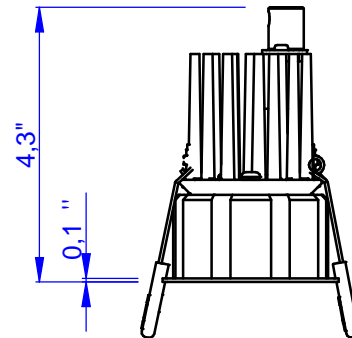
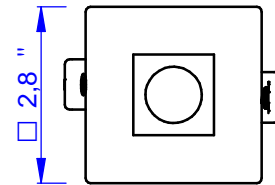
Finishes

- EMBOSSED WHITE (WH)
- EMBOSSED BLACK (BK)

Product Description

Recessed spot with "dark room" backward optics with 1 cutting-edge LED MULTICHIP. Front square flange in white or black painted steel (S235JR), black painted (RAL 9005) aluminium body and rear mounted heat sink in polished aluminium. Both finishes are powder coated with embossed surface. Installation into drywall or generally on false ceiling of thickness varying between 0,2" and 0,8". System "Darkroom" that reduces the glare of the light source. Recessed installation by means of torsion springs into a specific hole with 2,52" diameter. Power supply remote. Application in indoor environments IP44 on ceiling.

Dimensions



LED White :
 4000K - 3500K - 3000K - 2700K

Color LED :
 -

Optic :
 15° - 30° - 60°

LED RGB :
 -

Optic :
 -

Applications

Indoor Spotlights

Recessed mounting on the appropriate hole through springs incorporated into spotlight.

Power Led:

LED Cree XML - CRI 80

- Resin: No
- Cable included: Yes
- Cable type: 11,8" 2X22AWG red/blue cables
- Input (V - mA) : 630 mA
- Nominal power (W):8W
- Real power (W): Nominal Power
- Dimmable: Yes
- Temperature on the surface of the glass: 40°C
- Adjustability: No
- Drive-over : No
- Glow Wire: 850°
- Power supply: Remote
- Insulation class: Class 2
- IP 44
- IK 05
- Weight: 0,61 Lbs
- Volume: 71"³

⚠ : Ok

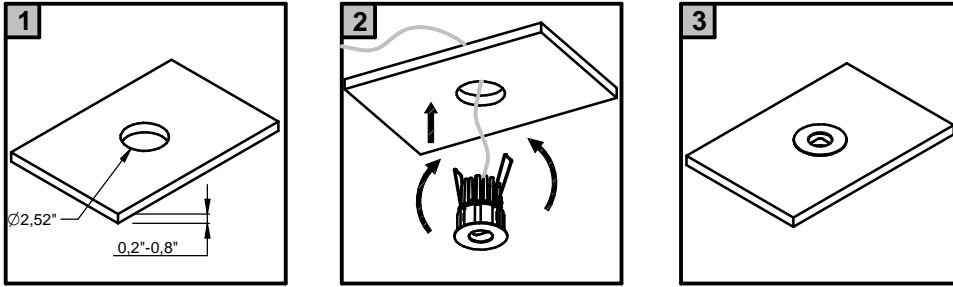
ETL : OK

Luminous flux

Tipo led	n°led	Lumen* LM80				Nomonal Power
		4000K	3500K	3000K	2700K	
XML CRI80	1	745	710	674	639	8W

* Value of the luminous flux from the LED data sheet.

VOS-Q (8W)



THIS PRODUCT MUST BE INSTALLED IN ACCORDANCE WITH THE APPLICABLE INSTALLATION CODE BY A PERSON FAMILIAR WITH THE CONSTRUCTION AND OPERATION OF THE PRODUCT AND THE HAZARDS INVOLVED

MOUNTING INSTRUCTIONS

READ ALL OF THESE INSTRUCTIONS BEFORE INSTALLING FIXTURES

- Keep all of the instructions for future reference
- Turn off power before installing fixture
- Installation is to be performed by a qualified electrician only
- All installations must conform to the National Electrical Code as well as all local jurisdictional codes and regulations
- Any modification of the luminaire will void any and all written or implied warranties
- The manufacture accepts no responsibility for damage to persons or property arising through improper use or installation

INSTALLATION SEQUENCE

- Mount remote driver in accessible well ventilated space
- Ensure power is off before connecting driver to line voltage
- Rough in secondary wiring above ceiling to fixture location
- Cut correct size opening in ceiling [1]
- Connect secondary wiring to fixture wiring
- Set tilt (IF ANY)
- Insert fixture into ceiling opening, fastening with spring clips

WARNING - Be sure secondary wiring is connected to driver BEFORE energizing to avoid LED failure

- Energize