

Tab.1

CRI	FINISHES	COD.
80	WH	E95960
80	BK	E95961
93	WH	E96287
93	BK	E96288

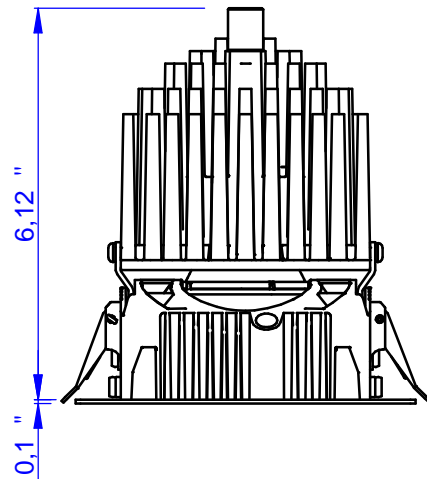
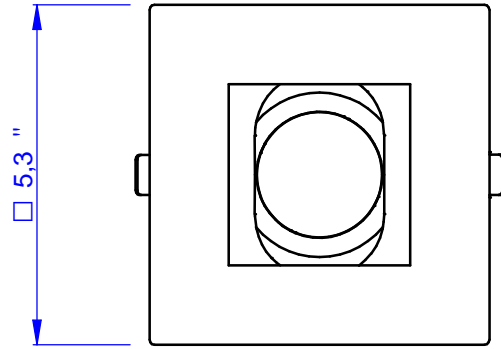
Finishes

- EMBOSSSED WHITE (WH)
- EMBOSSSED BLACK (BK)

Product Description

Recessed tilting spot with "dark room" backward optics with 1 cutting-edge LED COB. Front square flange in white or black painted steel (S235JR), black painted (RAL 9005) aluminium body and rear mounted heat sink in polished and black painted (RAL9005) aluminium. Both finishes are powder coated with embossed surface. Installation into drywall or generally on false ceiling of thickness varying between 0,1" and 0,8". System "Darkroom" that reduces the glare of the light source. Recessed installation by means of torsion springs and thin sheets into a specific hole with 4,76" diameter. Power supply remote. Application in indoor environments IP44 on ceiling.

Dimensions



LED White :
 4000K - 3500K - 3000K - 2700K

Color LED :
 -

Optic:
 15° - 30°

LED RGB :
 -

Optic :
 -

Applications

Indoor Spotlights

Recessed mounting on the appropriate hole through springs incorporated into spotlight.

Power Led:

LED Cree CXA: CRI83 / CRI95

Luminous flux

Tipo led	n°led	Lumen* LM80				Nominal Power
		4000K	3500K	3000K	2700K	
CREE CRI83	1	2882	2781	2680	2505	25W
CREE CRI95	1	2180	2037	1893	1760	25W

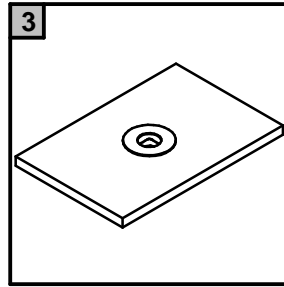
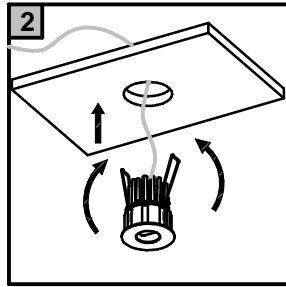
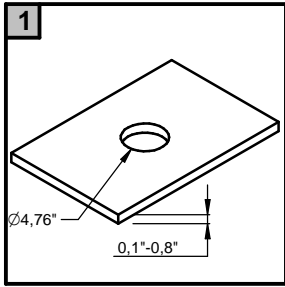
* Value of the luminous flux from the LED data sheet.

- Resin: No
- Cable included: Yes
- Connector type: 11,8" 2X22AWG red/blue cables
- Input (V - mA) : 720 mA
- Nominal power (W): 25W
- Real power (W): Nominal Power
- Dimmable: Yes
- Temperature on the surface of the glass: 40°C
- Adjustability: Yes
- Drive: No
- Glow Wire: 850°
- Power supply: Remote
- Insulation class: Class 2
- IP 44
- IK 05
- Weight: 2,05 Lbs
- Volume: 260"³

Photometric data (example)



VOS-QJ (25W)



THIS PRODUCT MUST BE INSTALLED IN ACCORDANCE WITH THE APPLICABLE INSTALLATION CODE BY A PERSON FAMILIAR WITH THE CONSTRUCTION AND OPERATION OF THE PRODUCT AND THE HAZARDS INVOLVED

MOUNTING INSTRUCTIONS

READ ALL OF THESE INSTRUCTIONS BEFORE INSTALLING FIXTURES

- Keep all of the instructions for future reference
- Turn off power before installing fixture
- Installation is to be performed by a qualified electrician only
- All installations must conform to the National Electrical Code as well as all local jurisdictional codes and regulations
- Any modification of the luminaire will void any and all written or implied warranties
- The manufacture accepts no responsibility for damage to persons or property arising through improper use or installation

INSTALLATION SEQUENCE

- Mount remote driver in accessible well ventilated space
- Ensure power is off before connecting driver to line voltage
- Rough in secondary wiring above ceiling to fixture location
- Cut correct size opening in ceiling [1]
- Connect secondary wiring to fixture wiring
- Set tilt (IF ANY)
- Insert fixture into ceiling opening, fastening with spring clips

WARNING - Be sure secondary wiring is connected to driver BEFORE energizing to avoid LED failure

- Energize