

# Edgeless Nose

## Installation Instructions

### Pre-Instalaltion

#### Pre-installation:

Inspect material to verify all material has been received.

Report shipping damage or missing items immediately.

Organize all material by 'System' using BOM per System.

components supplied with housings

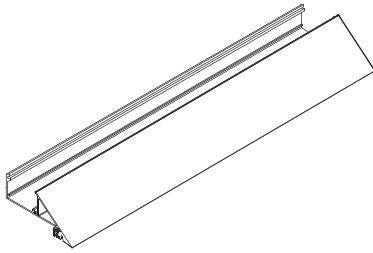


820-10220-101  
Straight connector  
w/ 4 x M4 set screws



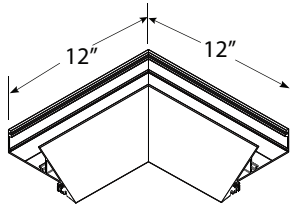
820-10039-300  
Straight connector  
w/ 4 x M3 set screws

#### Linear Housing

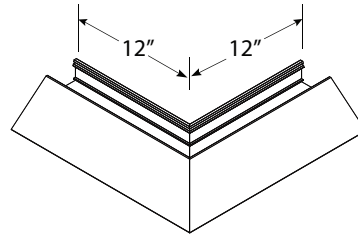


831-96000-EN (96.000" length)  
exact length and quantities per  
project BOM

#### Corner Housings

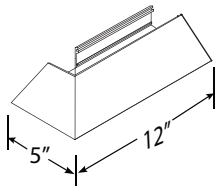


831-12000-C90C-EN  
90 deg. coffer corner (inside corner)

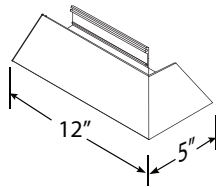


831-12000-C90R-EN  
90 deg. raft corner (outside corner)

#### End Return Housings

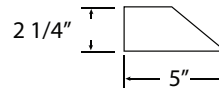


831-12000-LWR-EN  
left wall return option

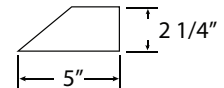


831-12000-RWR-EN  
right wall return option

#### End Caps



820-10222-304  
left end cap option

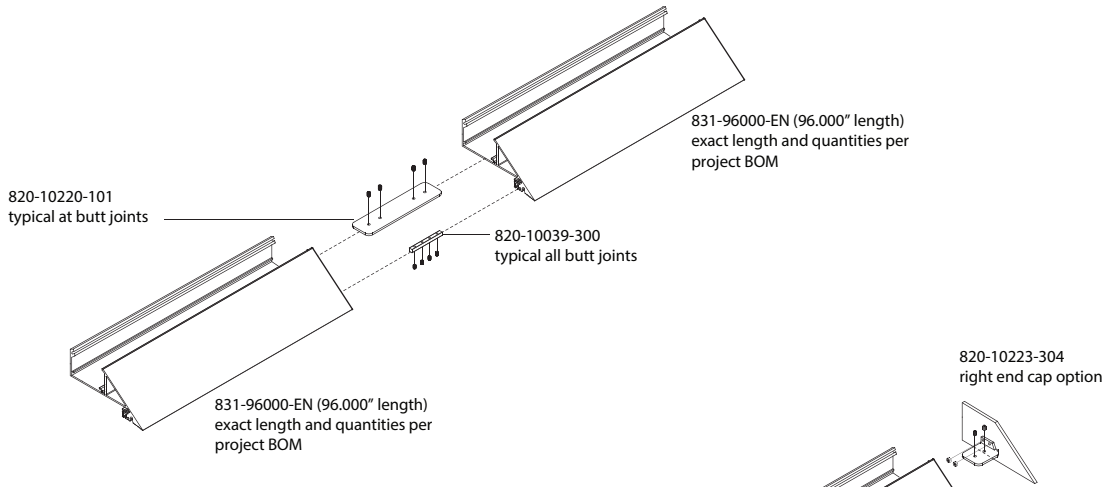


820-10223-304  
right end cap option

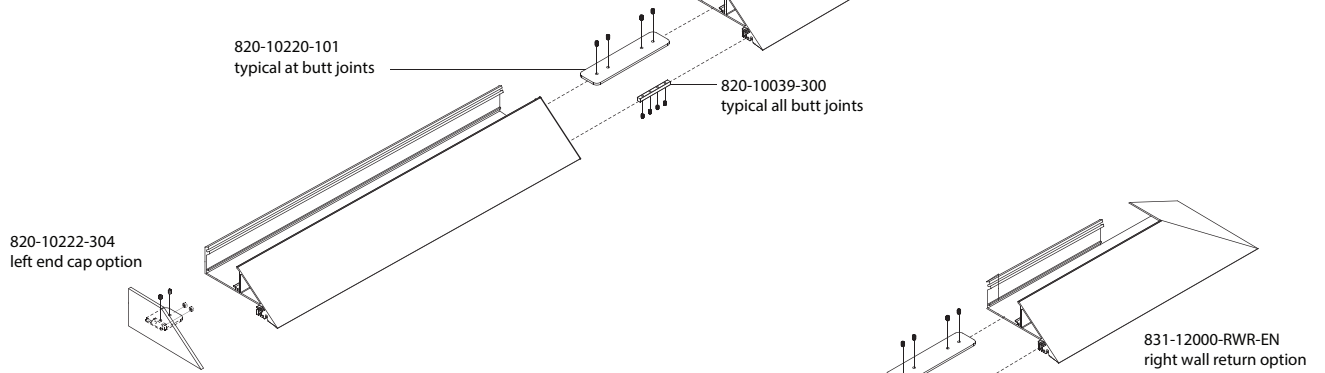
# Edgeless Nose

## Installation Instructions

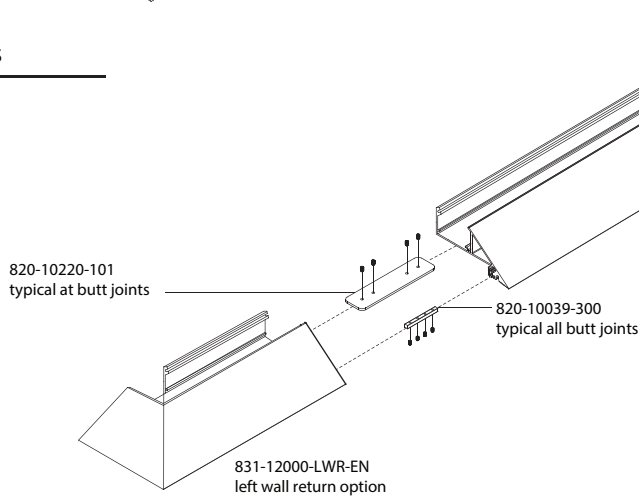
### Systems - Straight Runs 'S'



### 'S', Wall to Wall



### 'S', with End Caps

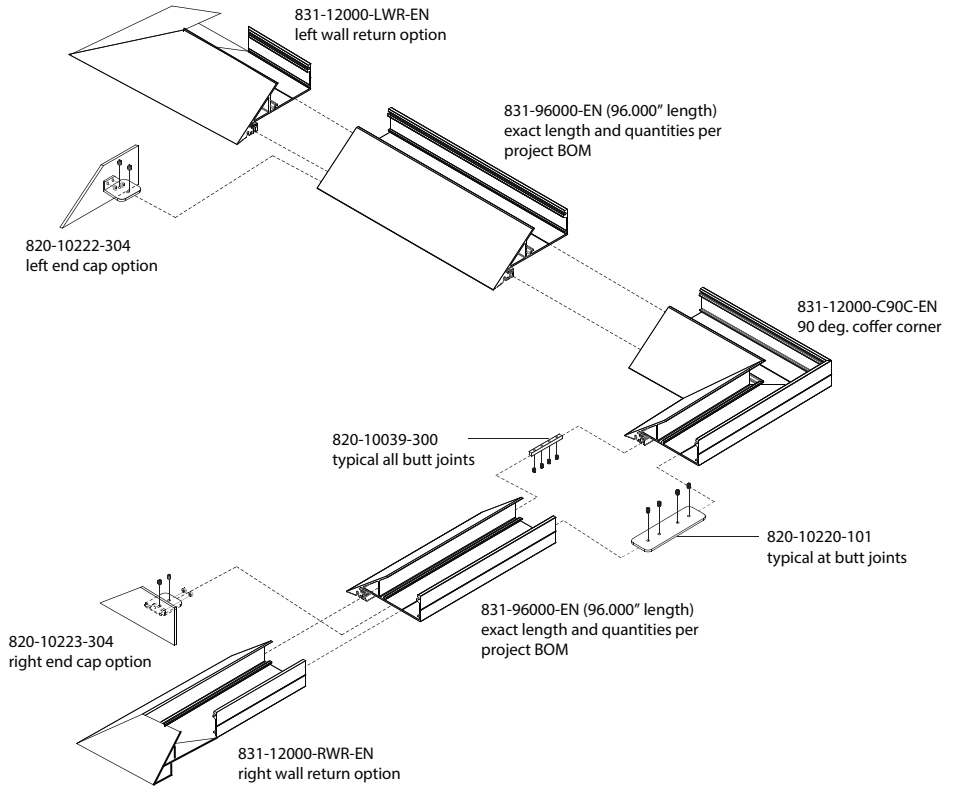


### 'S', with End Returns

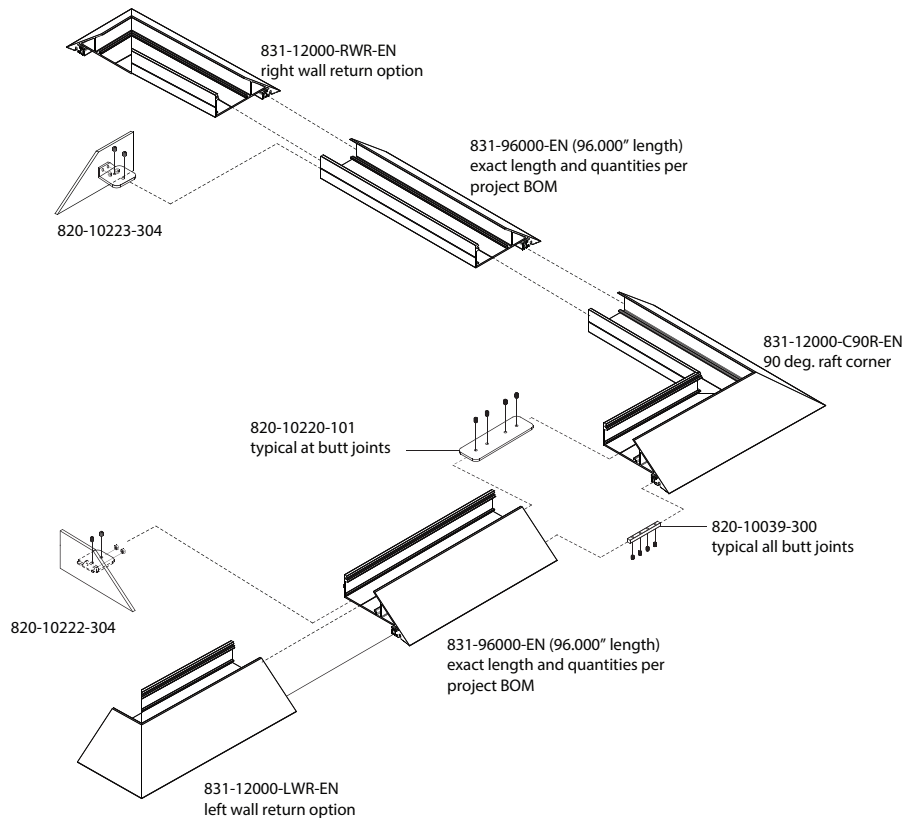
# Edgeless Nose

## Installation Instructions

### Systems - Patterns 'P2C' and 'P2R'



'P2C', 2 sided with coffer corner (inside corner)

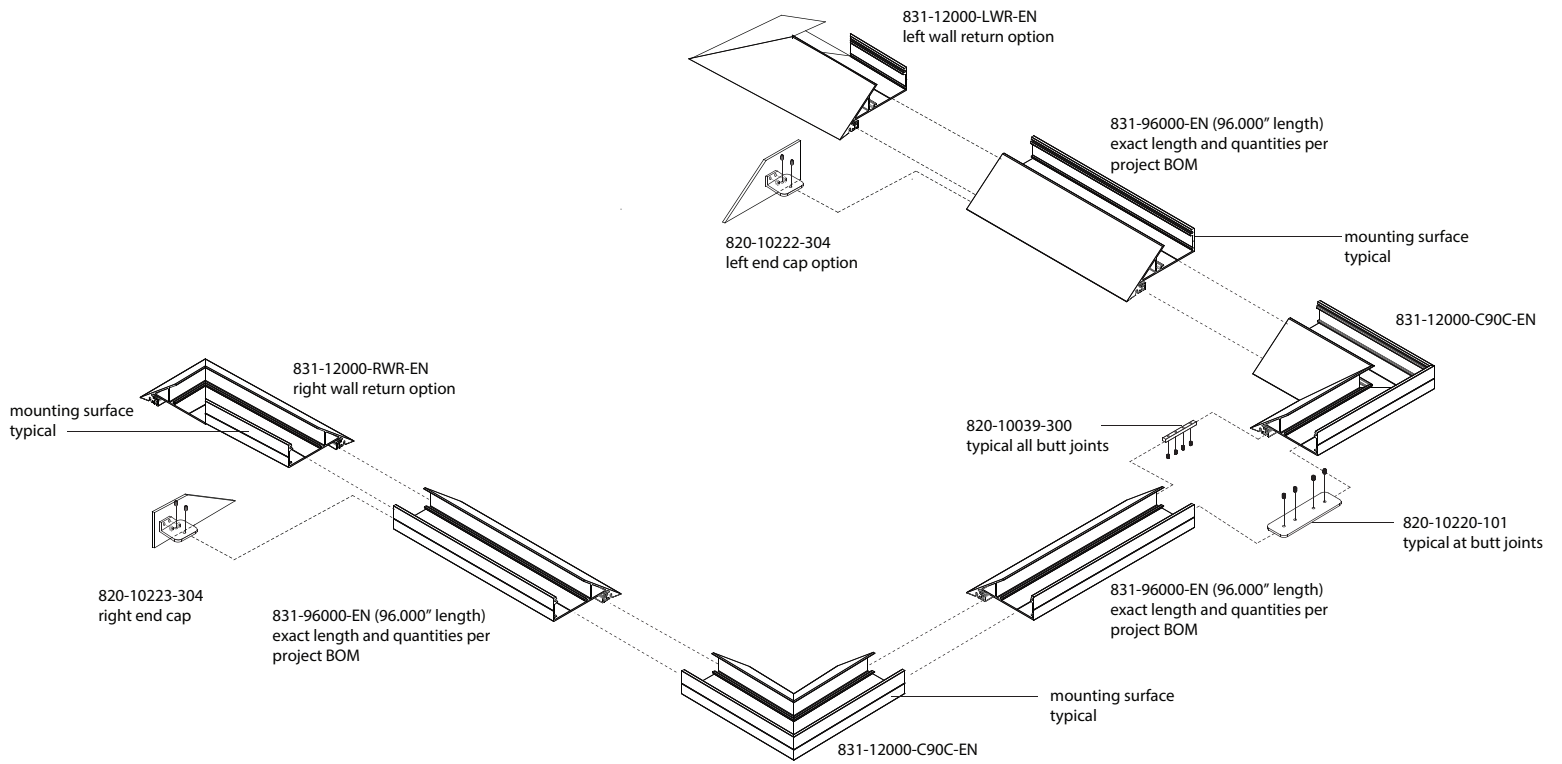


'P2R', 2 sided with raft corner (outside corner)

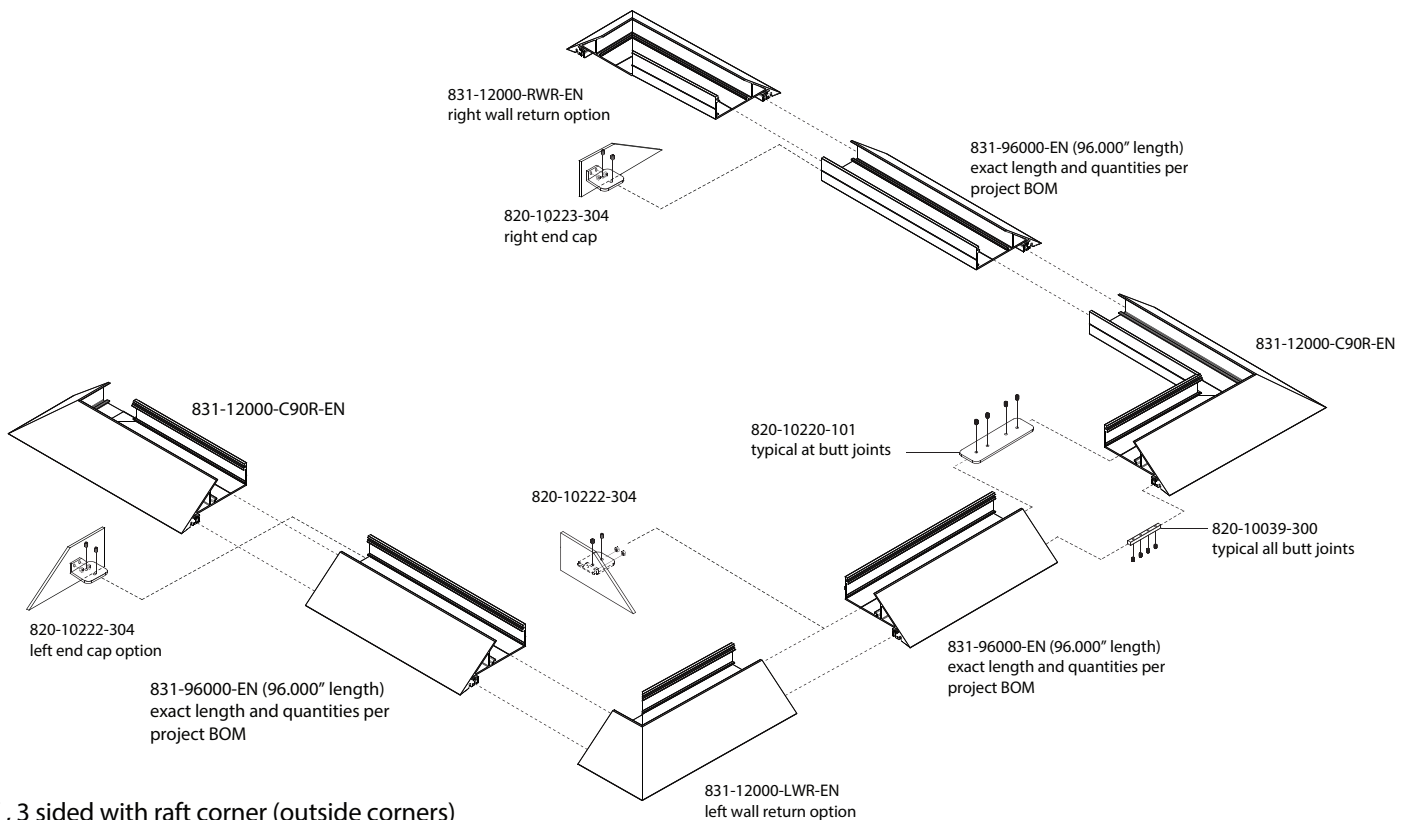
# Edgeless Nose

## Installation Instructions

### Systems - Patterns P3C' and 'P3R'



### 'P3C', 3 sided with coffer corner (inside corners)

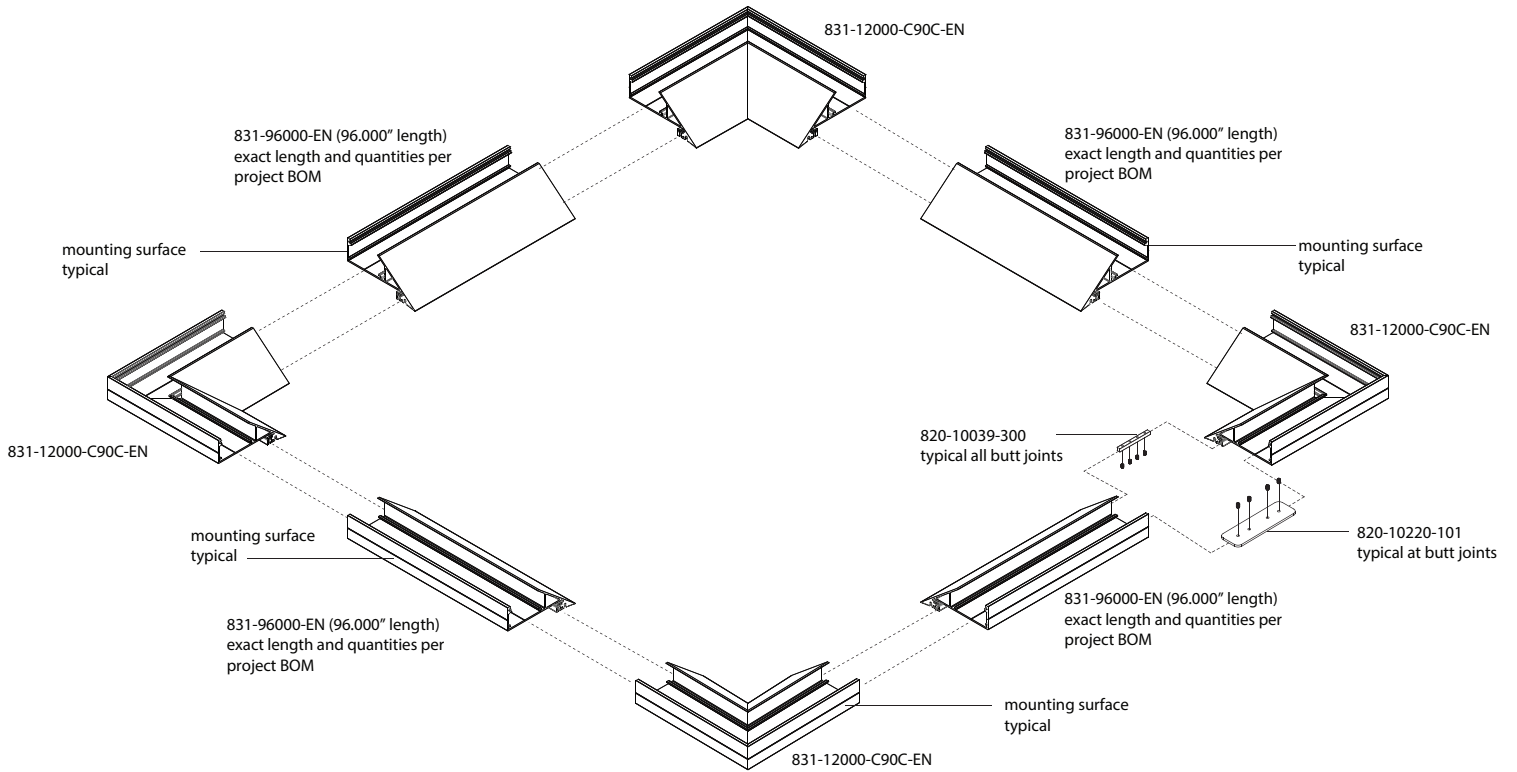


### 'P3R', 3 sided with raft corner (outside corners)

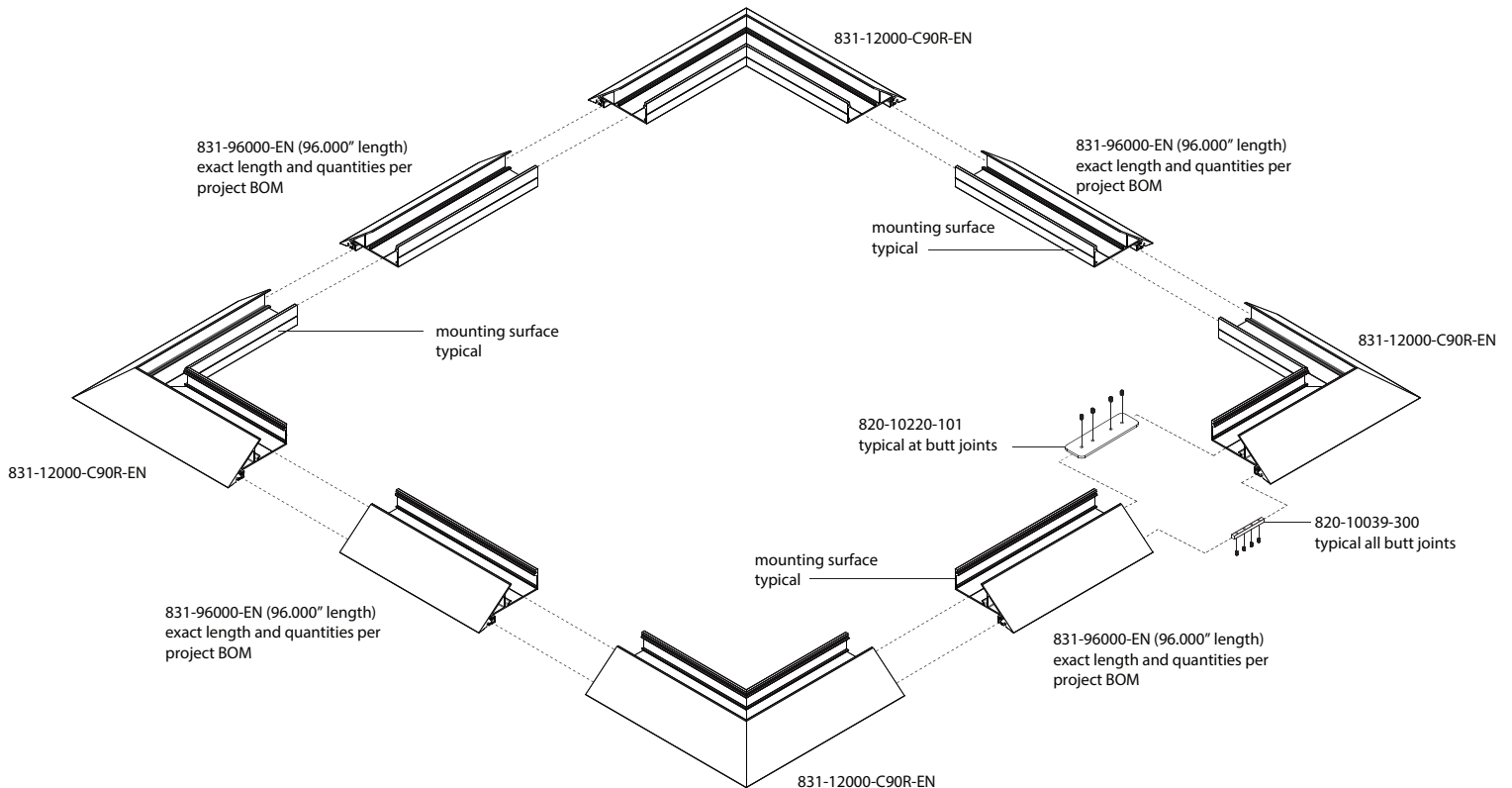
# Edgeless Nose

## Installation Instructions

### Systems - Patterns 'P4C' and 'P4R'



'P4C', 4 sided with coffer corner (inside corners)

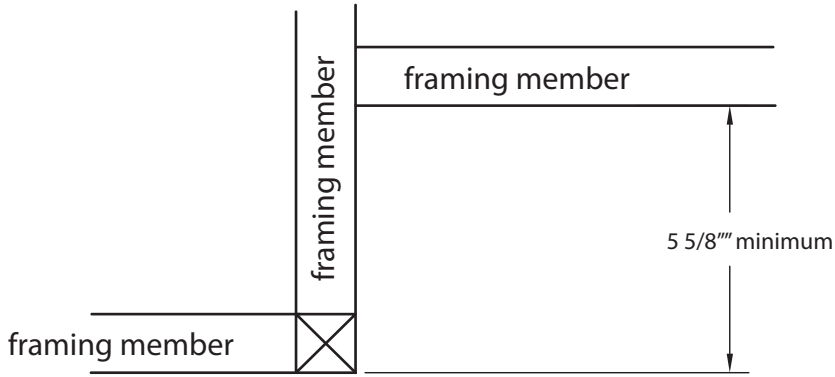


'P4R', 4 sided with raft corner (outside corners)

# Edgeless Nose

## Installation Instructions

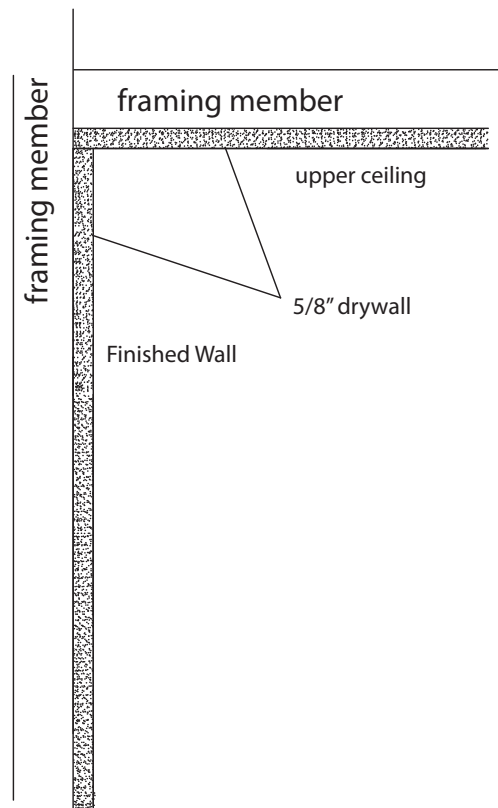
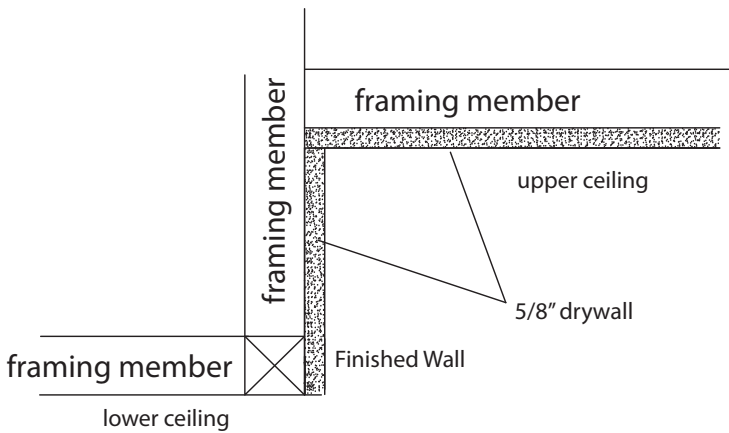
### Rough-in



### Wall Preparation:

1. Begin installation by providing rough-in wall and ceiling structure for each 'System' location.
2. Install 5/8" drywall onto upper ceiling and cove wall.
3. Tape and mud joints. Sand to smooth finish and apply paint primer and paint color.

### Framing

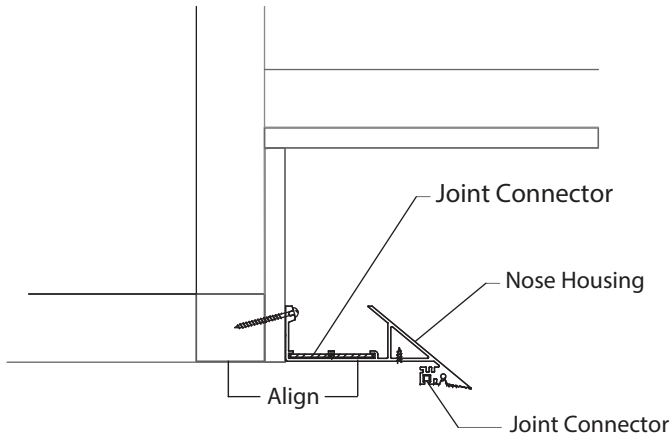


### Finished Mounting Surfaces

# Edgeless Nose

## Installation Instructions

### Mounting Housing



### Attaching Housing to Mounting Surface

#### Housing Installation:

1. Mount housing onto finished mounting surface (cove wall) with #8 pan head screws at 16" on center using continuous screw port located in housing.

Pre-drilling pilot hole to align with structure is recommended to simplify mounting.

Recommend starting at end of straight runs or at the corner for patterns.

2. Screws shall fasten to wall/ceiling building framing members. Total fixture weight 1.5 lbs per foot.

Increase weight as required to accommodate light fixtures supplied by others.

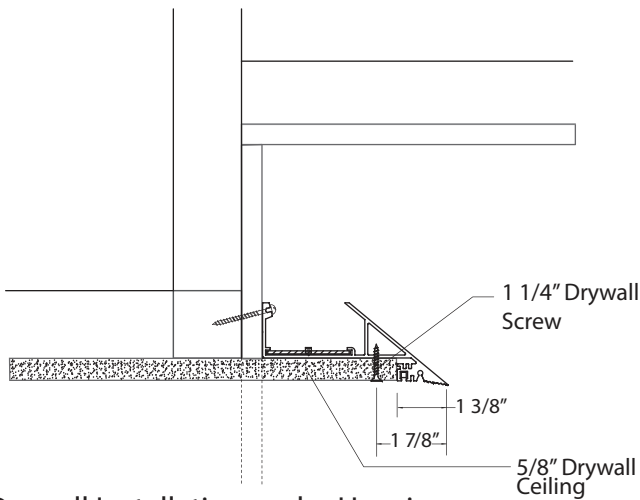
3. Mount additional housings as indicated in #3 above with the addition of sliding the pre-installed joint connector and nose alignment connector to attach joining extrusions.
4. Secure connectors in place with four set screws (two set screws on each side of the joint).
5. Install all housings within a given 'System' repeating #1 and #2 above.
6. Install 5/8" drywall to the underside of the housing and fasten with 1 1/4" drywall screw 1 7/8" from housing nose edge.

7. Apply drywall mud and mesh tape to form a smooth taper from housing nose edge to adjoining ceiling plan or wall surface. Apply multiple thin coats of mud to ensure a smooth taper. Allow each coat to dry and sand smooth before applying the next coat of mud.

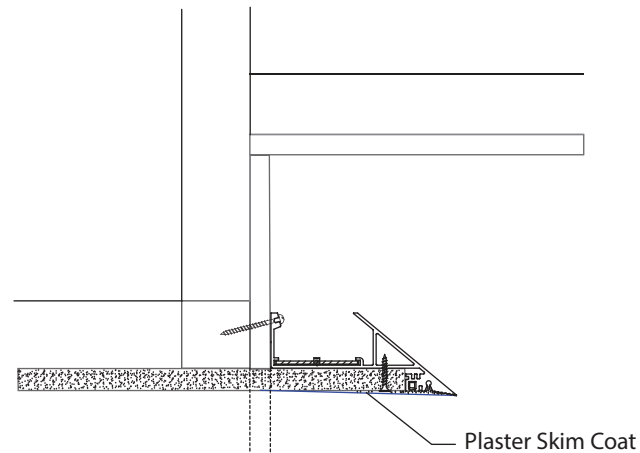
8. Apply paint primer and paint color.

#### Important:

Housing lengths are based on finished mounting surface dimensions as approved on submittal drawings. Any deviation in the finished mounting surface dimension will result in housings being too long or too short. If this occurs new housings will need to be ordered with the exact length required to complete the 'System(s)'.



### Drywall Installation under Housing



### Drywall Mud Skim Coat