

Mini Edgeless Cove

The original continuous linear knife edge cove system featuring plaster-in precision knife edge for clean, minimal effect

- Delivers a continuous, even wash of directed light to the ceiling above, and redirected light to softly illuminate the back of the cove.
- Light source positioned for optimum horizontal spread of illumination.
- Light source is not visible from any viewing angle up to and including direct horizontal view.
- Satin Diffuser for high efficiency and soft edge beam without striations.
- Removable light source sub assembly for ease of installation and maintenance.
- High efficiency linear LED in a range of outputs, including static white, tunable white, warm dim and RGBW.
- Mini size requires remote driver.
- Lengths and angles factory cut to exact field dimensions.
- Mitered and welded corners available with continuous illumination.
- Made in the USA.



Housing Precision extruded aluminum for true dimensions and tolerances
Alignment hardware for invisible seam from below
Housing provided in any exact length
Unitized gear tray with LEDs for easy final installation
Standard and tailored lengths
Corners: standard and non-standard
Finishes: RAL 9010 white 15% gloss

Integration Seamless, architectural integration into gypsum for minimal visual detail and true knife edge

Distribution Low angle forward throw reflector with max beam at 130 degrees
Back light reflector delivers soft, even illumination to the cove

LED >90 CRI, 3-Step MacAdam, 2700-4000K static white
1.5W - 15W per foot, 180 nominal lumens per watt average, constant current
Tunable white 2200-4000K, 80 nominal lumens per watt average
Warm Dim to emulate incandescent when dimming; 75 nominal lumens per watt average
RGBW, 50 nominal lumens per watt
L70 (TM21 Projected 85C) Static White / Tunable White = 72,000 hours, RGBW = 50,000 hours, WD = 36,000 hours

Lens SSD - snap-on satin diffuser for high efficiency and soft edge beam without striations.
SDC - satin clear dust cover for wipe down applications

Driver Remote driver
Compatible with quality constant current (Static White / Tunable White) and constant voltage (WD / RGBW) drivers

Connectivity POE
Wireless

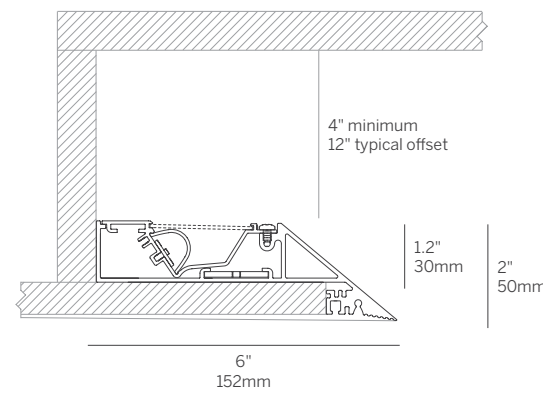
Weight 2lbs per foot

Operating Temp Suitable for operation in maximum ambient temperature of 35C (95F)

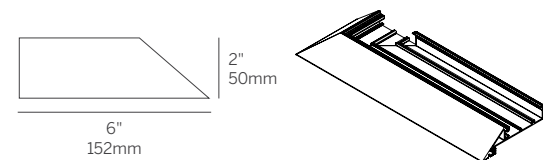
Warranty 5-year Limited (see complete company warranty information)

Certifications ETL and ETL-C for dry and damp location, CE

Voltages Low Voltage Fixture, 120-277VAC Driver (remote)



Gypsum Ceiling Mounting



End Caps
MEC-LEC/REC

End Wall Returns
MEC-LWR/RWR

Mini Edgeless Cove

Model	Fixation	Pattern	Length	Power ³	CRI/CCT ⁴	Driver ⁶	Lens	Finish ⁷	Options
WG-MEC	RPT	S ¹ PC ² PR ² PPI ² PPO ² PZ ²	A A x B A x B x C A x B x A x B	P0 P1 P2 P3 P4	927 930 935 940 TW ⁵	E1 L1 POE BT DALI TQ	SSD (std) SDC	W (std) F	LEC REC LREC LWR RWR EM
				L M H	WD RGBW	D010 DPH L3DAE L3D0E EL96 DMX			

Model

- WG-MEC = Mini Edgeless Cove

Fixation

- RPT = Recessed plaster trim

Pattern

- S = Straight run¹
- PC = Standard patterns coffer 2, 3 or 4 sided with 90° inside corners²
- PR = Standard patterns raft 2, 3 or 4 sided with 90° outside corners²
- PPI = Wall to wall / wall to ceiling, 90° inside corner²
- PPO = Wall to wall / wall to ceiling, 90° outside corner²
- PZ = Non-standard patterns and/or corners other than 90°, consult factory²

Length

- A, B, C = specify inches to the nearest 0.25" (i.e. 72.25") For patterns specify each length (i.e. 2 sided: A x B = 72.25" x 48"; 3 sided: A x B x C; 4 sided: A x B x A x B)

Power³

- P0 = 1.5 W/ft
- P1 = 3 W/ft
- P2 = 6 W/ft
- P3 = 10 W/ft
- P4 = 15 W/ft
- L = 2.7 W/ft WD low power (24V)
- M = 5.5 W/ft WD medium power (24V) [RGBW 7.6 W/ft]
- H = 8W/ft WD high power (24V)

CRI / CCT (90+ CRI minimum)⁴

- 927 = 2700K
- 930 = 3000K
- 935 = 3500K
- 940 = 4000K
- TW = Tunable White 2200K - 4000K⁵
- WD = Warm Dim 1800K-3000K
- RGBW = 3000K White

Driver (remote)⁶

- E1 = eldoLED 0.1% dimming, 0-10V (120-277V)
- L1 = Lutron 1% dimming, EcoSystem (120-277V)
- POE = Power over Ethernet
- BT = Wireless CAS - Casambi (Must specify BT with E1 or DALI)
- DALI = eldoLED DALI DT8 0.1% (120-277V)
- TQ = T-series for Lutron Quantum 0.1% (120-277V) [TW only]
- D010 = Osram, 10%, 0-10V dimming, 120-277V [WD only]
- DPH = Phase Dimming, 1% dimming, 120V only [WD only]
- L3DAE = Lutron Hi-lume 1% EcoSystem, 120-277V [WD only]
- L3D0E = Lutron Hi-lume Premier 0.1% EcoSystem, 120-277V (remote) [WD only]
- DMX = Osram + eldoLED 24V, DMX dimming [WD + RGBW Only]

Lens

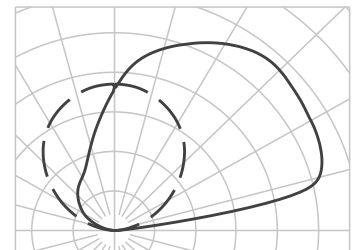
- SSD = Snap On Satin Diffuser (standard)
- SDC = Satin Clear Dust Cover

Finish⁷

- W = White, 15% gloss, RAL 9010 / Tiger Drylac 009/10120 (standard)
- F = Custom finish, specify RAL

Options

- LEC = Left end cap
- REC = Right end cap
- LREC = Left & Right end caps
- LWR = Left wall return
- RWR = Right wall return
- EM = Emergency LED driver (remote)



Polar Plot

Whitegoods reserves the right to change any information without prior notice.

Notes

- Standard setup assumes the cove ends at a perpendicular wall and the LED board is setback from the end to minimize light on the perpendicular wall. Contact us for options.
- See pattern specs sheet.
- Wattage shown does not include power supplies/drivers.
- Refer to specs sheet for delivered lumen data for all product configurations.
- TW offered up to P3 (10W/ft) power level.
- See power supply page for details.
- See Tiger Drylac color chart: inter-lux.com/tiger.

