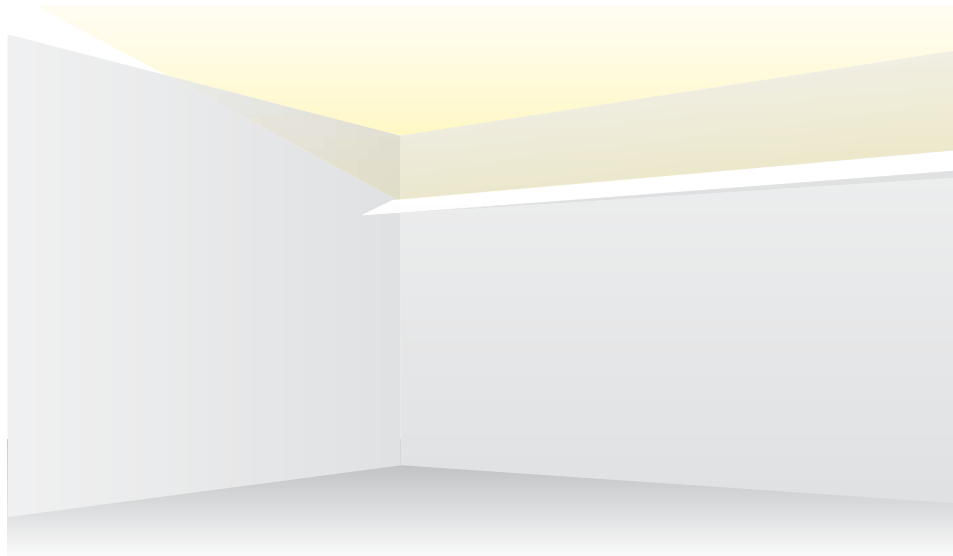


Edgeless Cove and Box Cove - Indirect/Uplighting

WG EC-RPT, WG MEC-RPT, WG BC-SM, WG MBC-SM



A family of luminaires suited to uplighting applications, producing plenty of even ambient light and lifting the ceiling for a fresh feel to the space.

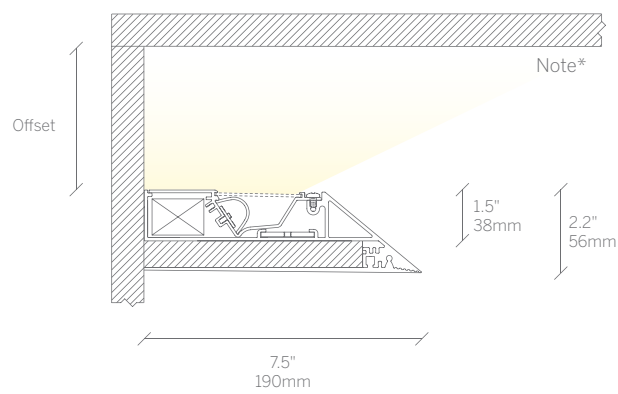
The Edgeless Coves have a leading edge which rakes back to minimize the impression of the luminaire.

The Box Cove has a simple, minimal form factor allowing it to deliver light with the minimum visual impact.

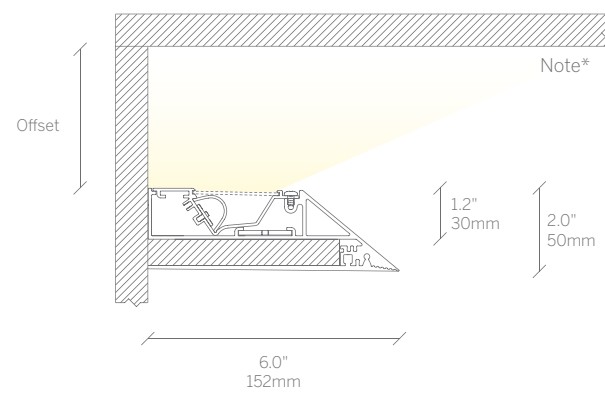
In both cases the aluminum profile forms a perfectly crisp contrasting edge against the lit surface above.

Mounting and Recommended Spacing

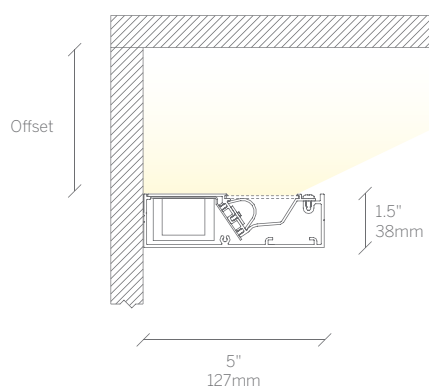
Edgeless Cove



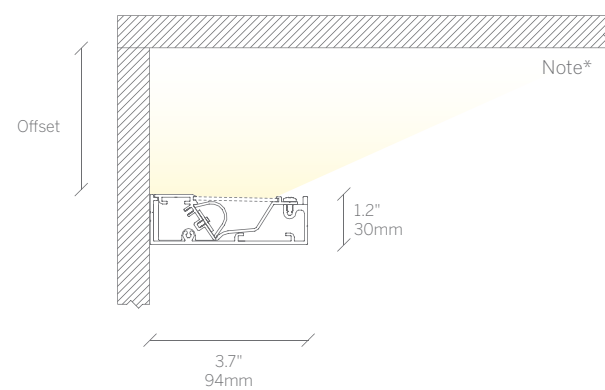
Mini Edgeless Cove



Box Cove



Mini Box Cove



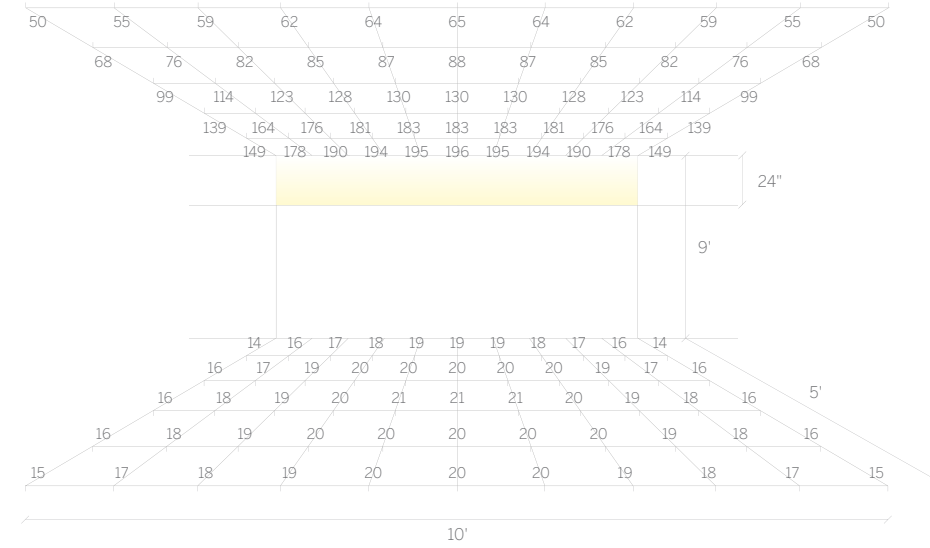
Note*

Paint out all internal surfaces of cove in matt white.

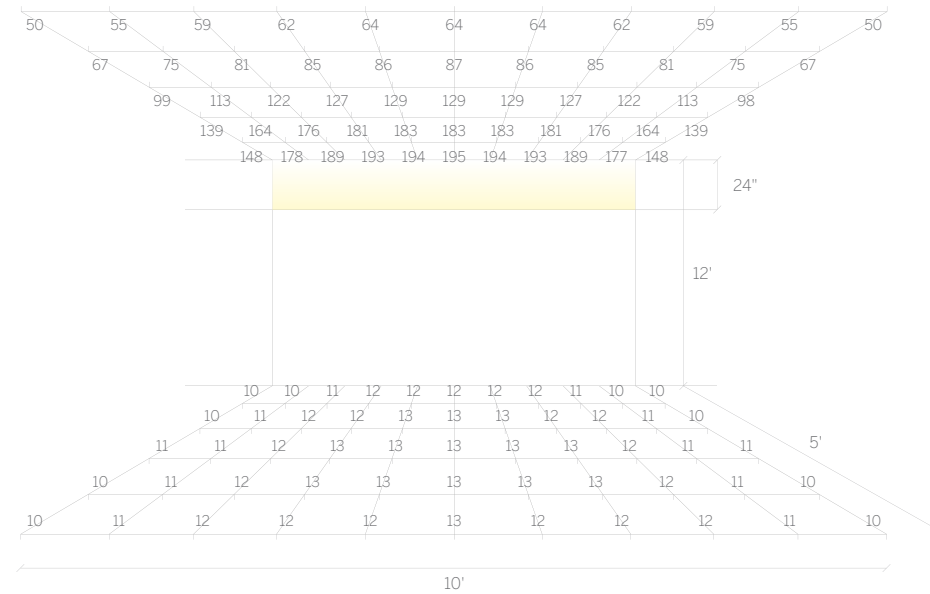
Offset

Typical Offset 12"
Minimum Offset 4"
Optimum Offset 24"

9' Ceiling, 24" Optimum Offset



12' Ceiling, 24" Optimum Offset



Values in Foot Candles

The diagrams show the expected light level on the floor and ceiling adjacent to a concealed cove mounting position at the distance from the ceiling indicated.

This page shows what we feel are the optimal offsets for the ceiling heights as shown. The following page shows results at different offsets.

Calculated on the following basis:

Reflectances

Ceiling 70%
Walls 50%
Floor 20%

Maintenance factor

1.0

LED

897lm/ft*
3000 Kelvin
90 CRI

Diffuser

Snap in Satin

Edgeless Cove Plaster Trim

Product Details

Mini Edgeless Cove Plaster Trim

Product Details

Box Cove Surface Mount

Product Details

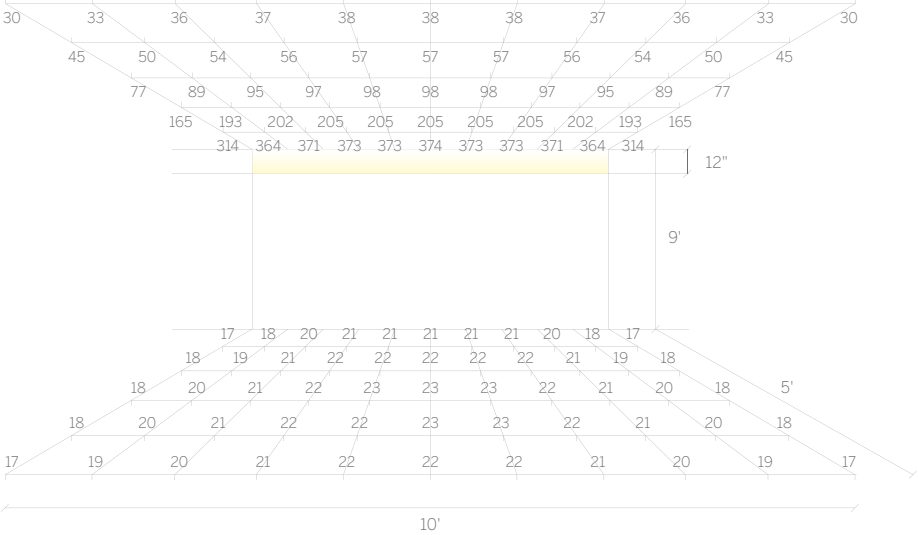
Mini Box Cove Surface Mount

Product Details

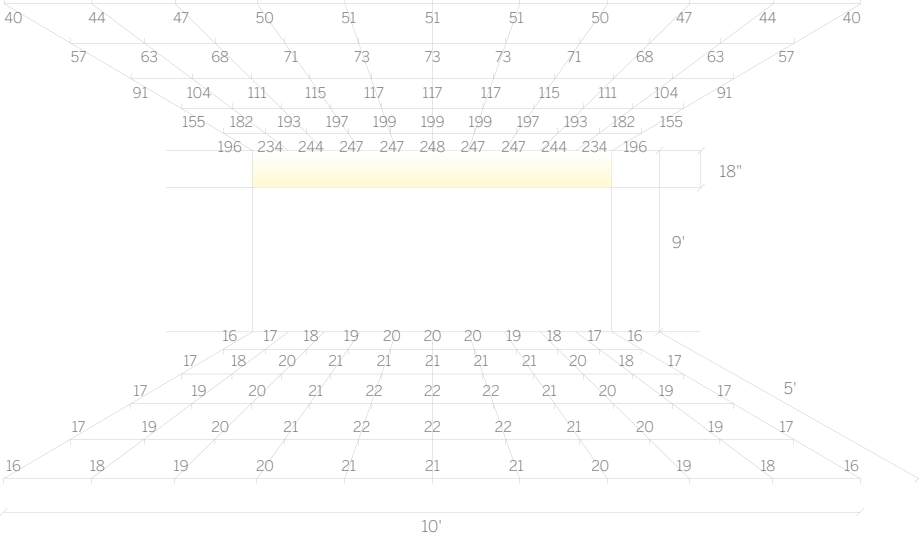
Edgeless Cove and Box Cove - Indirect/Uplighting

WG EC-RPT, WG MEC-RPT, WG BC-SM, WG MBC-SM

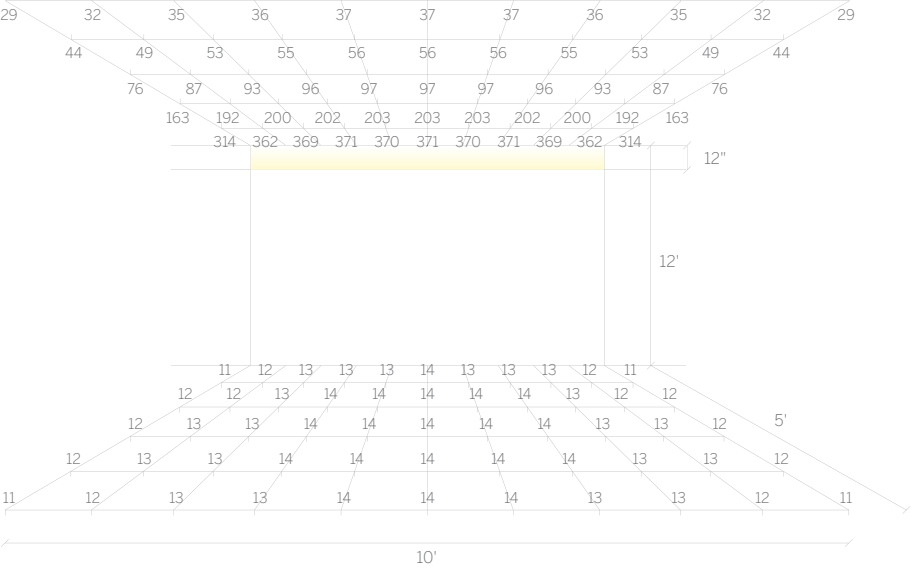
9' Ceiling, 12" Offset



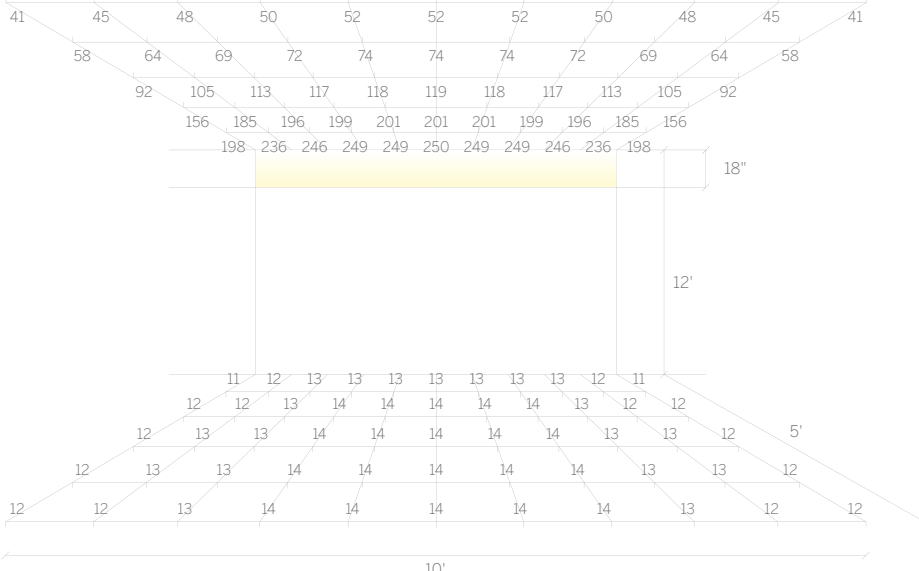
9' Ceiling, 18" Offset



12' Ceiling, 12" Offset



12' Ceiling, 18" Offset



Values in Foot Candles

Values in Foot Candles

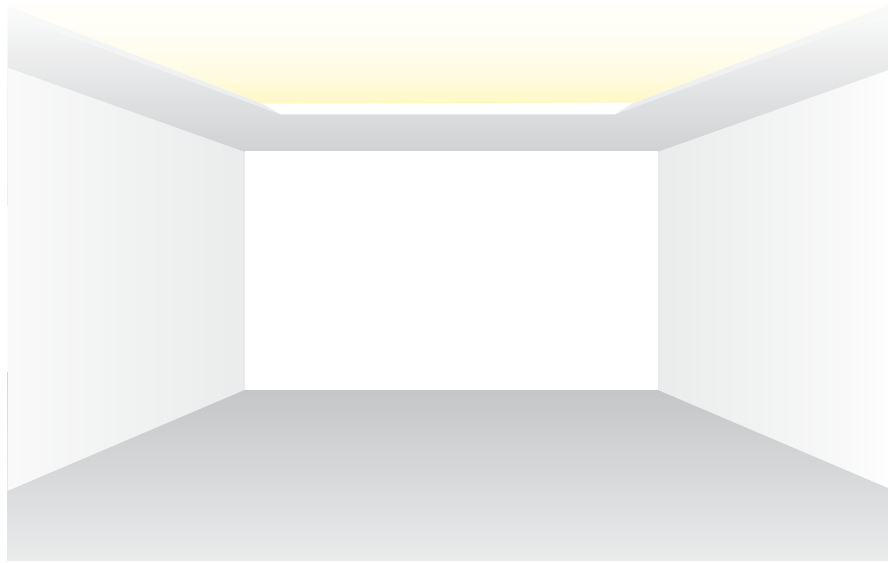
Calculated on the following basis:

Reflectances	Maintenance Factor	LED	Diffuser
Ceiling 70%	1.0	897lm/ft*	Snap in Satin
Walls 50%		3000 Kelvin	
Floor 20%		90 CRI	

Edgeless Cove Plaster Trim	Mini Edgeless Cove Plaster Trim	Box Cove Surface Mount	Mini Box Cove Surface Mount
Product Details	210	Product Details	211
		Product Details	212
			Product Details
			213

Edgeless Cove and Box Cove - Coffered Application

WG EC-RPT, WG MEC-RPT, WG BC-SM, WG MBC-SM



A versatile family of cove luminaires suited to uplighting applications, producing plenty of even ambient light and lifting the ceiling for a fresh feel to the space.

The Edgeless Covens have a leading edge which rakes back to minimize the impression of the luminaire. The Box Covens have a simple, minimal form factor allowing them to deliver light with the minimum visual impact.

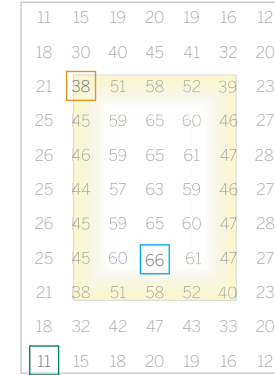
In both cases the aluminum profile forms a perfectly crisp contrasting edge against the lit surface above.

These light maps show expected light levels across a room of the size indicated with a coffered ceiling detail providing indirect ambient light, created with the Mini Edgeless Cove luminaire.

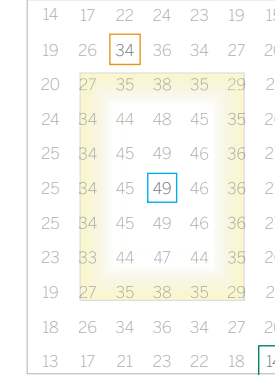
The minimum, average and maximum light levels are called out for reference. Three ceiling heights are given for each scenario.

- Average Light Level
- Minimum Light Level
- Maximum Light Level

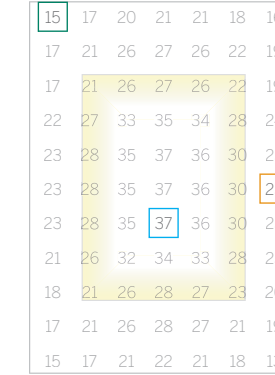
9' ceiling height



12' ceiling height



15' ceiling height

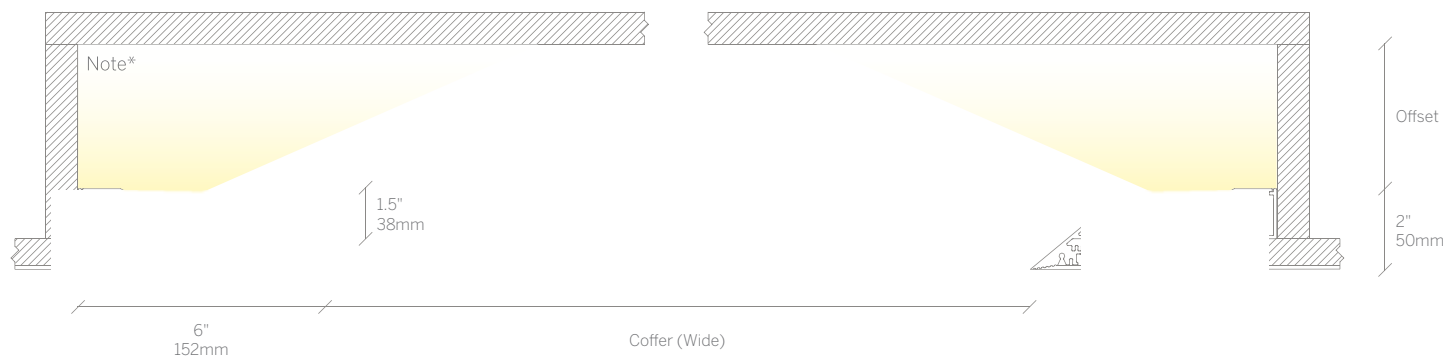


Room scenario 1
General lighting – Large single coffer

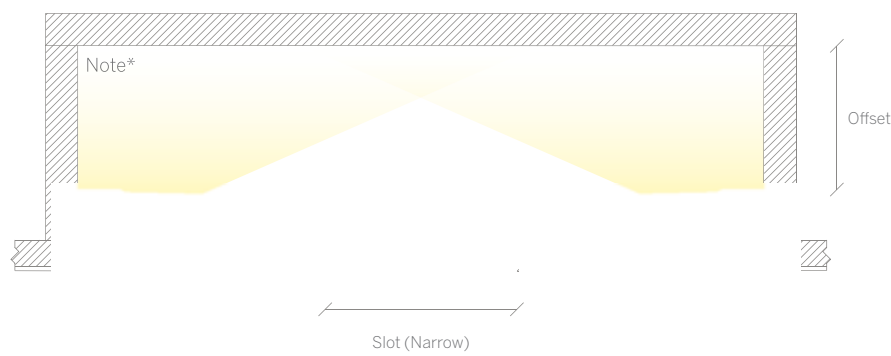
Room size 30' x 18'
Coffer dimensions 20' x 10'
Calculation results taken at task level.

Mounting Options Shown Using Mini Edgeless Cove

Option 1: Wide Coffered

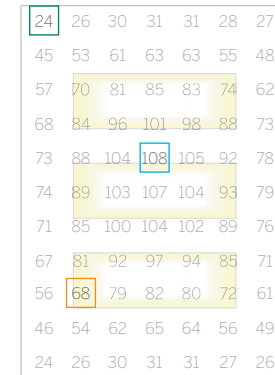


Option 2: Narrow Slot

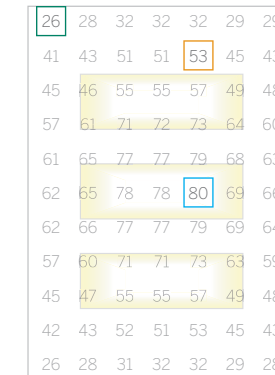


Edgeless Cove Plaster Trim	Product Details	210
Mini Edgeless Cove Plaster Trim	Product Details	211
Box Cove Surface Mount	Product Details	212
Mini Box Cove Surface Mount	Product Details	213

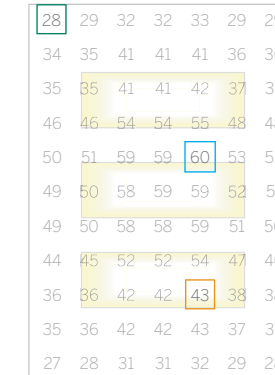
9' ceiling height



12' ceiling height



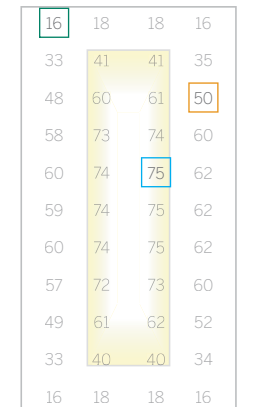
15' ceiling height



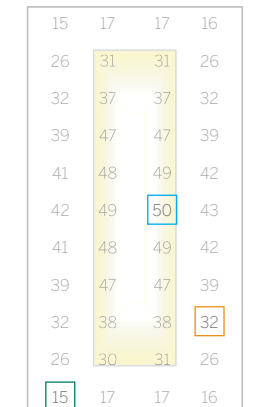
Room scenario 2
General lighting – Triple coffer

Room size 30' x 12'
Coffer dimensions 3x 9' x 5'
Calculation results taken at task level.

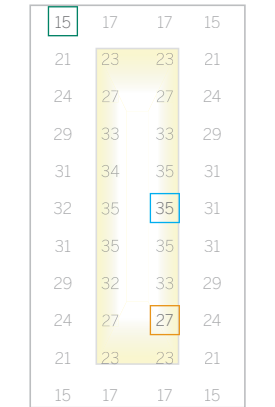
9' ceiling height



12' ceiling height



15' ceiling height



Room scenario 3
Corridor – Single linear coffer

Room size 30' x 8'
Coffer dimensions 20' x 4'
Calculation results taken at task level.

Calculated on the following basis:

Reflectances	Maintenance Factor	LED	Diffuser
Ceiling 70%	1.0	897lm/ft*	Snap in Satin
Walls 50%		3000 Kelvin	
Floor 20%		90 CRI	

Values in Foot Candles

Note*
Paint out all internal surfaces of cove in matt white.

Offset
Typical Offset 12"
Optimum Offset 24"
Minimum Offset 6"

Edgeless Cove and Box Cove - Perimeter Reveal Application

WG EC-RPT, WG MEC-RPT, WG BC-RPT, WG MBC-RPT



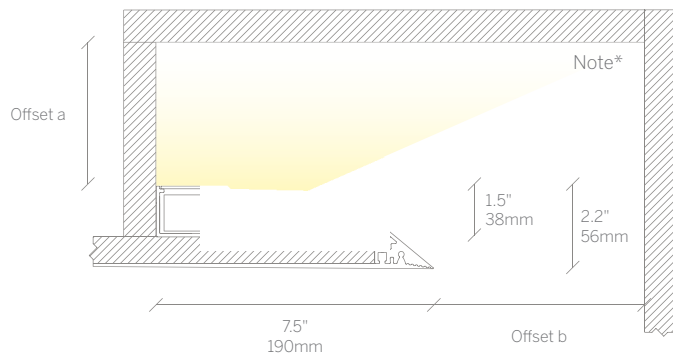
A versatile family of cove luminaires suited to uplighting applications, producing plenty of even ambient light and lifting the ceiling for a fresh feel to the space.

The Edgeless Coves have a leading edge which rakes back to minimize the impression of the luminaire. The Box Cove has a simple, minimal form factor allowing it to deliver light with the minimum visual impact.

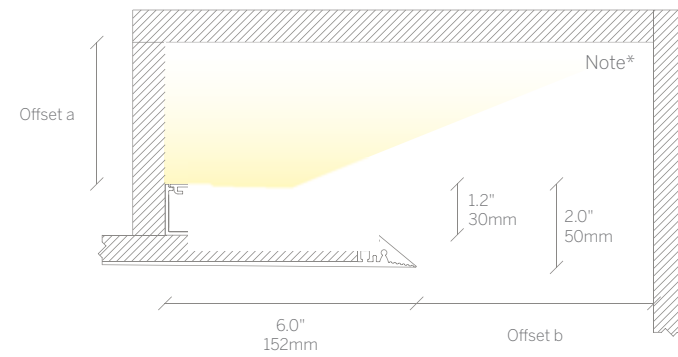
In both cases the aluminum profile forms a perfectly crisp contrasting edge against the lit surface above.

Mounting and Recommended Spacing

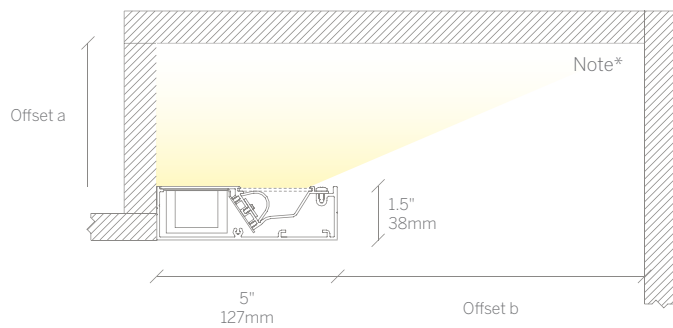
Edgeless Cove



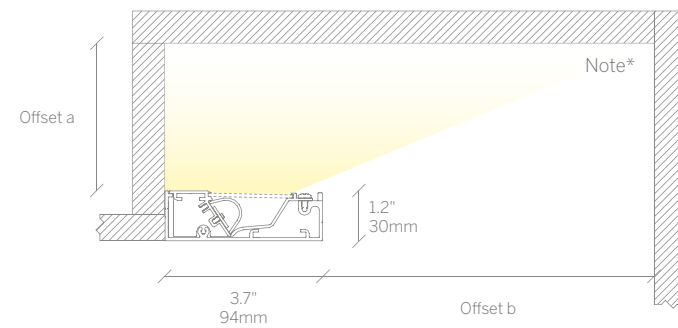
Mini Edgeless Cove



Box Cove



Mini Box Cove



Note*

Paint out all internal surfaces of cove in matt white.

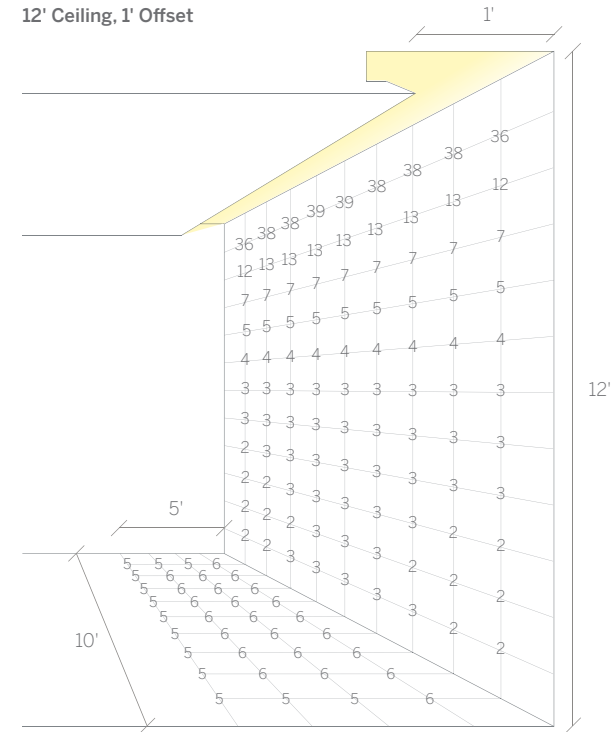
Offset a

Typical Offset 24"
Minimum Offset 6"

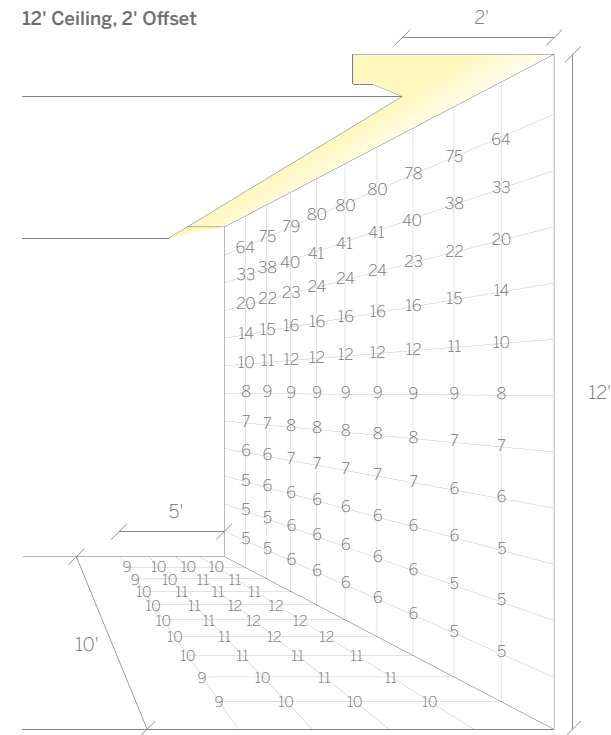
Offset b

Typical Offset 12"-36"
Minimum Offset 6"
Optimum Offset 36"

12' Ceiling, 1' Offset



12' Ceiling, 2' Offset



Values in Foot Candles

Edgeless Cove
Plaster Trim

Product Details

210

Mini Edgeless Cove
Plaster Trim

Product Details

211

Box Cove
Surface Mount

Product Details

212

Mini Box Cove
Surface Mount

Product Details

213

Calculated on the following basis:

Reflectances

Ceiling 70%
Walls 50%
Floor 20%

Maintenance factor

1.0

LED

897lm/ft*
3000 Kelvin
90 CRI

Diffuser

Snap in Satin

12' Ceiling, 3' Optimum Offset

