

# Box Cove

Classic square-fronted continuous linear cove system for clean, minimal effect with optimized distribution for maximum throw of light

- Light source positioned for optimum horizontal spread of illumination.
- Light source is not visible from any viewing angle up to and including direct horizontal view.
- Delivers continuous soft wash of directed light to above surface.
- Satin Diffuser for high efficiency and soft edge beam without striations.
- Removable light source sub assembly for ease of installation and maintenance.
- High efficiency linear LED in a range of outputs, including static white, tunable white, warm dim and RGBW.
- Integral drivers and through wiring.
- Lengths and angles factory cut to exact field dimensions.
- Mitered and welded corners available with continuous illumination.
- Made in the USA.



**Housing** Precision extruded aluminum for true dimensions and tolerances  
Alignment hardware for invisible seam from below  
Housing provided in any exact length  
Unitized gear tray with LED and driver for easy final installation  
Standard and tailored lengths  
Corners: standard and non-standard  
Finishes: RAL 9010 white 15% gloss

**Integration** Fixation to any vertical surface or horizontal surface

**Distribution** Low angle forward throw reflector with max beam at 130 degrees  
Back light reflector delivers soft, even illumination to the cove

**LED** >90 CRI, 3-Step MacAdam, 2700-4000K static white  
1.5W - 15W per foot, 180 nominal lumens per watt average, constant current  
Tuneable white 2200-4000K, 80 nominal lumens per watt average  
Warm Dim to emulate incandescent when dimming; 75 nominal lumens per watt average  
RGBW, 50 nominal lumens per watt  
L70 (TM21 Projected 85C) Static White / Tunable White = 72,000 hours,  
RGBW = 50,000 hours, WD = 36,000 hours

**Lens** SSD - snap-on satin diffuser for high efficiency and soft edge beam without striations.  
SDC - satin clear dust cover for wipe down applications

**Driver** Integral driver  
Compatible with quality constant current (Static White / Tunable White) and constant voltage (WD / RGBW) drivers

**Connectivity** POE  
Wireless

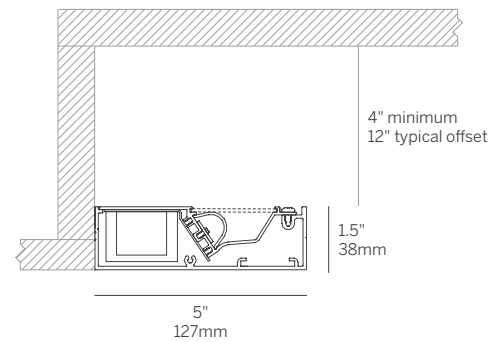
**Weight** 3lbs per foot

**Operating Temp** Suitable for operation in maximum ambient temperature of 35C (95F)

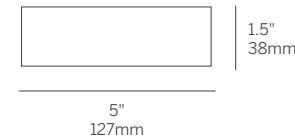
**Warranty** 5-year Limited (see complete company warranty information)

**Certifications** ETL and ETL-C for dry and damp location, CE

**Voltages** 120-277VAC



Surface Wall



End Caps  
BC-LEC/REC

# Box Cove

Model	Fixation	Pattern	Length	Power <sup>3</sup>	CRI/ CCT <sup>4</sup>	Driver <sup>6</sup>	Lens <sup>7</sup>	Finish	Options
WG-BC	SW SWM	S <sup>1</sup> PC <sup>2</sup> PR <sup>2</sup> PPI <sup>2</sup> PPO <sup>2</sup> PZ <sup>2</sup>	A A x B A x B x C A x B x A x B	P0	927	E1	SSD (std) SDC	W (std) F	LEC REC LREC EM
				P1 P2 P3 P4	930 935 940 TW <sup>5</sup>	L1 POE BT DALI TQ			
				L M H	WD RGBW	D010 L3DAE L3D0E EL96 DMX			

## Model

- WG-BC = Box Cove

## Fixation

- SW = Surface Wall Mount
- SWM = Surface Wall Mullion Mount

## Pattern

- S = Straight run<sup>1</sup>
- PC = Standard patterns coffer 2, 3 or 4 sided with 90° inside corners<sup>2</sup>
- PR = Standard patterns raft 2, 3 or 4 sided with 90° outside corners<sup>2</sup>
- PPI = Wall to wall / wall to ceiling, 90° inside corner<sup>2</sup>
- PPO = Wall to wall / wall to ceiling, 90° outside corner<sup>2</sup>
- PZ = Non-standard patterns and/or corners other than 90°; consult factory<sup>2</sup>

## Length

- A, B, C = specify inches to the nearest 0.25" (i.e. 72.25") For patterns specify each length (i.e. 2 sided: A x B = 72.25" x 48"; 3 sided: A x B x C; 4 sided: A x B x A x B)

## Power<sup>3</sup>

- P0 = 1.5 W/ft
- P1 = 3 W/ft
- P2 = 6 W/ft
- P3 = 10 W/ft
- P4 = 15 W/ft
- L = 2.7 W/ft WD low power (24V)
- M = 5.5 W/ft WD medium power (24V) [RGBW 7.6 W/ft]
- H = 8W/ft WD high power (24V)

## CRI / CCT (90+ CRI minimum)<sup>4</sup>

- 927 = 2700K
- 930 = 3000K
- 935 = 3500K
- 940 = 4000K
- TW = Tunable White 2200K - 4000K<sup>5</sup>
- WD = Warm Dim 1800K-3000K
- RGBW = 3000K White

## Driver (integral)<sup>6</sup>

- E1 = eldoLED 0.1% dimming, 0-10V (120-277V)
- L1 = Lutron 1% dimming, EcoSystem (120-277V)
- POE = Power over Ethernet
- BT = Wireless CAS - Casambi (Must specify BT with E1 or DALI)
- DALI = eldoLED DALI DT8 0.1% (120-277V)
- TQ = T-series for Lutron Quantum 0.1 % (120-277V) [TW only]
- D010 = Osram, 10%, 0-10V dimming, 120-277V [WD only]
- L3DAE = Lutron Hi-lume 1% EcoSystem, 120-277V [WD only]
- L3D0E = Lutron Hi-lume Premier 0.1% EcoSystem, 120-277V (remote) [WD only]
- DMX = Osram + eldoLED 24V, DMX dimming [WD + RGBW Only]

## Lens

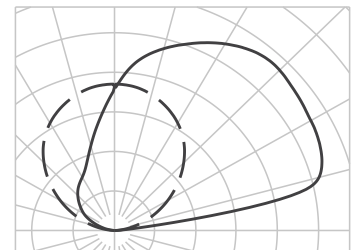
- SSD = Snap On Satin Diffuser (standard)
- SDC = Satin Clear Dust Cover

## Finish<sup>7</sup>

- W = White, 15% gloss, RAL 9010 / Tiger Drylac 009/10120 (standard)
- F = Custom finish, specify RAL

## Options

- LEC = Left end cap
- REC = Right end cap
- LREC = Left & Right end caps
- EM = Emergency LED driver (remote)



Polar Plot

Whitegoods reserves the right to change any information without prior notice.

## Notes

- Standard setup assumes the cove ends at a perpendicular wall and the LED board is setback from the end to minimize light on the perpendicular wall. Contact us for options.
- See pattern specsheet.
- Wattage shown does not include power supplies/drivers.
- Refer to specsheet for delivered lumen data for all product configurations.
- TW offered up to P3 (10W/ft) power level.
- See power supply page for details.
- See Tiger Drylac color chart: inter-lux.com/tiger.