



WARNING:

INSTALL PRODUCT IN ACCORDANCE WITH LOCAL AND NATIONAL ELECTRICAL CODES BY A QUALIFIED ELECTRICIAN.



WARNING:

FAILURE TO COMPLY WITH THE INSTALLATION INSTRUCTIONS MAY RESULT IN DEATH OR SERIOUS INJURY.



WARNING:

READ ALL SAFETY INSTRUCTIONS INCLUDED WITH LUMINAIRE BEFORE INSTALLING LUMINAIRE. SAVE INSTRUCTIONS FOR FUTURE USE.

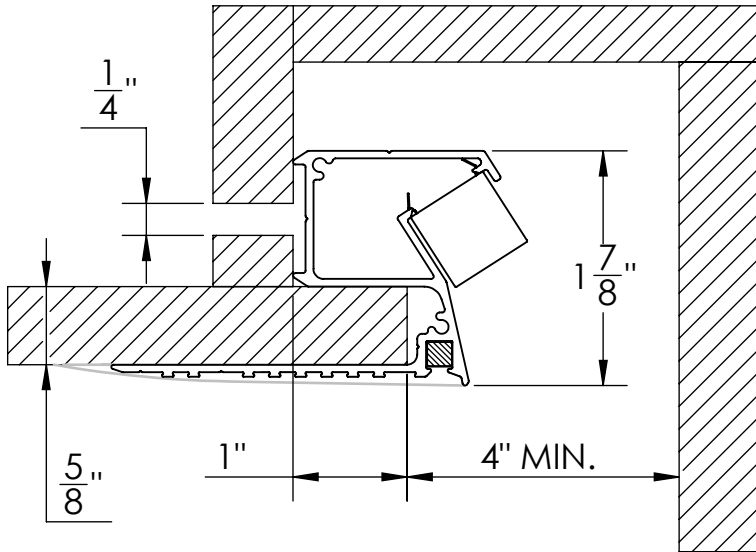
CAUTION:

THIS IS AN ELECTRONIC DEVICE. CARE MUST BE TAKEN DURING STORAGE AND HANDLING. STORE IN A CLEAN, COOL AND DRY LOCATION. ELECTROSTATIC DISCHARGE (ESD) CAN HARM THIS PRODUCT. AVOID STATIC DISCHARGE WHILE HANDLING THIS PRODUCT.

CAUTION:

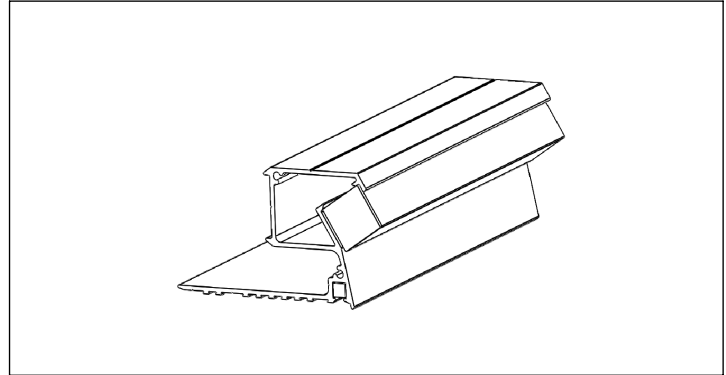
INTER-LUX IS NOT RESPONSIBLE FOR THE STRUCTURAL INTEGRITY OF THE BUILDING TO SUPPORT THE LUMINAIRE. ADDITIONAL BACKING MAY BE REQUIRED.

Mounting Dimensions

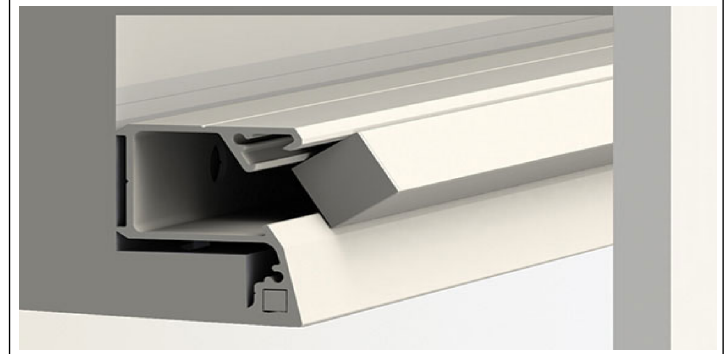


Note: Mini Z-Cove Extrusions are designed to fit around 5/8" drywall.

Isometric View



Rendering

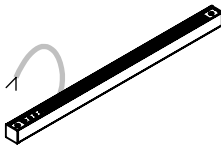
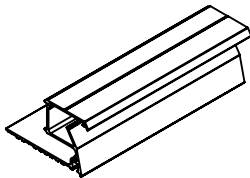
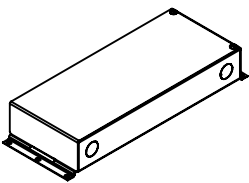


Package Includes:

Remote Driver Box (A)

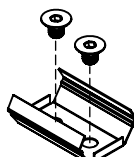
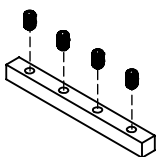
Housing (B)

Luminaire (C)



Joiner Kit (D)

Mounting Clip (E)

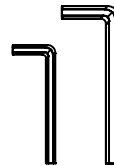
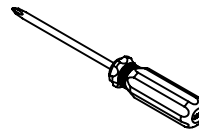


Items needed (supplied by others)

Phillips Head #2
Screwdriver

1.5 and 2 mm
Hex head Allen
Keys

Wire
Connector

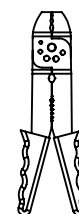


Drill

Wire
Strippers

#8
Drywall
Screw

Plaster
and Trowel



WARNING:
INSTALL PRODUCT IN ACCORDANCE WITH LOCAL AND NATIONAL ELECTRICAL CODES BY A QUALIFIED ELECTRICIAN.

WARNING:
FAILURE TO COMPLY WITH THE INSTALLATION INSTRUCTIONS MAY RESULT IN DEATH OR SERIOUS INJURY.

WARNING:
READ ALL SAFETY INSTRUCTIONS INCLUDED WITH LUMINAIRE BEFORE INSTALLING LUMINAIRE. SAVE INSTRUCTIONS FOR FUTURE USE.

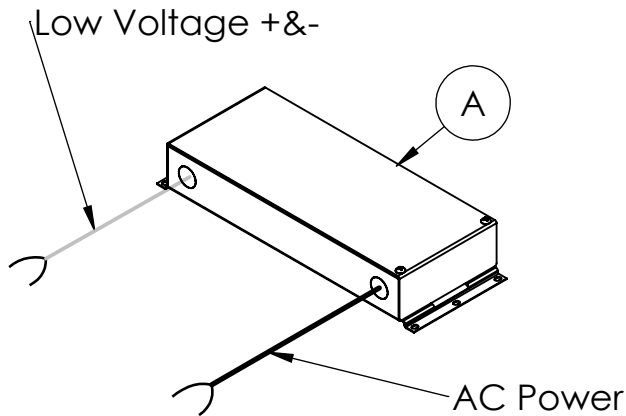
CAUTION:
THIS IS AN ELECTRONIC DEVICE. CARE MUST BE TAKEN DURING STORAGE AND HANDLING. STORE IN A CLEAN, COOL AND DRY LOCATION. ELECTROSTATIC DISCHARGE (ESD) CAN HARM THIS PRODUCT. AVOID STATIC DISCHARGE WHILE HANDLING THIS PRODUCT.

CAUTION:
INTER-LUX IS NOT RESPONSIBLE FOR THE STRUCTURAL INTEGRITY OF THE BUILDING TO SUPPORT THE LUMINAIRE. ADDITIONAL BACKING MAY BE REQUIRED.

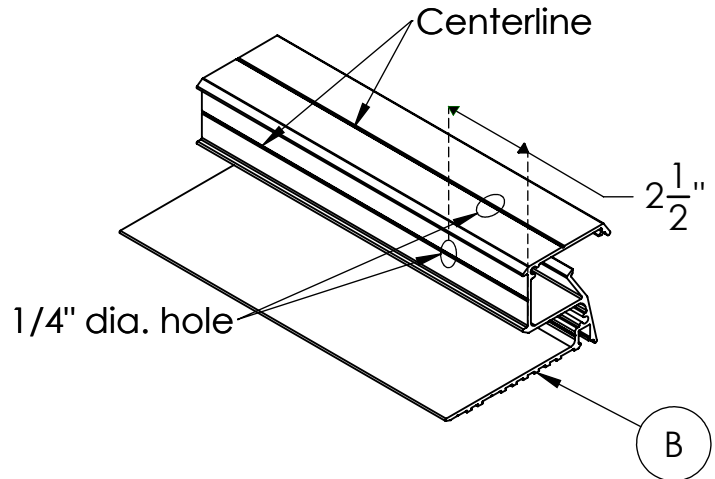
INSTALLATION INSTRUCTIONS

LOCATE AND REVIEW ANY CONSTRUCTION PLANS AND INTER-LUX RECORD DRAWINGS FOR ALL FIXTURE RUNS. IT IS RECOMMENDED TO LOCATE AND LAY OUT ALL COMPONENTS FOR EACH FIXTURE "RUN". A FIXTURE RUN TYPICALLY CONSISTS OF JOINERS, LENGTHS OF HOUSING, AND ENDCAPS. BE SURE TO IDENTIFY ALL CORRECT LENGTHS FOR EACH FIXTURE RUN.

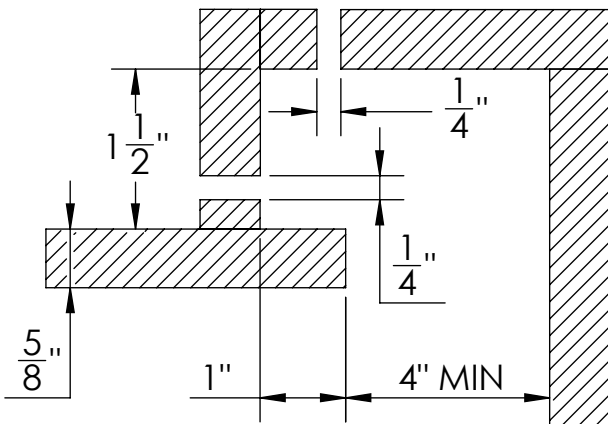
Step 1; Remote Driver: Turn off Power before installing. Install Remote Drivers (A), make connections to AC power and Low Voltage cables. Then run Low Voltage cables to desired position of fixtures.



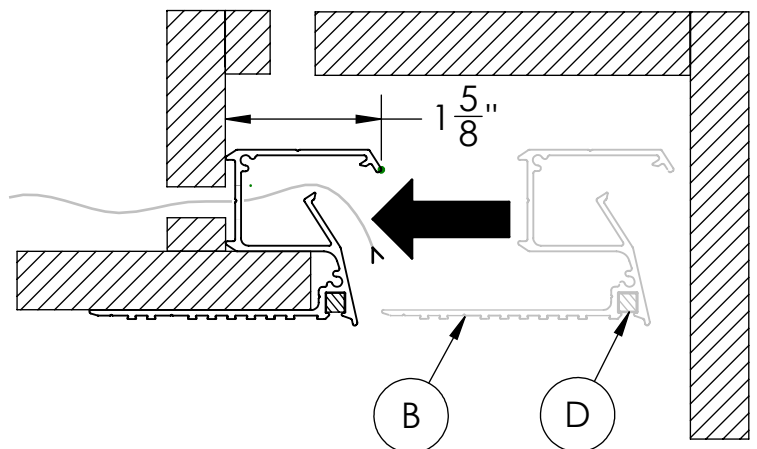
Step 2; Prepare the housing for installation: Drill a 1/4" hole along centerline on either top or back of the housing (B). Ensure hole is at least 2-1/2" away from the end as shown below.



Step 3; Prepare the Ceiling: Construct false ceiling as shown below. Drill a 1/4" hole in the drywall to feed low voltage to the Luminaire (C). Ensure hole on drywall align with hole on housing. This hole can be either behind or above the intended position of luminaire depending on the path of low voltage wires.



Step 4; Insertion of Housing: Pull low voltage cable through the hole. Align the housing (B) with cantilevered ceiling and insert as shown below.



WARNING:
INSTALL PRODUCT IN ACCORDANCE WITH LOCAL AND NATIONAL ELECTRICAL CODES BY A QUALIFIED ELECTRICIAN.

WARNING:
FAILURE TO COMPLY WITH THE INSTALLATION INSTRUCTIONS MAY RESULT IN DEATH OR SERIOUS INJURY.

WARNING:
READ ALL SAFETY INSTRUCTIONS INCLUDED WITH LUMINAIRE BEFORE INSTALLING LUMINAIRE. SAVE INSTRUCTIONS FOR FUTURE USE.

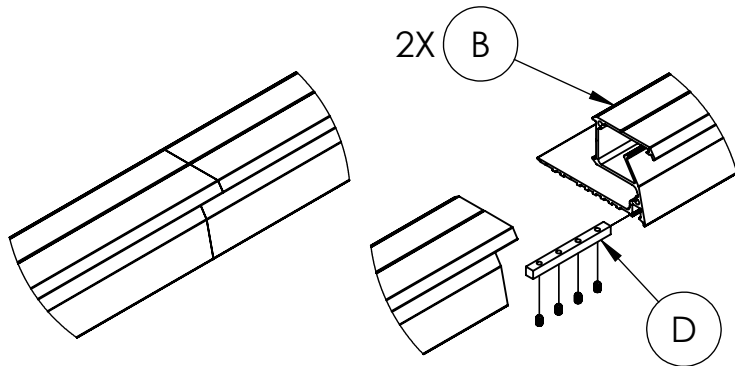
CAUTION:
THIS IS AN ELECTRONIC DEVICE. CARE MUST BE TAKEN DURING STORAGE AND HANDLING. STORE IN A CLEAN, COOL AND DRY LOCATION. ELECTROSTATIC DISCHARGE (ESD) CAN HARM THIS PRODUCT. AVOID STATIC DISCHARGE WHILE HANDLING THIS PRODUCT.

CAUTION:
INTER-LUX IS NOT RESPONSIBLE FOR THE STRUCTURAL INTEGRITY OF THE BUILDING TO SUPPORT THE LUMINAIRE. ADDITIONAL BACKING MAY BE REQUIRED.

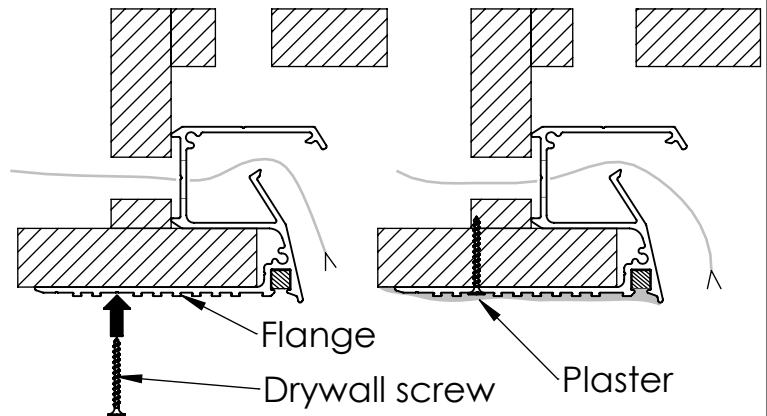
INSTALLATION INSTRUCTIONS

LOCATE AND REVIEW ANY CONSTRUCTION PLANS AND INTER-LUX RECORD DRAWINGS FOR ALL FIXTURE RUNS. IT IS RECOMMENDED TO LOCATE AND LAY OUT ALL COMPONENTS FOR EACH FIXTURE "RUN". A FIXTURE RUN TYPICALLY CONSISTS OF JOINERS, LENGTHS OF HOUSING, AND ENDCAPS. BE SURE TO IDENTIFY ALL CORRECT LENGTHS FOR EACH FIXTURE RUN.

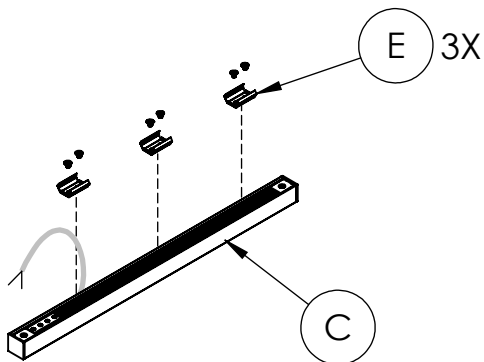
Step 5; Installation of Joiners: If your order consists of stand alone fixtures, skip this step. Otherwise, connect Housings (B) to each other using supplied Joiner Kits (D). Slide joiner into square holes and push Housings (B) together. Then center joiner on the joint and drive screws into joiner as shown below.



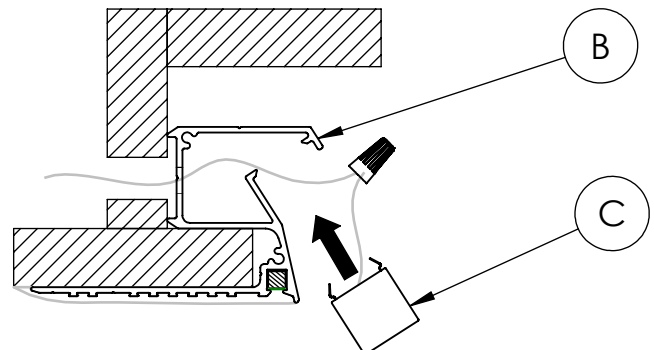
Step 6; Fastening and Plastering: Fasten Housing flange to false ceiling using #8 drywall screws as shown below. Position and fasten the screws on the notch every 16 inches, as shown below. Skim plaster over the flange of housing using a trowel in order to create a smooth finish.



Step 7; Assembly of Luminaire: Fasten three evenly spaced Clips (E) on the Luminaire (C) by using provided screws as shown below. Make sure two screws are used per Clip (E).



Step 8; Installation of Luminaire: Connect the wires of Luminaire to Low voltage cable of Driver (A) by using wire connector. Then, gently insert the Luminaire into Housing (B) until it snaps properly into housing. Finally, power the fixture to ensure proper operation.



WARNING:
INSTALL PRODUCT IN ACCORDANCE WITH LOCAL AND NATIONAL ELECTRICAL CODES BY A QUALIFIED ELECTRICIAN.

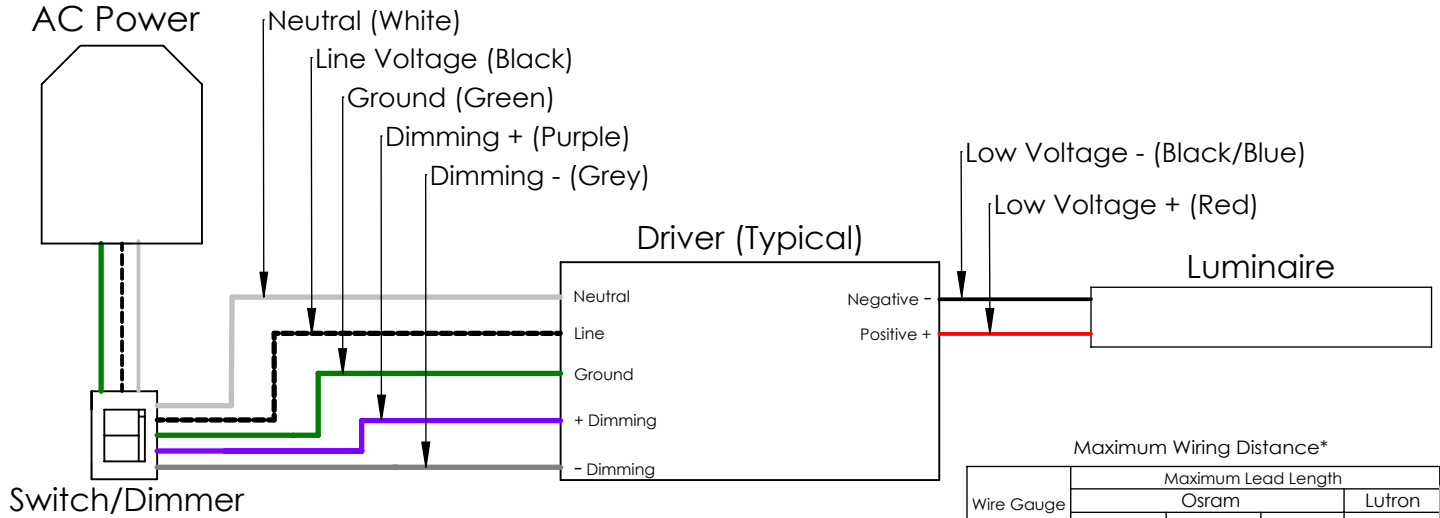
WARNING:
FAILURE TO COMPLY WITH THE INSTALLATION INSTRUCTIONS MAY RESULT IN DEATH OR SERIOUS INJURY.

WARNING:
READ ALL SAFETY INSTRUCTIONS INCLUDED WITH LUMINAIRE BEFORE INSTALLING LUMINAIRE. SAVE INSTRUCTIONS FOR FUTURE USE.

CAUTION:
THIS IS AN ELECTRONIC DEVICE. CARE MUST BE TAKEN DURING STORAGE AND HANDLING. STORE IN A CLEAN, COOL AND DRY LOCATION. ELECTROSTATIC DISCHARGE (ESD) CAN HARM THIS PRODUCT. AVOID STATIC DISCHARGE WHILE HANDLING THIS PRODUCT.

CAUTION:
INTER-LUX IS NOT RESPONSIBLE FOR THE STRUCTURAL INTEGRITY OF THE BUILDING TO SUPPORT THE LUMINAIRE. ADDITIONAL BACKING MAY BE REQUIRED.

Wiring Key



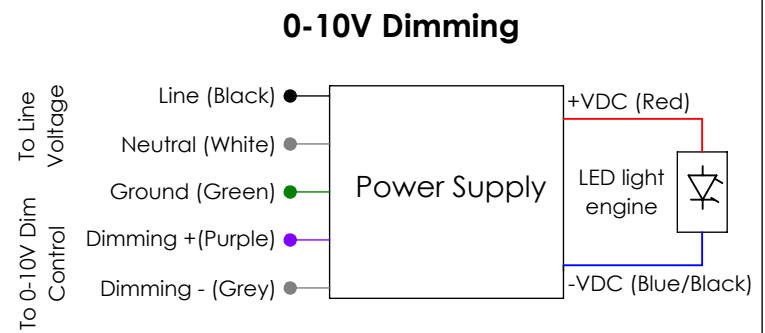
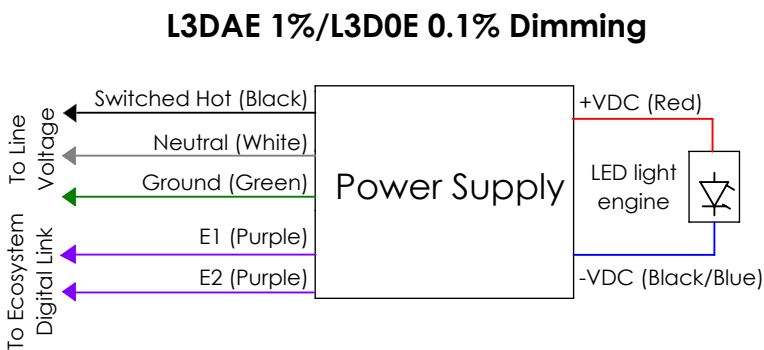
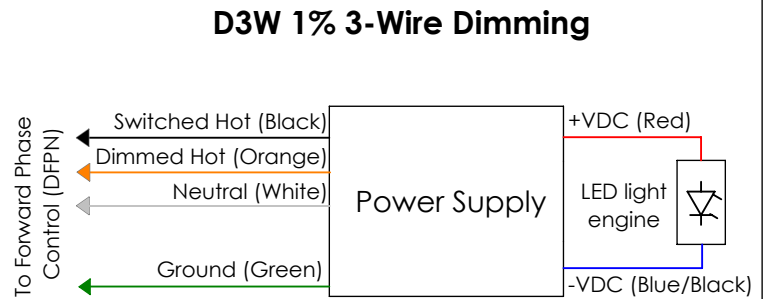
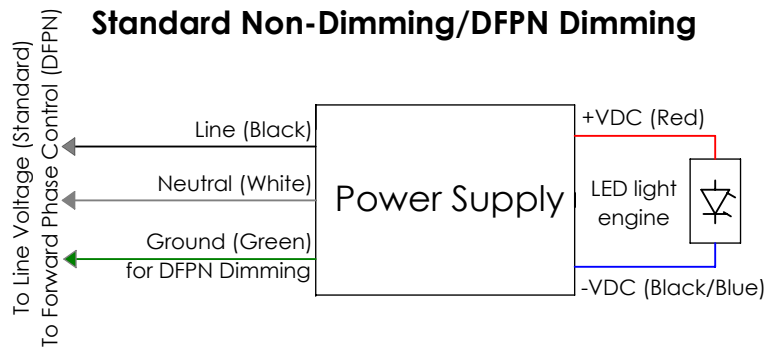
Red	Blue/Black	Green	Black	White	Purple	Grey
Positive	Negative	Ground	Line	Neutral	Dimming +	Dimming -

Maximum Wiring Distance*

Wire Gauge	Maximum Lead Length			
	Osram		Lutron	
#18AWG	≤ 48W	≤ 72W	≤ 96W	≤ 40W
#16AWG	37'	25'	18'	15'
#14AWG	59'	39'	29'	25'
#12AWG	95'	63'	47'	40'
#10AWG	151'	101'	75'	60'

*Actual Voltage drop to be calculated by installer

Driver Wiring Diagrams



NOTE: ALL SHOWN DRIVERS ARE INTER-LUX PROVIDED. FOR NON INTER-LUX PROVIDED DRIVERS PLEASE REFER TO DRIVER MANUFACTURERS. THE USE OF NON INTER-LUX PROVIDED DRIVERS VOIDS PRODUCT WARRANTY.