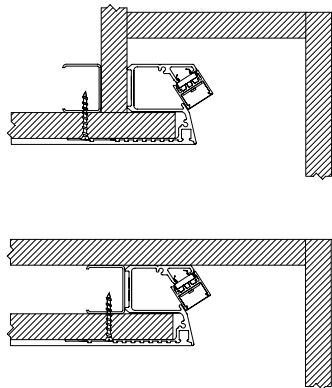
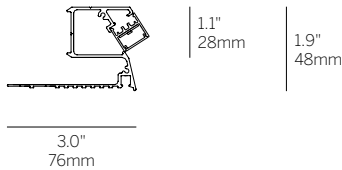


20 Linear Mini Z Cove

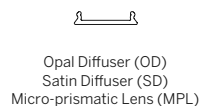


| Ordering Information | | | | | | | | | |
|----------------------|----------|---|--|--------------------|--|---|-----------------------|---------------------|-----------|
| Model | Fixation | Pattern | Length | Power ² | CRI/ CCT ⁴ | Driver ⁵ | Lens | Finish ⁶ | Options |
| WG-20MZC | RPT | | | | | | | | |
| WG-20MZC | RPT | S ¹ PC ² PR ² PZ ² | A A x B A x B x C A x B x A x B | L M H | 927 930 935 940 WD RGBW | X S D010 L3DAE L3DOE DFPN EL96 DMX | OD (std) SD MPL | W (std) F | CDC EM |



Gypsum Ceiling Mounting Options
2.5" minimum offset, 6" typical offset

Lenses/Accessories



Luminaire

- Miniature continuous perimeter light with knife-edge detail for continuous mounting to any desired length (1/4" increments).
- Suitable for 1/2" or 5/8" drywall ceilings.
- Multiple lens options for diffuse, high efficiency and low brightness.
- Remote driver options (required). Field replaceable LED boards.
- Lengths and angles factory cut to exact field dimensions.
- 4¹ class 2 plenum rated feed cable standard.
- 90+ CRI, 3 steps MacAdam.
- L70 (TM21 Projected 85C) Static White 60,000 hours, RGBW 50,000 hours, WD 36,000 hours.
- ETL and ETL-C for dry and damp location.

Fixation

- RPT = Recessed Plaster Trim

Pattern

- S = Straight run¹
- PC = Standard patterns coffer 2, 3 or 4 sided with 90° corners²
- PR = Standard patterns raft 2, 3 or 4 sided with 90° corners²
- PZ = Non-standard patterns and/or corners other than 90°, consult factory²

Length

- A, B, C = specify inches to the nearest 0.25" (i.e. 72.25") For patterns specify each length (i.e. 2 sided: A x B = 72.25" x 48"; 3 sided: A x B x C; 4 sided: A x B x A x B)

Power³

- L = 3W/ft low power (WD 2.7 W/ft) (24V)
- M = 6W/ft mid power (WD 5.5 W/ft) (24V) (RGBW = 7.6 W/ft)
- H = 10W/ft high power (WD 8 W/ft) (24V)

CRI/CCT (90+ CRI)⁴

- 927 = 2700K
- 930 = 3000K
- 935 = 3500K
- 940 = 4000K
- WD = Warm Dimming 1800 - 3000K
- RGBW = 3000K White (M power only)

Driver (remote)⁵

- X = No driver, ordered separately
- S = Standard driver 120-277V
- D010 = Osram, 10%, 0-10V dimming, 120-277V
- L3DAE = Lutron Hi-lume 1% EcoSystem, 120-277V
- L3DOE = Lutron Hi-lume Premier 0.1% EcoSystem, 120-277V
- DFPN = Lutron Forward Phase 1%, 120VAC
- EL96 = Osram / EldoLED, 24V, 0.1% 0-10V Dimming
- DMX = Osram / EldoLED, 24V, 0.1% DMX Dimming

Lens

- OD = Satin opal diffuser (standard)
- SD = Satin clear diffuser
- MPL = Micro-prismatic Lens

Finish⁶

- W = White, 15% gloss, Tiger Drylac 49/11350 (standard)
- F = Custom finish, specify RAL

Options

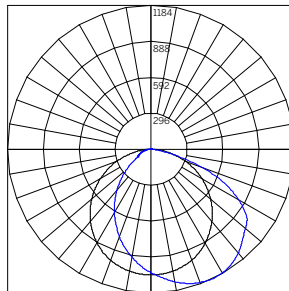
- CDC = Clear dust cover
- EM = Emergency (remote)

- 1 Standard setup assumes the cove ends at a perpendicular wall and the LED board is setback from the end to minimize light on the perpendicular wall. Contact us for options.
- 2 See pattern spec sheet.
- 3 Wattage shown is for LED boards only, system wattage varies depending on driver selected.
- 4 See photometric data sheet for delivered lumens.
- 5 Remote power supply required. See power supply page for details.
- 6 See Tiger Drylac color chart: inter-lux.com/tiger



20 Linear Mini Z Cove

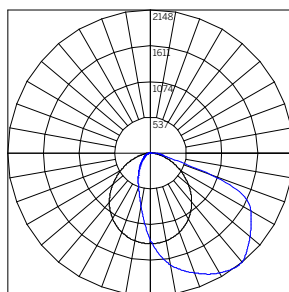
| WG-20MZC-...-OD-W | | | | | |
|---------------------------|-------------------|------------|----------------------|-------------|-----------------|
| Delivered Lumens Per Foot | | | | | |
| | | Power | | | |
| | | L [3 W/ft] | M [6 W/ft] | H [10 W/ft] | RGBW [7.6 W/ft] |
| CCT | 927 | 174 | 348 | 609 | - |
| | 930 | 190 | 379 | 662 | - |
| | 935 | 225 | 450 | 787 | - |
| | 940 | 267 | 534 | 935 | - |
| | WD ² | 133 | 277 | 400 | - |
| | RGBW ³ | - | - | - | 226 |
| UGR ⁴ | | 27.2 | 29.7 | 31.5 | - |
| Fixture Efficiency = 57% | | | Lumens Per Watt = 64 | | |



BEAM ANGLE (0-180) = 81.8
BEAM ANGLE (90-270) = 116.3

| ILLUMINANCE - 48" OD H 3500K | | |
|--|----------------------------|-----------------|
| WG-20MZC-...-S-48-H-935-...-OD-W... ¹ | | |
| Mounting Height [ft] | Illuminance [fc at max cd] | Beam Width [ft] |
| 2 | 296 | 3.5 |
| 4 | 74 | 6.9 |
| 6 | 33 | 10.4 |
| 8 | 19 | 13.9 |
| 10 | 12 | 17.3 |
| 12 | 8 | 20.8 |
| 14 | 6 | 24.3 |
| 16 | 5 | 27.7 |
| 18 | 4 | 31.2 |
| 20 | 3 | 34.7 |

| WG-20MZC-...-SD-W | | | | | |
|---------------------------|-------------------|------------|----------------------|-------------|-----------------|
| Delivered Lumens Per Foot | | | | | |
| | | Power | | | |
| | | L [3 W/ft] | M [6 W/ft] | H [10 W/ft] | RGBW [7.6 W/ft] |
| CCT | 927 | 248 | 495 | 867 | - |
| | 930 | 270 | 539 | 942 | - |
| | 935 | 320 | 640 | 1120 | - |
| | 940 | 380 | 760 | 1331 | - |
| | WD ² | 190 | 394 | 570 | - |
| | RGBW ³ | - | - | - | 322 |
| UGR ⁴ | | 29 | 31.6 | 33.4 | - |
| Fixture Efficiency = 82% | | | Lumens Per Watt = 89 | | |



BEAM ANGLE (0-180) = 62.4
BEAM ANGLE (90-270) = 106.6

| ILLUMINANCE - 48" SD H 3500K | | |
|--|----------------------------|-----------------|
| WG-20MZC-...-S-48-H-935-...-SD-W... ¹ | | |
| Mounting Height [ft] | Illuminance [fc at max cd] | Beam Width [ft] |
| 2 | 537 | 2.4 |
| 4 | 134 | 4.8 |
| 6 | 60 | 7.3 |
| 8 | 34 | 9.7 |
| 10 | 21 | 12.1 |
| 12 | 15 | 14.5 |
| 14 | 11 | 16.9 |
| 16 | 8 | 19.4 |
| 18 | 7 | 21.8 |
| 20 | 5 | 24.2 |

| Power Multiplier | | | | |
|------------------|------------|------------|-------------|-----------------|
| | L [3 W/ft] | M [6 W/ft] | H [10 W/ft] | RGBW [7.6 W/ft] |
| 9XX/RGBW | 0.29 | 0.57 | 1.00 | 0.29 |
| WD | 0.17 | 0.35 | 0.51 | - |
| CCT Multiplier | | | | |
| | 927 | 930 | 935 | 940 |
| | 0.77 | 0.84 | 1.00 | 1.19 |

- 1 Polar Plot and Cone of Light are applicable to part number noted; use Multiplication Factor table to approximate other models or refer to online photometry.
- 2 WD lumen data at maximum output (3000K).
- 3 RGBW lumen data at maximum output with 3000K White LED.
- 4 UGR value noted is the maximum UGR (crosswise) with 935 LEDs / 48" length.