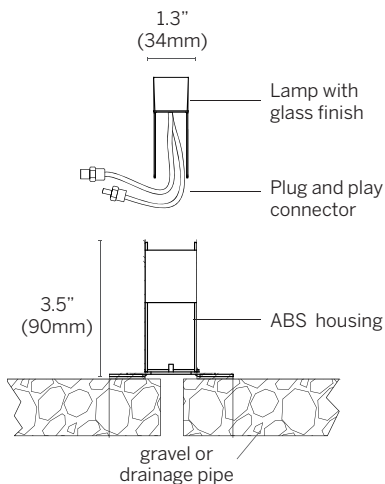




Ordering Information¹ (Minimum order quantity 9pcs)

| Model | Length | Power | Color | Optics | Voltage | Housing | Options |
|-------|--------|-------|----------------|--------|---------|---------|---------|
| F SNP | 5 | H | | LL | 24 | | |
| F SNP | 5 | H | 30 35 40 | LL | 24 | SNC | |

¹Specify remote power supply separately below. **Max run from single feed 23 elements**



Luminaire

- Sustainable design
- Radius, minimum 12.4" (314mm)
- Diffused line of light
- IP67, UL STD 1598, wet location, walkover rated 1000 lb
- White borosilicate glass 1.2" (30mm) thick
- Aluminum construction, with diffused tempered glass
- ABS Installation housing, direct concrete pour
- Snap in installation with no exposed hardware
- 3.3' (1m) feed cable standard

Size

- 5 = 5" (124mm) x 3.5" H (90mm)

Power

- H = 2.5W, 3000K, 50 lm

Color Temperature

- 30 = 3000K
- 35 = 3500K
- 40 = 4000K
- 2 Step MacAdam
- CRI: > 85

Optics

- LL = Even illumination

Voltage

- 24 = 24VDC fixture voltage

Housing

- SNC = concrete

Cables (order separately)

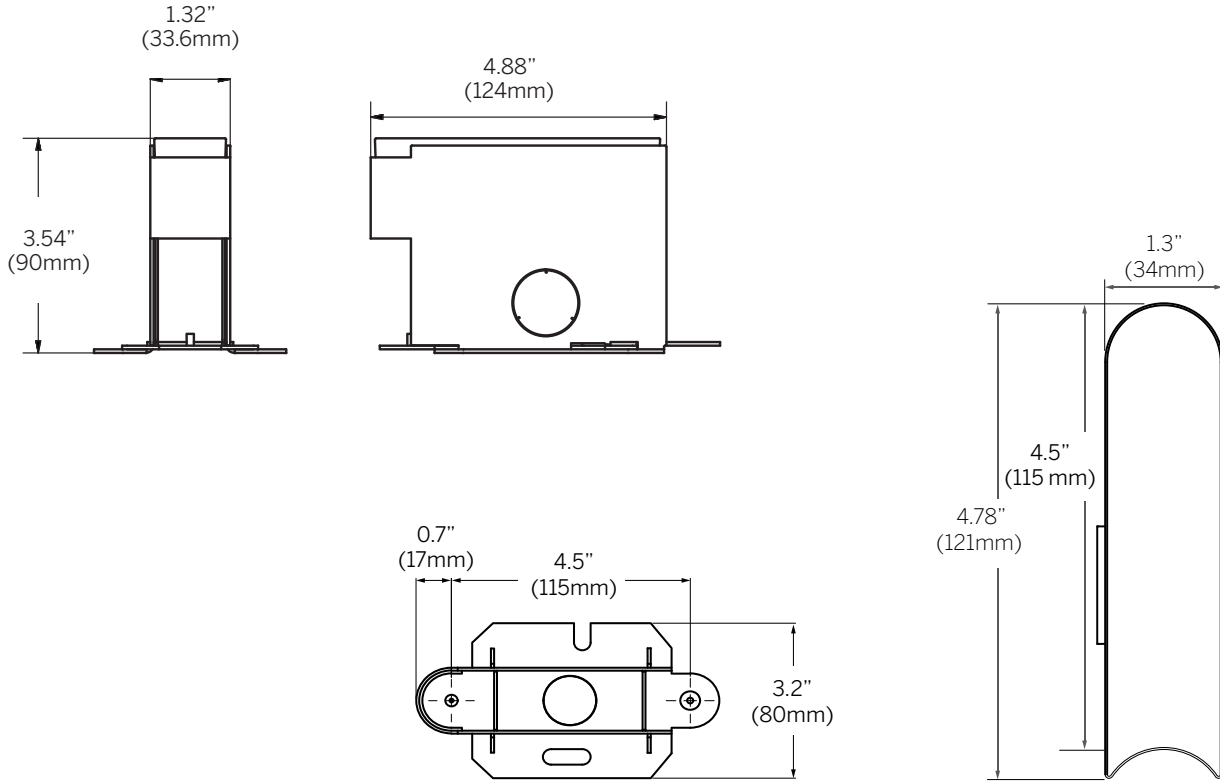
- FC1 = 10' (3m) feed cable
- FC2 = 20' (6m) feed cable
- FC3 = 30' (9m) feed cable

Power Supply² (Remote)

- D-520-24006: Osram 10% 0-10V dimming, 96W, 24VDC, 120-277VAC

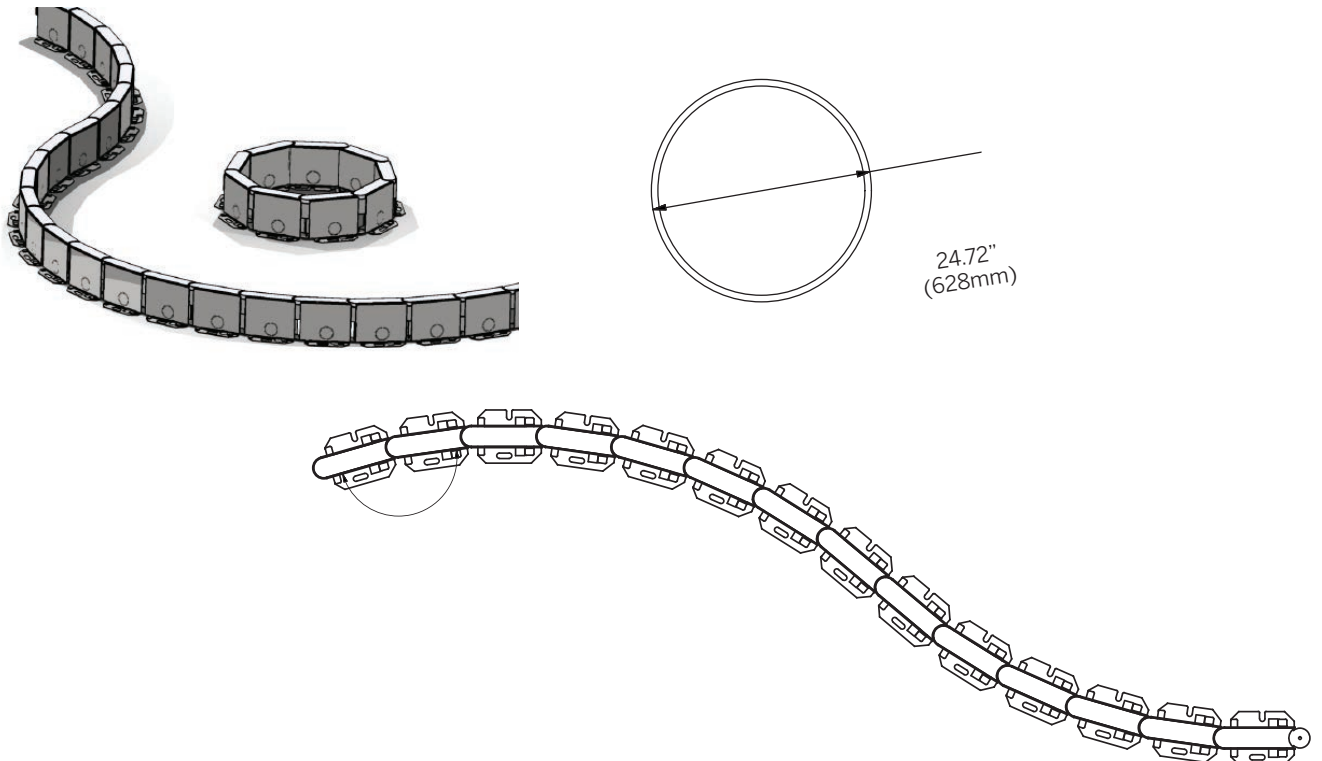
²See power supply pages for details. No enclosure, unless stated. lm80 values shown.

Dimensions



Top view

Fixture



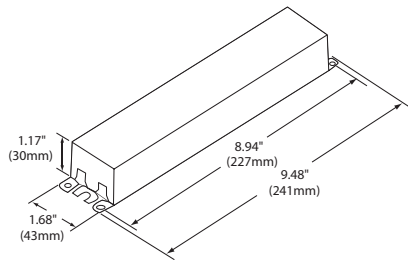
Single Color Drivers

| Qty. | Part Number | Description | Case | Nominal Input Voltage (V) | Nominal Input Current (A) | Power Factor | Output Power Range (W) | Dimming Mode | Dimming Control | Dimming Range | Location Rating |
|------|-------------|-----------------|------|---------------------------|---------------------------|--------------|------------------------|--------------|-----------------|---------------|-----------------|
| | D-520-24006 | Osram 0-10V dim | 1 | 120 277 | 0.97 0.39 | 0.9 | 1-96 | PWM | 0-10V | 10 -100% | Damp |

The installer and/or end user must take precautions to prevent and/or test the effects of EMI (electromagnetic interference). Maximum recommended load is 80% of driver rating.

Case dimensions

Case 1 (no enclosure)



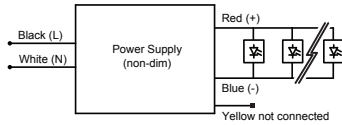
Maximum wiring distance*

| Wire gauge | Load per driver | |
|------------|-----------------|------|
| | Osram | |
| | ≤48W | ≤72W |
| #18AWG | 37' | 25' |
| #16AWG | 59' | 39' |
| #14AWG | 95' | 63' |
| #12AWG | 151' | 101' |
| #10AWG | 241' | 160' |

*Voltage drop guide for 24VDC. Actual Voltage drop to be calculated by installer

Wiring diagrams

96W Non-Dim



96W Dim

