

# Assembly instruction

Date: 7.14.2015

## SOFT DELTA SOFT DELTA LIGHT + ACOUSTIC

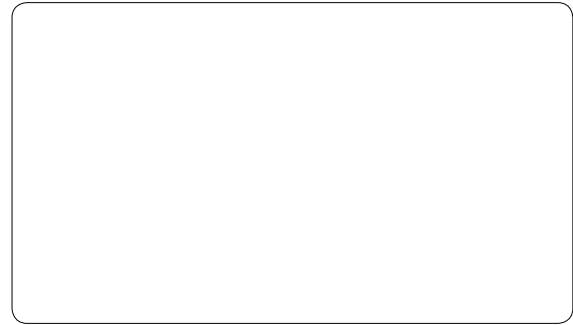
### GENERAL REMARKS ON SAFETY:

Read all of these instructions before installing fixtures.

- Keep all of the instructions for future reference.
- Turn off power before installing fixture.
- Installation is to be performed by a qualified electrician only.
- All installations are to conform to the standards of National Electrical Code as well as all local jurisdictional codes and regulations.
- Any modification of the luminaire will void any and all written or implied warranties.
- Do not open the luminaire - this will void the IP rating
- The manufacturer accepts no responsibility for damage to persons or property arising through improper use or installation.

THIS PRODUCT MUST BE INSTALLED IN ACCORDANCE WITH THE APPLICABLE INSTALLATION CODE BY A PERSON FAMILIAR WITH THE CONSTRUCTION AND OPERATION OF THE PRODUCT AND THE HAZARDS INVOLVED

### Technical data:



### Housing

Aluminum profile, integrated (I) or L-shaped acrylic cover (L)

Size: L x W X H	Fixture Weight kg/lbs	technical-unit Weight kg/lbs
1340 x 1309 x 80/107 52.7 x 51.5 x 3.1/4.2	14 / 30.9	5 / 11
1735 x 1717 x 80/107 68.3 x 67.5 x 3.1/4.2	17 / 37.5	5 / 11

### BOM

#### quantity

#### Package 1, housing 1

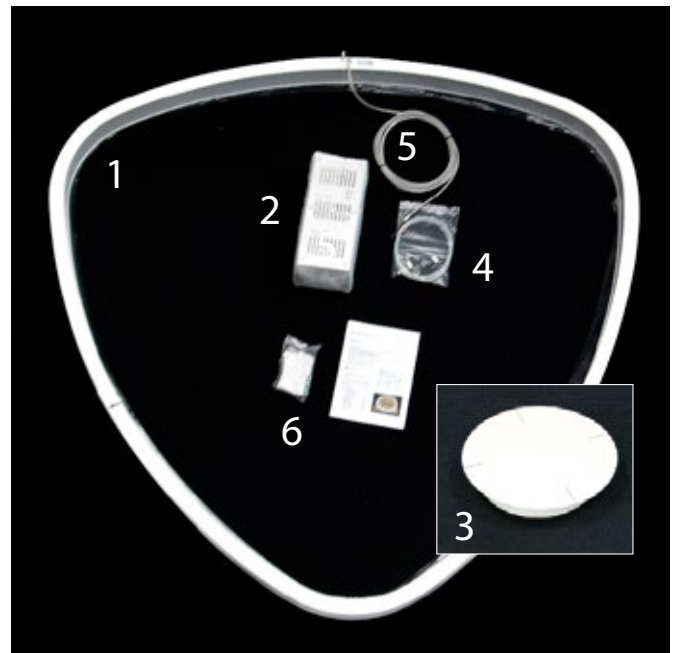
Aluminium-ring frame	1 unit
with acrylic glass ring	1 unit

#### Package 2, power supply unit 2 or canopy 3

<input type="checkbox"/> 3 Steel cables 4	
<input type="checkbox"/> 1 x Power supply unit 2	1 unit
<input type="checkbox"/> 3 Steel cables 2	
<input type="checkbox"/> 1 x Canopy 3	1 unit
Power supply cable 5	1 unit
Gloves, white 6	1 pair
Screwdriver 6	1 unit
Assembly instruction 6	1 unit

#### Optional:

<input type="checkbox"/> RGB, X-Fade 6-channel	1 unit
<input type="checkbox"/> RGB, Multidimmer Infrared	1 unit
<input type="checkbox"/> White, Dimmer 1-10 V	1 unit
<input type="checkbox"/> Dimmer DALI	1 unit



## SOFT DELTA / SOFT DELTA LIGHT + ACOUSTIC

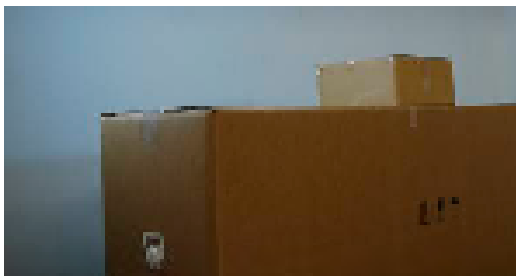
### Warranty

Use the enclosed assembly instructions for the installation of the lighting fixture. Non-compliance of the assembly instruction will automatically void the warranty.

The supplied light fixture has been tested and is fully operational



SOFT DELTA Light + Acoustic



### Delivery contains 2 packages

Unpack the light fixture and check the bill of material.

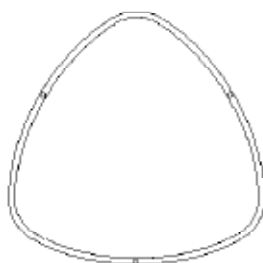
Use enclosed cloth gloves to prevent soiling of polished frame, screws and acrylic.

### 1. Mark anchor positions on the wall

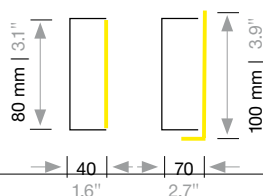
Mark anchor position of your canopy on the ceiling according to drilling template, drill the anchor points with  $\varnothing$  6mm (1/4") anchors. Alternatively, mount to canopy octagonal j-box.

### 2. Installation of canopy

Attach canopy to j-box or ceiling. Pull the power supply cable through the 1 1/4" hole and make connections.



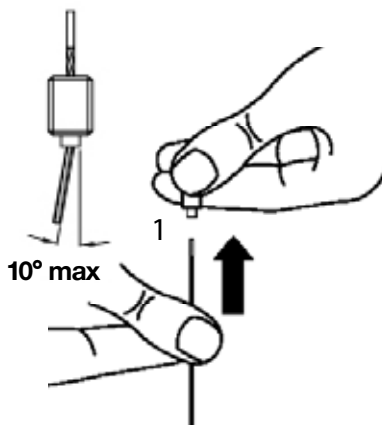
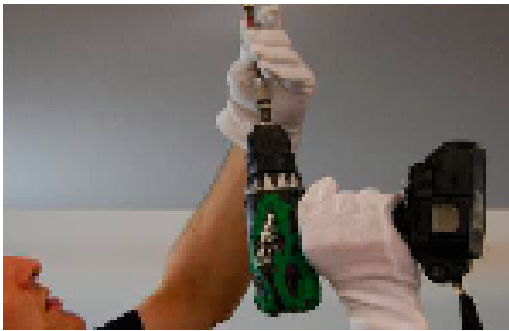
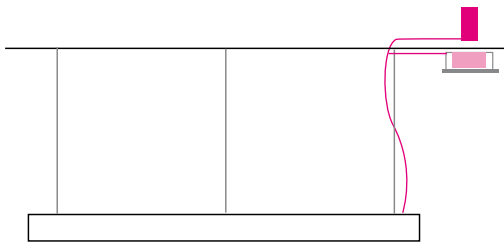
I-Version L-Version



## SOFT DELTA / SOFT DELTA LIGHT + ACOUSTIC



### 1. Installation suspension with remote power supply unit in suspended ceiling or separate canopy



#### 1.1 Attachment of steel cable suspension

Mark anchor position of your light fixture on the ceiling according to drilling template (next page).

Predrill the anchor points with  $\varnothing$  6mm / 0.25", mount the anchor and attach the steel cable bracket. Make sure to check that the load capacity of the ceiling is sufficient.

The steel cable bracket supports static loads. Requirement for safe use is an anchor with a minimum load rating of 99 lbs.

**Insert the upper ends of the steel cable to the premounted steel cable brackets on the ceiling. Through soft pressure on the spring-loaded nozzle of the steel cable bracket it is smoothly adjustable upward or downward to the desired position. As soon as there is load on the steel cable bracket, it will secure itself and it won't slide in any directions.**

To adjust it again: lift the light fixture to relieve load of the steel cable brackets, give a soft push with your finger to the nozzle 1, now it is adjustable to any position.

Please make sure that the steel cable is inserted at least so far that it is visible at the lower end of the premounted bracket. If required cut extra cable.

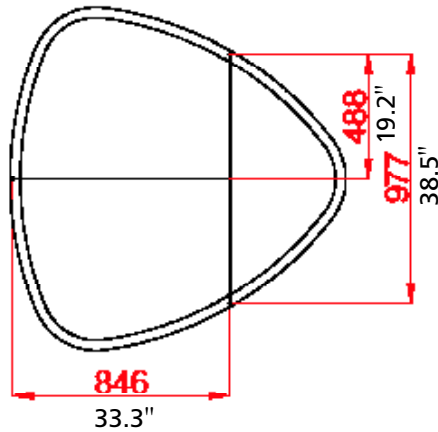
#### Note:

The steel cable brackets are just for indoor use. The nozzle of the steel cable bracket must show noticeable spring loaded pressure. To ensure the full load capacity the cables shouldn't be greasy or rusty.

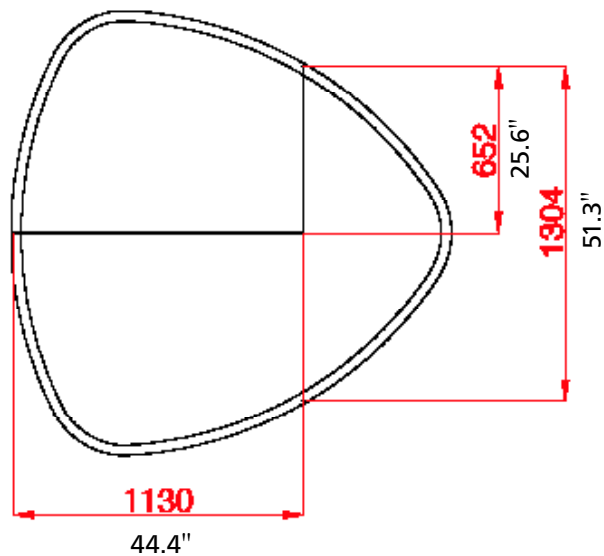
The steel cable brackets are just for use of supplied steel cables at static load.

The exit angle of the steel cable at the nozzle should on no account be more than 10°.

## SOFT DELTA SOFT DELTA LIGHT + ACOUSTIC



SOFT DELTA  
1340 x 1309 mm / 52,7 x 51.5"  
3 Suspension Points

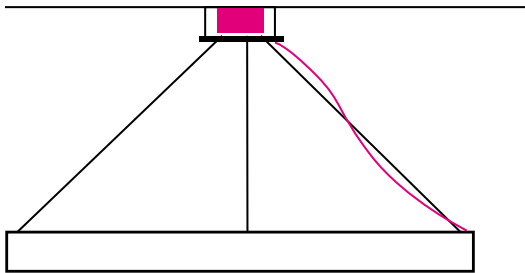


SOFT DELTA  
1735 x 1717 mm / 68.3 / 67.5"  
3 Suspension Points

## SOFT DELTA / SOFT DELTA LIGHT + ACOUSTIC



### 2. Pendant light with canopy and separate power supply



#### 2.1 Installation of canopy

Mark 4 anchor positions of your canopy on the ceiling according to drilling template, drill the anchor points with  $\text{\O} 0.25''$ , mount anchors. Fix frame of canopy to anchor. Pull the power supply cable through the bore  $\text{\O} 1.2''$  and connect with push terminal.

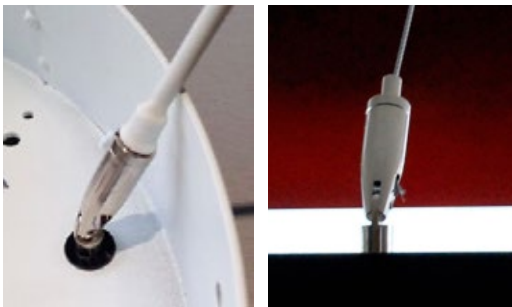
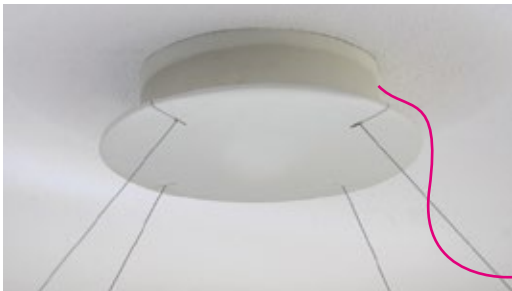
#### 2.2 Electrical installation

Make sure all cables are deenergized, so there is no voltage. Electricity can cause injuries.

The light ring will be fixed with 3 conducting steel cables at the canopy.

Adjust the suspension height of the light fixture through premounted push brackets in canopy. Afterwards cut overhanging cable, pay attention to remaining cables, they shouldn't touch the frame nor any other cables or components. Danger of short-circuit.

**Please note: Shortend ropes can only replaced from the factory against longer ropes.**

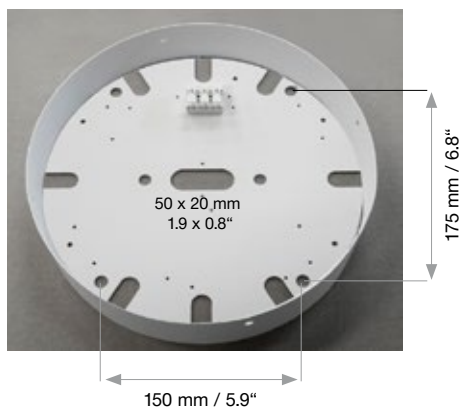


#### 2.3 Connection template with canopy

Connect cables with enclosed screwdriver and premounted push terminals use connection diagram.

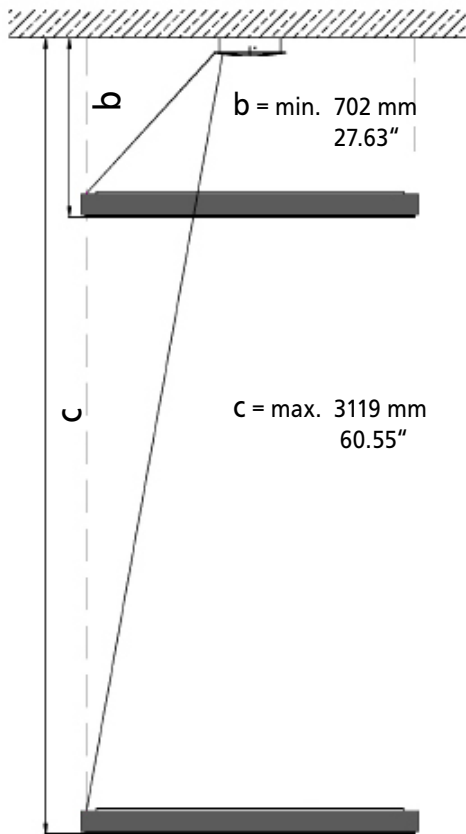
- **The polarity of the light and the canopy has to be identical.**
- **Attention: Do not bend!**
- **Attach canopy cover and fix it with enclosed screws.**
- **Check functionality of light fixture.**

Canopy  $\text{\O} 260 \text{ mm} / 10.2''$



## SOFT DELTA / SOFT DELTA LIGHT + ACOUSTIC

**With canopy - min. (b) approx. max. (c) distance from ceiling**

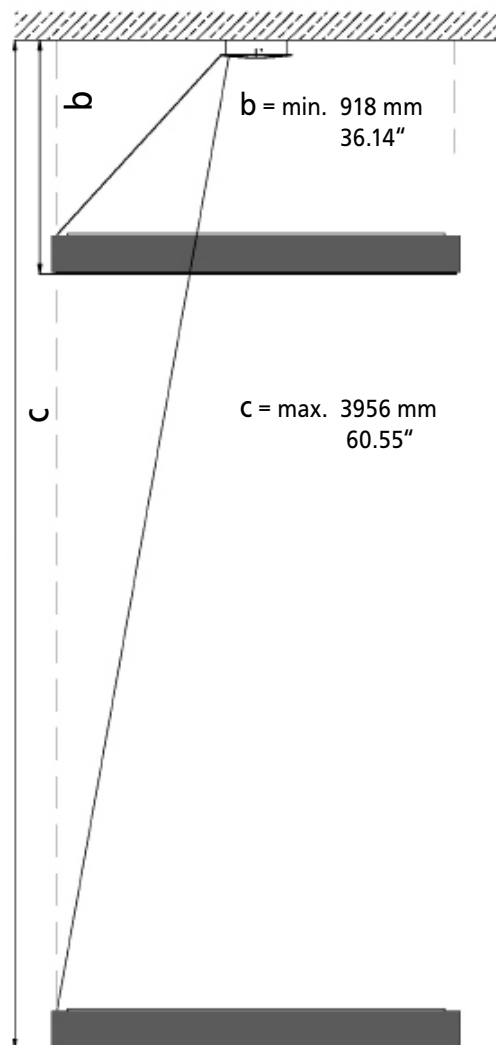


b = min. 702 mm  
27.63"

c = max. 3119 mm  
60.55"

SOFT DELTA

1340 x 1309 mm / 52,7 x 51.5"



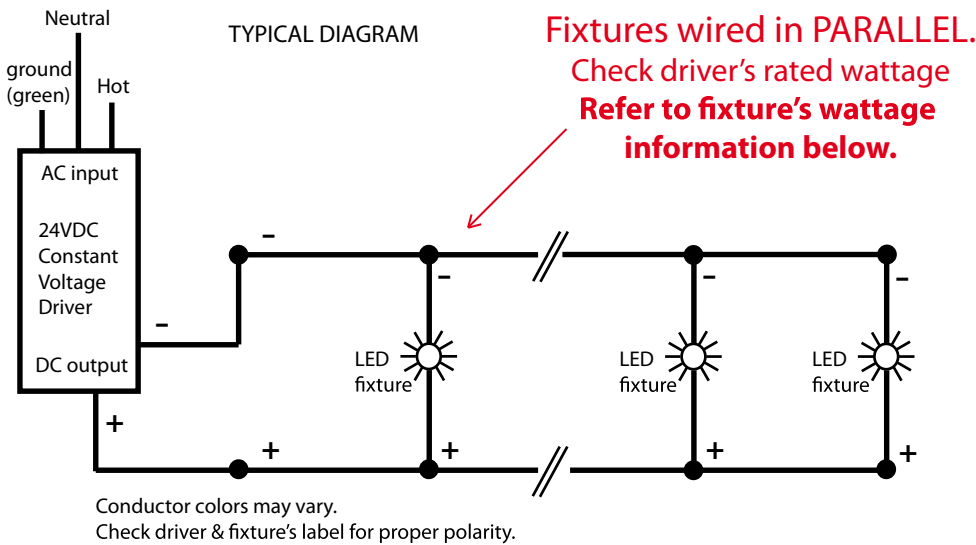
b = min. 918 mm  
36.14"

c = max. 3956 mm  
60.55"

SOFT DELTA

1735 x 1717 mm / 68.3 / 67.5"

Wiring Key Points	
1.	This product shall be installed by a qualified electrician.
2.	Make sure the main power supply to the driver is turned off when wiring either the LEDs or driver.
3.	LEDs shall be wired in parallel as shown in wiring diagram. CAUTION: incorrect wiring may damage LEDs.
4.	Wire shall be #18AWG stranded minimum. Large gauge wire shall be used to limit voltage drop in order to maintain the proper operating voltage. Take every precaution to avoid interference from other electrical circuits and equipment.
5.	Dimming circuits are more sensitive to voltage drop and electrical interference from other electrical sources.
6.	Isolating LED wiring by dedicated circuit for each control zone is recommended.
7.	Contractor shall verify the fixture quantities connected to the driver are compatible with the driver's specifications prior to energizing the circuit.
8.	All Class II power cable remote wiring and driver enclosures by others.
<b>LED's can be permanently damaged if these points are not followed</b>	



Maximum wiring distance\*

Wire gauge	Load per driver		
	≤48W	≤72W	≤96W
#18AWG	37'	25'	18'
#16AWG	59'	39'	29'
#14AWG	95'	63'	47'
#12AWG	151'	101'	75'
#10AWG	241'	160'	120'

\* Voltage drop guide for 24VDC. Actual Voltage drop to be calculated by installer.