

# Assembly instruction

Date:18.09.17

## INSIEME

### General remarks on safety

Read all of these instructions before installing fixtures.

- Keep all of the instructions for future reference.
- Turn off power before installing fixture.
- Installation is to be performed by a qualified electrician.
- All installations are to conform to the standards of National Electrical Code as well as all local jurisdictional codes and regulations.
- Any modification of the luminaire will void any and all written or implied warranties.
- Do not open the luminaire - this will void the IP rating
- The manufacturer accepts no responsibility for damage to persons or property arising through improper use or installation.

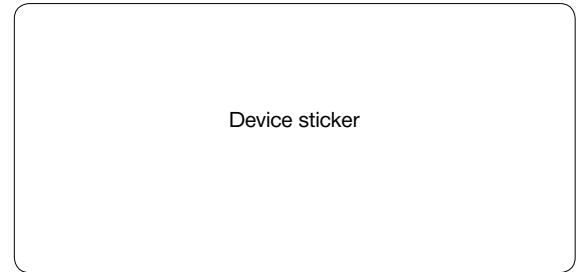
THIS PRODUCT MUST BE INSTALLED IN ACCORDANCE WITH THE APPLICABLE INSTALLATION CODE BY A PERSON FAMILIAR WITH THE CONSTRUCTION AND OPERATION OF THE PRODUCT AND THE HAZARDS INVOLVED



### Dangers

- Verify power is off at installation time.
- Injuries caused by electricity are possible

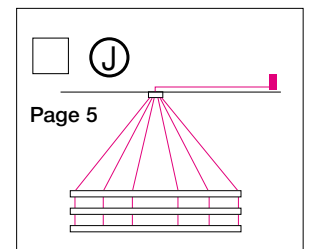
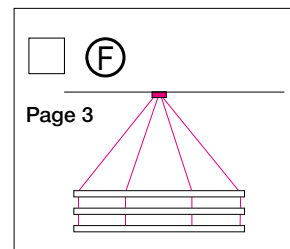
### Technical Data:



Measurements Ø mm / inches	Weight kg / lbs	
	Light Fixture	Canopy/ Operating Unit
Ø 900 / 35.4	5.0 / 11.0	5.0 / 11.0
Ø 1240 / 48.8	7.0 / 15.4	5.0 / 11.0
Ø 1550 / 61.0	9.0 / 19.8	5.0 / 11.0
Ø 1900 / 74.8	11.0 / 24.2	5.0 / 11.0

### Mounting Version

— Supply line 24 V



### Bom. (Caps)

#### Package 1-3, Pendant light rings

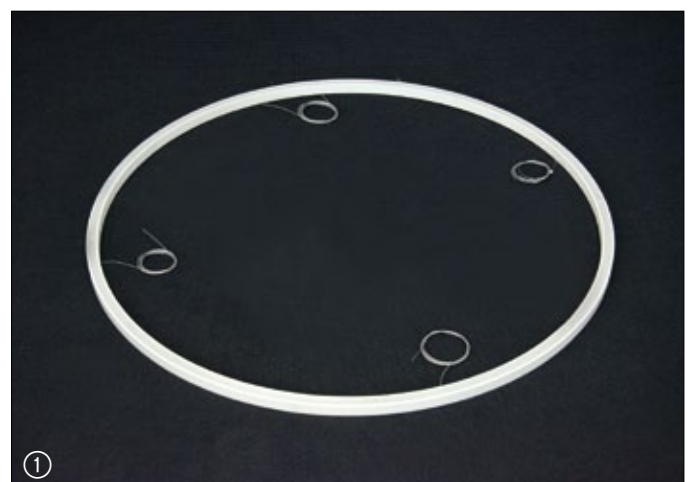
- |                                     |  |   |         |
|-------------------------------------|--|---|---------|
| <input checked="" type="checkbox"/> | Aluminium frame with acrylic glass ring and 4, respectively 6 steel cables | ① | 3 units |
|-------------------------------------|--|---|---------|

#### Package 4

- |                                     |  |     |        |
|-------------------------------------|--|-----|--------|
| <input type="checkbox"/>            | Canopy incl. power supply unit         | ②   | 1 unit |
| <input type="checkbox"/>            | Canopy with external power supply unit | ② ③ | 1 unit |
| <input checked="" type="checkbox"/> | White gloves                           | ④   | 1 pair |
| <input checked="" type="checkbox"/> | Screwdriver                            |     | 1 unit |
| <input checked="" type="checkbox"/> | Assembly instructions                  |     | 1 unit |

#### Dimmer

- |                          |                        |
|--------------------------|------------------------|
| <input type="checkbox"/> | Not dimmable           |
| <input type="checkbox"/> | DMX interface          |
| <input type="checkbox"/> | Dimmer interface 0-10V |
| <input type="checkbox"/> | Dimmer interface 1-10V |
| <input type="checkbox"/> | DALI interface         |
| <input type="checkbox"/> | LUTRON interface       |
| <input type="checkbox"/> | Bluetooth interface    |
| <input type="checkbox"/> | Enocean interface      |



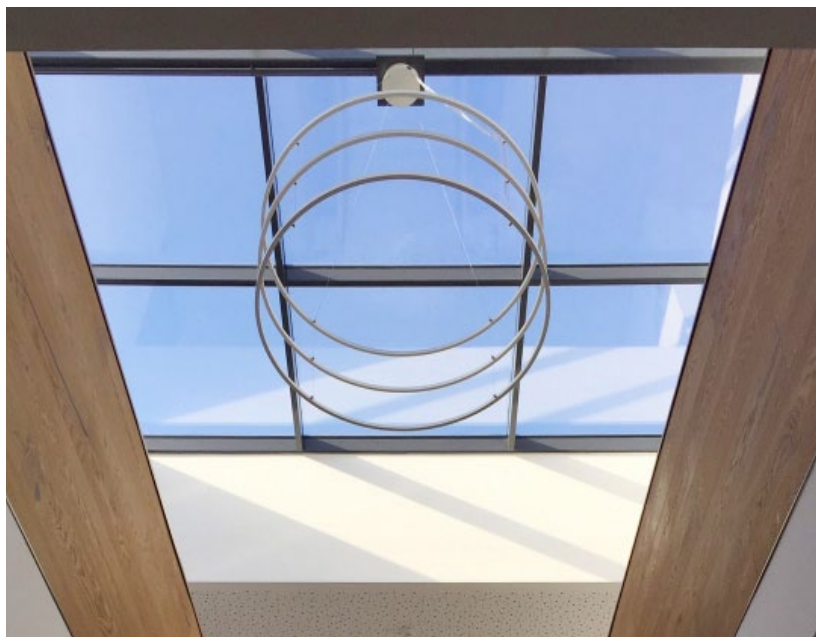
# INSIEME

## Warranty

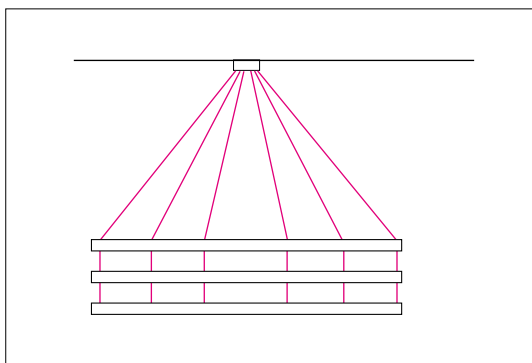
Use the enclosed assembly instructions for the installation of the lighting fixture. Non-compliance with the assembly instruction will automatically void the warranty.

The persons assigned with the installation of the product are instructed to handle it with the utmost care and safety in order to avoid damages to third parties.




The present light fixture has been tested and is fully operational.



INSIEME, assembly version (F)



## INSIEME Beam spread ring 1-3

-  Ring 1  
UP
-  Ring 2  
OUT
-  Ring 3  
DOWN

## 4 Packages



## Consignment consists of 4 packages

Unpack light fixture and check the parts list to make sure it is complete. Use the provided gloves for fitting the light fixture in order to keep polished surfaces and the acrylic glass clean.

Do not remove the protective foil until after assembly.

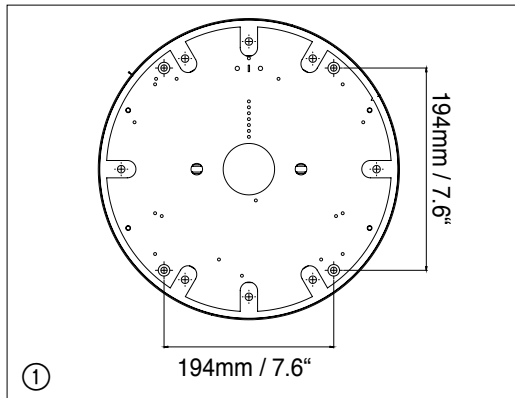
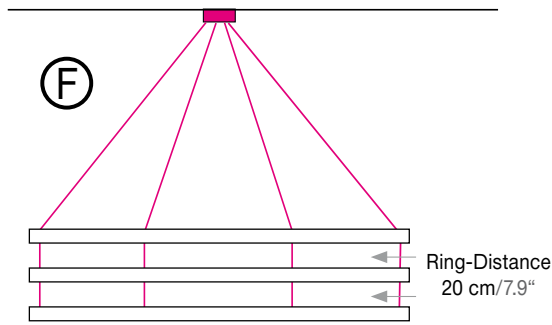
Assembly instruction

Date:18.09.17

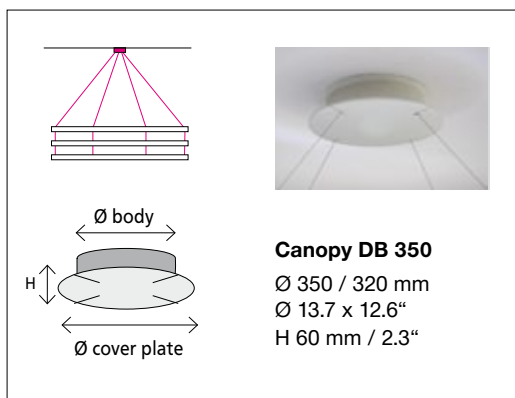
INSIEME

Ø 900 mm / 35.4"

**Light fixture with canopy –  
Connection of the light fixture  
with current-carrying steel cables**



Canopy Ø 350 mm / 13.7" with 4 steel cables



**Mounting of the canopy**



**Make sure the ceiling has sufficient support capacity!**

1. Open the canopy (4 screws on the side). Fit the base of the canopy to the ceiling with the 4 mounting points. Ø Drill 6mm / 1/4" holes and anchor to fasten canopy to ceiling ①.
2. Connect dead mains and dimming cable to the terminal block of the ceiling plate (see wiring diagram page 7).

**Connection of the light fixture**

3. Fix light fixtures with 4 steel cables to the canopy using the provided cable grippers.



**Check alignment of the life cables and corresponding cable holder**

4. Bring the light fixture into desired position by using the steel cables up or pushing the insulated nipple to loosen the cable. ②. Observe minimum / maximum suspension height on page 4.



**Consider the polarity of the current-carrying cables in accordance with the markings on the light fixture and the canopy.**



**Never adjust the suspension under pressure. The steel cables might get damaged.**

5. When the final position of fixture is given, tighten the insulated lock nut/nipple and cut the steel cable in the canopy. If you want to change the height of the light fixture later on, isolating the steel cable within the canopy is also an option.

**Not doing so will cause irreparable damage and shorting!**



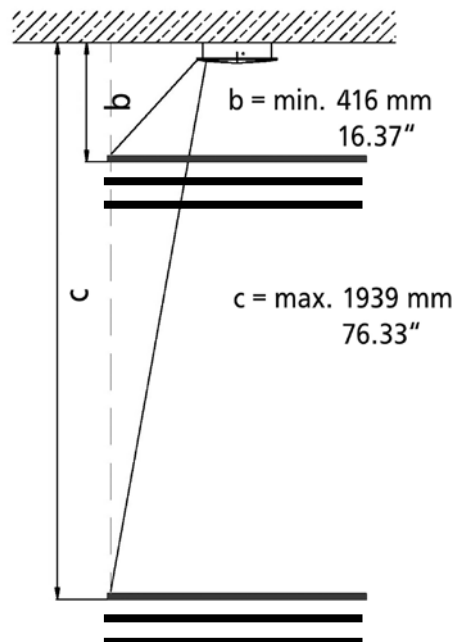
**Shortened cables can only be replaced by the factory!**

6. Mount the canopy cover and fasten it with screws from the side.
7. Check whether the light fixture is functioning.

## INSIEME

**Light fixture with canopy**

**Insieme Ø 900 mm / 35.4"**  
**minimum (b) respectively maximum (c) ceiling suspension**



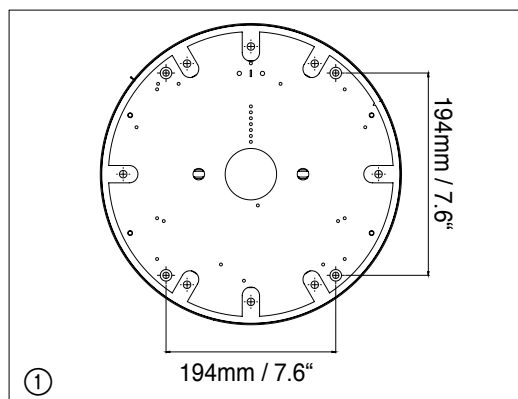
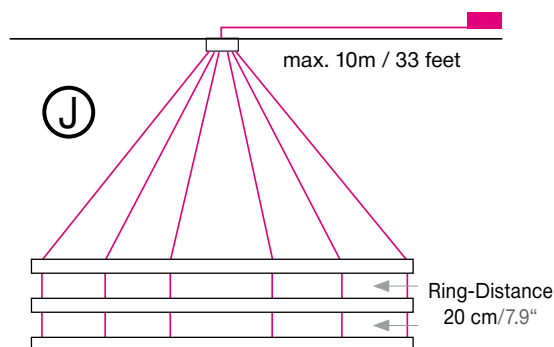
**INSIEME Ø 900 mm / 35.4"**

## Assembly instruction

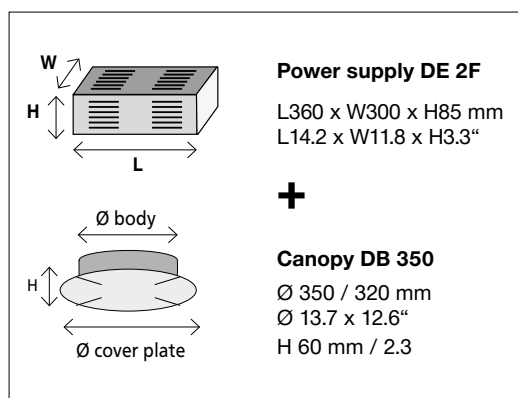
Date:18.09.17

### INSIEME

Ø 1240 - 1900 mm / 48.8 - 74.8"  
 NA: Ø 900 - 1900 mm / 35.4 - 74.8"



Canopy Ø 350 mm / 13.7" with 6 steel cables



### Light fixture with canopy – Connection of the light fixture with current-carrying steel cables and external power supply unit



#### Mounting of the canopy



**Make sure the ceiling has sufficient support capacity!**

1. Open the canopy (4 screws on the side). Fit the base of the canopy to the ceiling with the 4 mounting points. Ø Drill 6mm / 1/4" holes and anchor to fasten canopy to ceiling ①.
2. Connect dead mains and dimming cable to the terminal block of the ceiling plate (see wiring diagram page 7).

#### Connection of the light fixture

3. Fix light fixtures with 6 steel cables to the canopy using the provided cable grippers.



**Check alignment of the life cables and corresponding cable holder**

4. Bring the light fixture into desired position by using the steel cables up or pushing the insulated nipple to loosen the cable. ②. Observe minimum / maximum suspension height on page 4.



**Consider the polarity of the current-carrying cables in accordance with the markings on the light fixture and the canopy.**

**Never adjust the suspension under pressure. The steel cables might get damaged.**

5. When the final position of fixture is given, tighten the insulated lock nut/nipple and cut the steel cable in the canopy. If you want to change the height of the light fixture later on, isolating the steel cable within the canopy is also an option.

**Not doing so will cause irreparable damage and shorting!**



**Shortened cables can only be replaced by the factory!**

#### Assembly of the operating unit, connection to canopy

Mount external power supply unit only in a dry and aerated place!

Power supply cable from the operating unit to the light fixture max. 10m / 33 feet

#### Assembly of external power supply vertically or horizontally (see sketch)

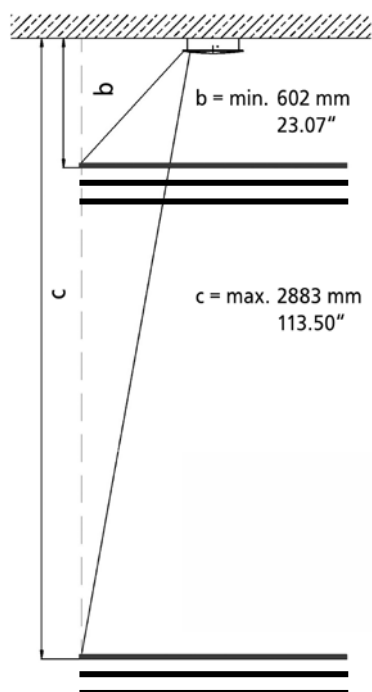
7. Open the housing of the operating unit by loosening the 4 screws.
8. Fasten operating unit sufficiently.
9. Connect primary connection and power supply cable to the canopy according to the wiring diagram (p.7), then fasten the housing of the operating unit again.
6. Mount the canopy cover and fasten it with screws from the side.
10. Check whether the light fixture is functioning.

# INSIEME

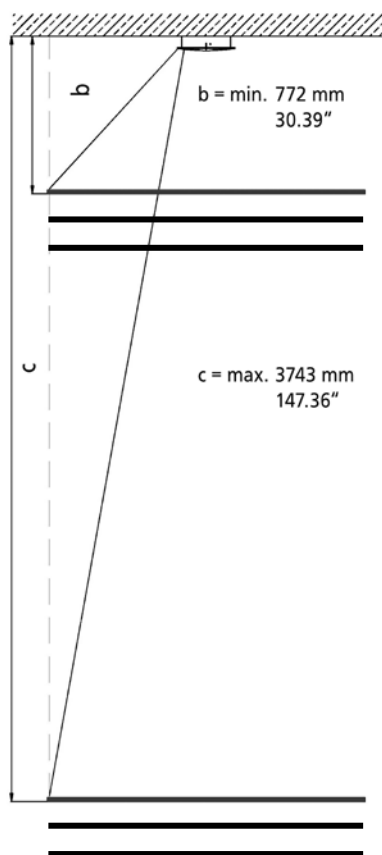


## Light fixture with canopy

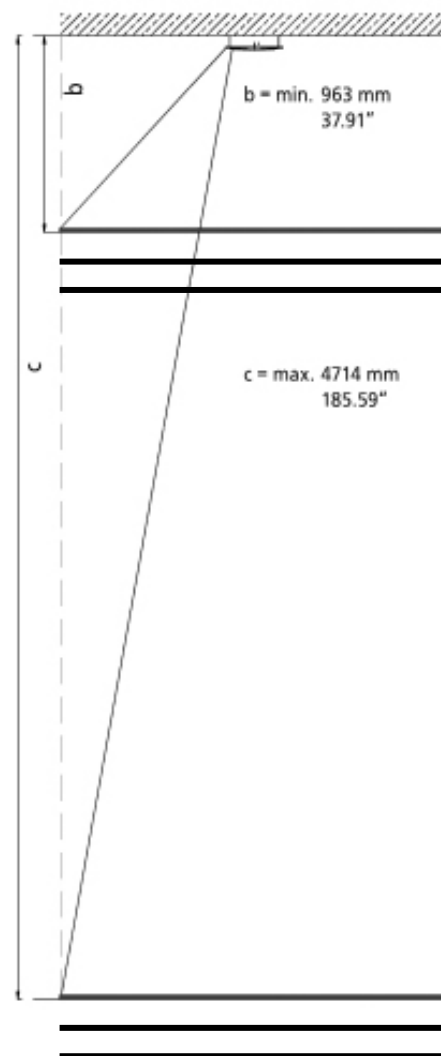
1240 mm / 61.0" - Ø 1900 mm / 74.8"  
 minimum (b) respectively maximum (c) ceiling suspension



INSIEME Ø 1240 mm / 48.8"



INSIEME Ø 1550 mm / 74.8"

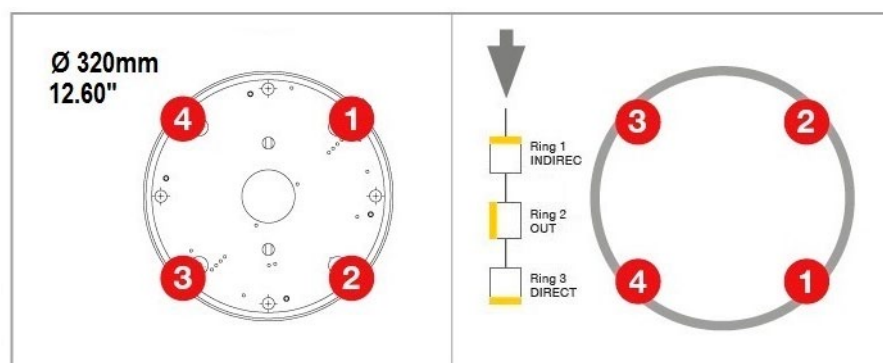
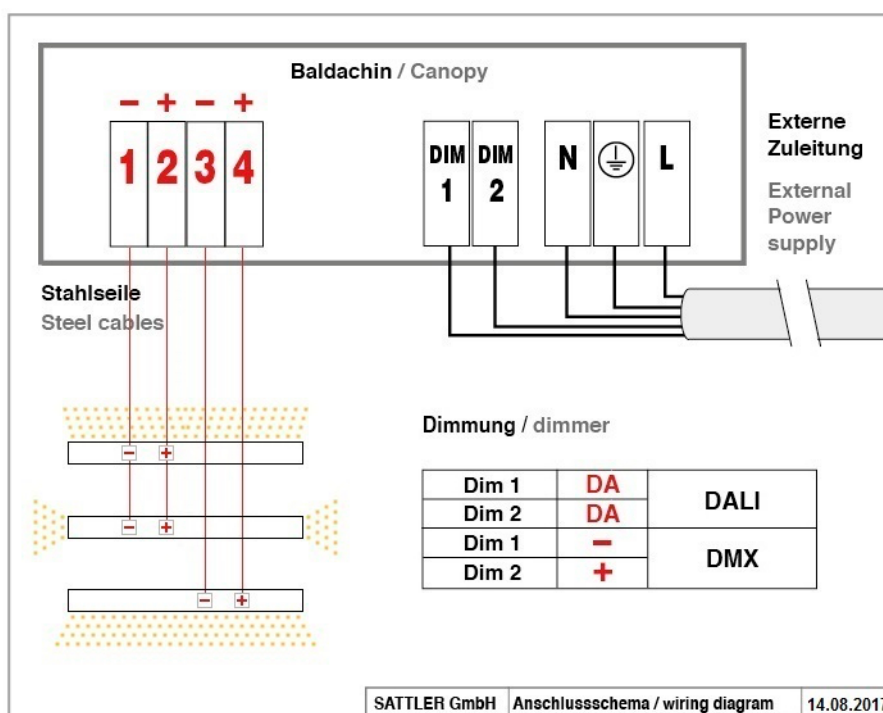


INSIEME Ø 1900 mm / 74.8"

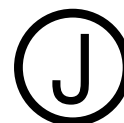
INSIEME



Wiring Diagram Insieme Ø 900 mm (not for NA)



INSIEME



Wiring Diagram Insieme Ø 1240 -1900 mm

NA: Wiring Diagram Insieme Ø 900 -1900 mm

