

# Assembly instruction

Date: 14.04.15

## Pendant Light CIRCOLO

### GENERAL REMARKS ON SAFETY:

Read all of these instructions before installing fixtures.

- Keep all of the instructions for future reference.
- Turn off power before installing fixture.
- Installation is to be performed by a qualified electrician only.
- All installations are to conform to the standards of National Electrical Code as well as all local jurisdictional codes and regulations.
- Any modification of the luminaire will void any and all written or implied warranties.
- Do not open the luminaire - this will void the IP rating
- The manufacturer accepts no responsibility for damage to persons of property arising through improper use or installation.

THIS PRODUCT MUST BE INSTALLED IN ACCORDANCE WITH THE APPLICABLE INSTALLATION CODE BY A PERSON FAMILIAR WITH THE CONSTRUCTION AND OPERATION OF THE PRODUCT AND THE HAZARDS INVOLVED



### Dangers

- Verify power is off at installation time.
- Injuries caused by electricity are possible

### Technical data:



### Frame

Circular aluminum profile, opal acrylic ring in one or two parts on the inside.

### Dimension

|                 |                           | Fixture Weight<br>kg/lbs | technical-unit Weight<br>kg/lbs |
|-----------------|---------------------------|--------------------------|---------------------------------|
| Ø 750 / 29.5"   | H 107 / 4.2"              | B 65 / 2.5"              | 8 / 17.6                        |
| Ø 900 / 35.4"   | H 107 / 4.2"              | B 65 / 2.5"              | 10 / 22.0                       |
| Ø 1320 / 51.9"  | H 107 / 170 / 4.2" / 6.7" | B 70 / 2.7"              | 20 / 44.0                       |
| Ø 1600 / 62.9"  | H 107 / 170 / 4.2" / 6.7" | B 70 / 2.7"              | 25 / 55.1                       |
| Ø 1800 / 70.8"  | H 107 / 170 / 4.2" / 6.7" | B 70 / 2.7"              | 30 / 66.1                       |
| Ø 2300 / 90.5"  | H 107 / 170 / 4.2" / 6.7" | B 70 / 2.7"              | 35 / 77.1                       |
| Ø 2600 / 102.3" | H 170 / 6.7"              | B 70 / 2.7"              | 40 / 88.1                       |
| Ø 3500 / 137.8" | H 170 / 230 / 6.7" / 9.0" | B 70 / 2.7"              | 53 / 116.8                      |

### BOM

#### quantity

#### Package 1, housing

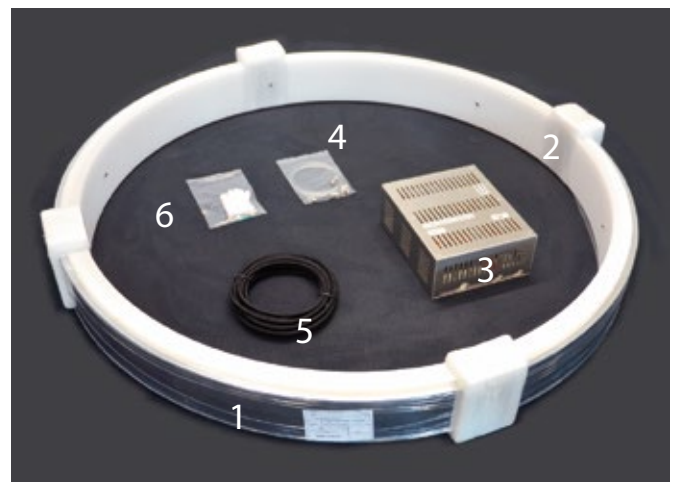
|                         |   |        |
|-------------------------|---|--------|
| Aluminum-ringframe      | 1 | 1 unit |
| Acrylic-ring, 1/2 parts | 2 | 1 unit |

#### Package 2, technical part

|   |   |        |
|---|---|--------|
| <input type="checkbox"/> Technical unit   | 3 | 1 unit |
| <input type="checkbox"/> Steel cable 5 m (197") 4-part<br>4 x straight suspension | 4 | 1 unit |
| <input type="checkbox"/> Steel cable 5 m (197") 4-part<br>1 x trapeze suspension  | 4 | 1 unit |
| <input type="checkbox"/> Supply line (textile) Tu-Lf                              | 5 | 1 unit |
| <input type="checkbox"/> Gloves, white  | 6 | 1 pair |
| <input type="checkbox"/> Screwdriver  | 6 | 1 unit |
| <input type="checkbox"/> Assembly instruction                                     | 6 | 1 unit |

|                                  |   |        |
|----------------------------------|---|--------|
| Backup: Push terminal quadruple  | 1 | 1 unit |
| Push terminal double             | 1 | 1 unit |
| Stainless steel Decoration screw | 1 | 1 unit |

|  |   |        |
|--|---|--------|
| <input type="checkbox"/> RGB, X-Fade 6-channel     | 1 | 1 unit |
| <input type="checkbox"/> RGB, Multidimmer Infrared | 1 | 1 unit |
| <input type="checkbox"/> White, Dimmer 1-10 V      | 1 | 1 unit |



## Pendant Light CIRCOLO



### Warranty

Use the enclosed assembly instructions for the installation of the lighting fixture. Non-compliance of the assembly instruction will automatically void the warranty.

The present light fixture has been tested and is fully operational



### Delivery contains 2 packages

Unpack the light fixture and check completeness according to list of items.

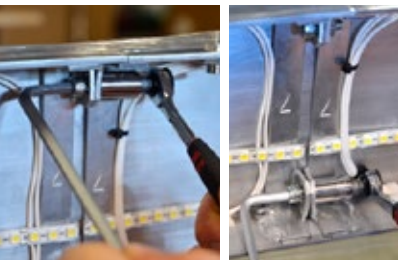
Use for installation enclosed cloth gloves to prevent soiling of polished frame, screws and acrylic-glass-ring.



### 1. Preperation

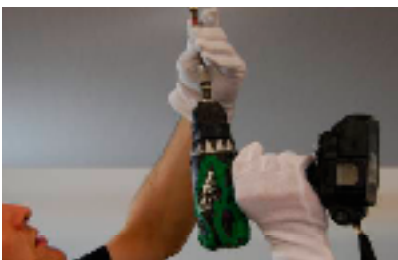
Place the aluminium ring underneath the installation position on the floor, to prevent scratches and soiling use a clean support pad.

Turn the power supply to the desired position.



### Light fixtures Ø 2600 and 3500

**Assemble the two parts of the aluminium ring on top and bottom with the screws.**



### 2. Mark anchor positions

Mark anchor position of your light fixture on the ceiling according to drilling template (next page), please mind the different diameters of the light.

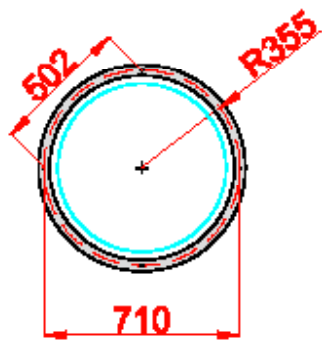
Predrill the anchor points with Ø 6mm, mount the wall plug and fix the steel cable bracket.

Please ensure the load capacity of the ceiling is sufficient.

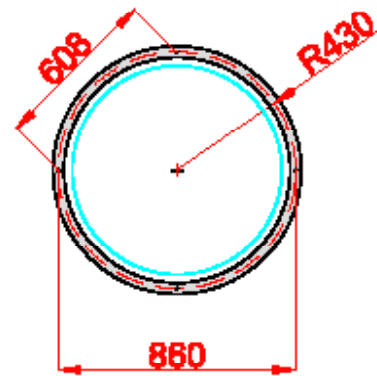
# Assembly instruction

Depending on chosen suspension:

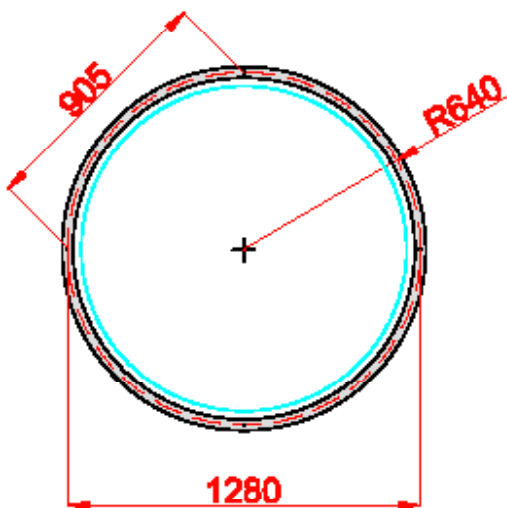
4 Suspension Points for straight suspension, 1 Suspension Point point for trapeze-suspension.



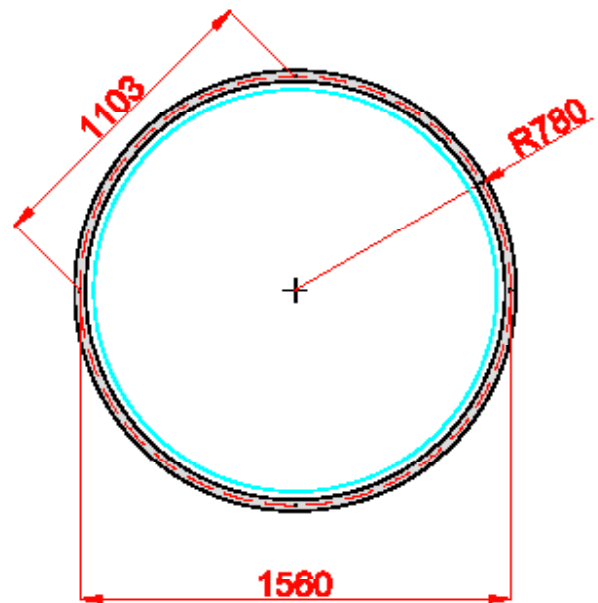
CIRCOLO Ø 750 mm  
4 Suspension Points



CIRCOLO Ø 900 mm  
4 Suspension Points



CIRCOLO Ø 1320 mm  
4 Suspension Points

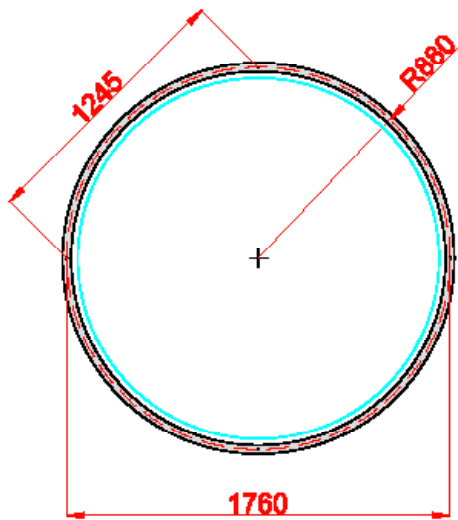


CIRCOLO Ø 1600 mm  
4 Suspension Points

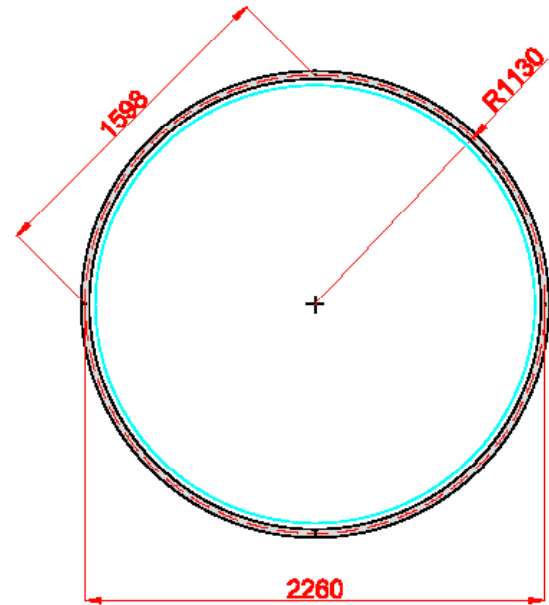
# Assembly instruction

Depending on chosen suspension:

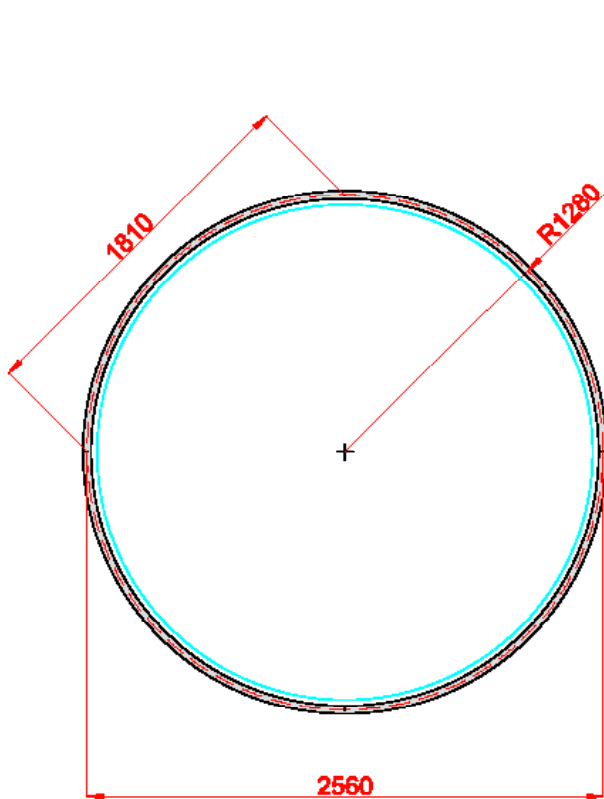
4 / 6 Suspension Points for straight suspension, 1 Suspension Point point for trapeze-suspension (up to 1800mm)



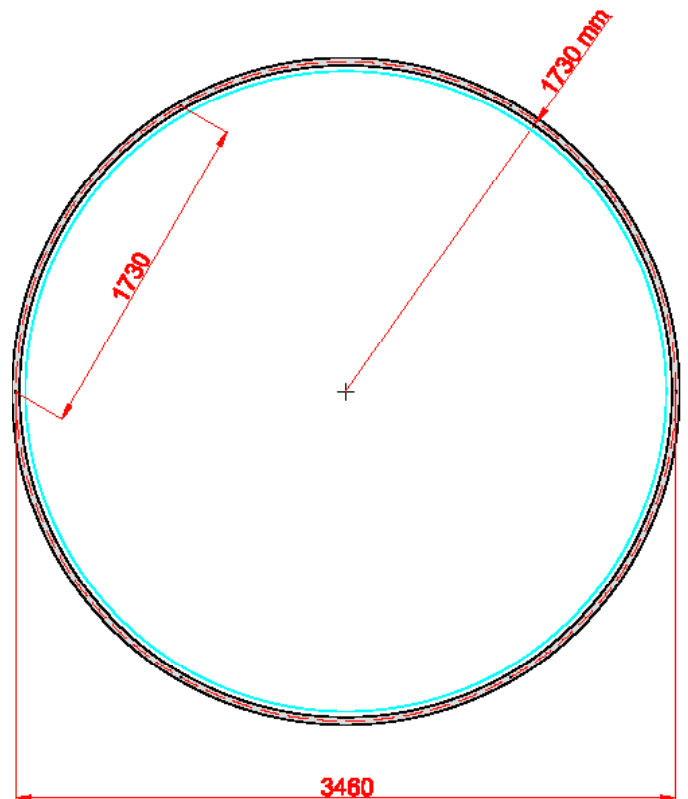
CIRCOLO Ø 1800 mm  
4 Suspension Points



CIRCOLO Ø 2300 mm  
4 Suspension Points



CIRCOLO Ø 2600 mm  
4 Suspension Points



CIRCOLO Ø 3500 mm  
6 Suspension Points

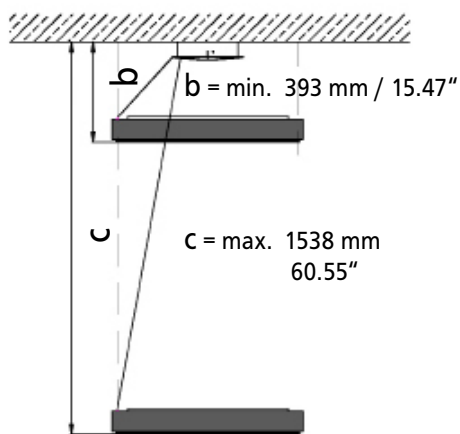
# Assembly instruction

## Pendant Light CIRCOLO

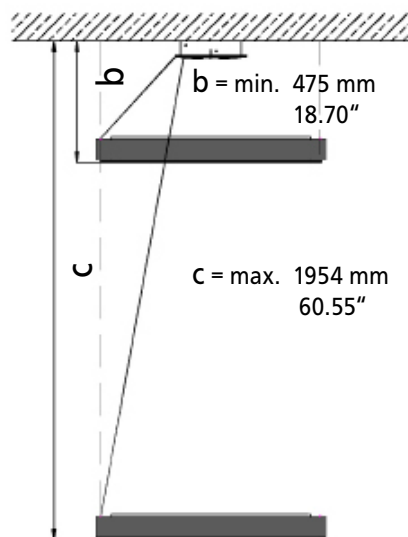
Ø 750 mm / 29.52"

Ø 900 mm / 35.43"

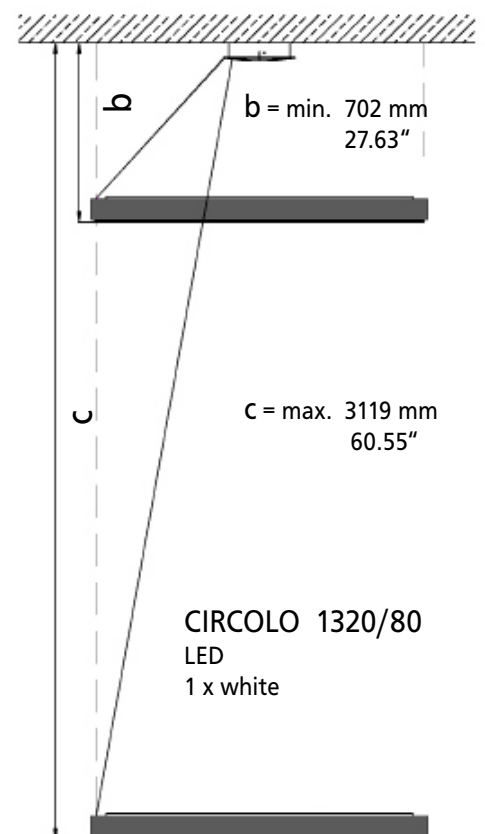
With canopy - min. (b) approx. max. (c) distance from ceiling



CIRCOLO 750  
LED  
1 x white  
or  
1 x white + RGB



CIRCOLO 900  
LED  
1 x white  
or  
1 x white + RGB



CIRCOLO 1320/80  
LED  
1 x white

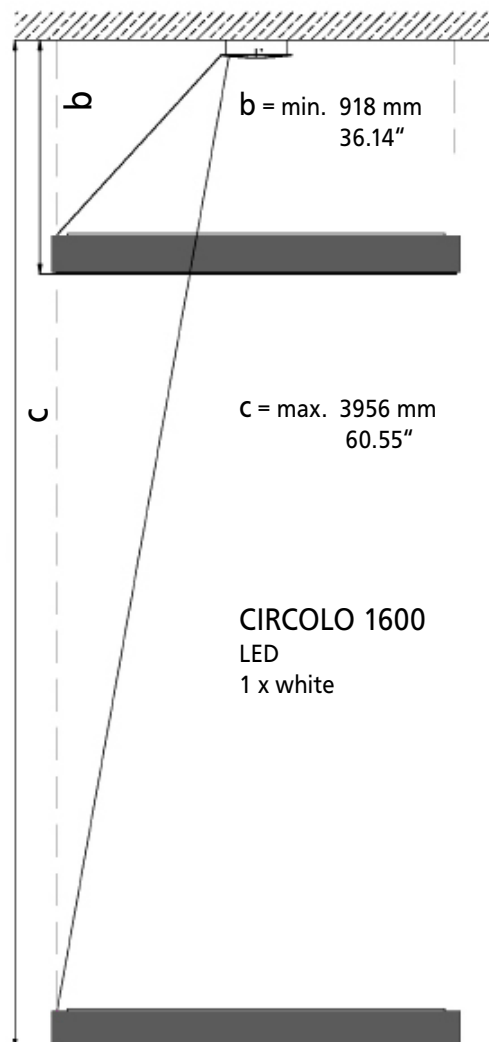
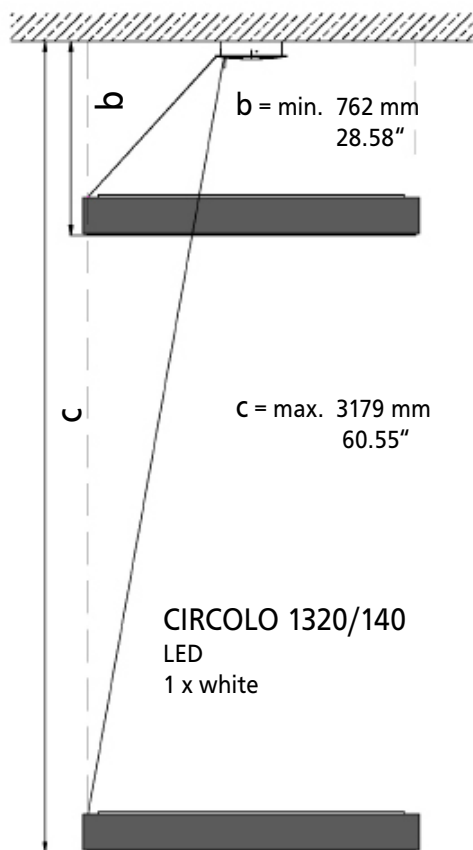
# Assembly instruction

## Pendant Light CIRCOLO

Ø 1320 mm / 51.96"

Ø 1600 mm / 62.99"

**With canopy - min. (b) approx. max. (c) distance from ceiling**



## Pendant Light CIRCOLO

### 3. Attachment of steel cable suspension

#### Straight suspension or trapeze suspension

The steel cable bracket supports static loads. Requirement for safe use is a attachment to the ceiling (wall plug, hoes, etc. ) which is supporting a ultimate load of 45 kg. Attachment should be performed by a technician.

**Insert the lower ends of the steel cable to the premounted steel cable brackets on the light fixture. Through soft pressure on the spring-loaded nozzle of the steel cable bracket it is smoothly adjustable upward or downward to the desired position. As soon as there is load on the steel cable bracket, it will secure itself and it won't slide in any directions.**

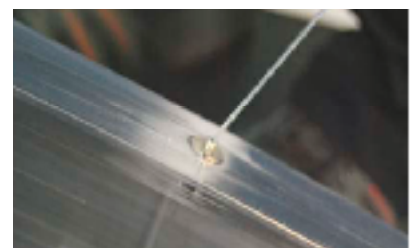
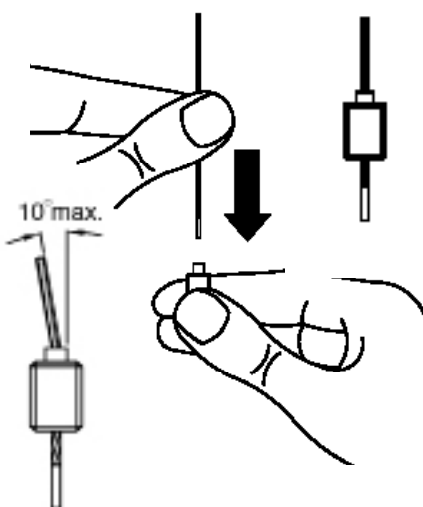
To adjust it again : lift the light fixture to relieve load of the steel cable brackets (!), give a soft push with your finger to the nozzle, now it is adjustable to any position again.

Please make sure that the steel cable is insert at least so far that it is visible at the lower end of the premounted bracket. If required cut the superfluous cable.

Advice:

The steel cable brackets are just for indoor use. Cables need to be flawless. The nozzle of the steel cable bracket must show noticeable spring loaded pressure. To ensure the full load capacity the cables shouldn't be greasy or rusty.

The steel cable brackets are just for use of supplied steel cables at static load.



The exit angle of the steel cable at the nozzle should on no account be more than 10°.

# Assembly instruction

## Pendant Light CIRCOLO



### 4. Installation of TU ( technical unit) or canopy

The TU has to be mounted vertical ( not the canopy) to guarantee air circulation.

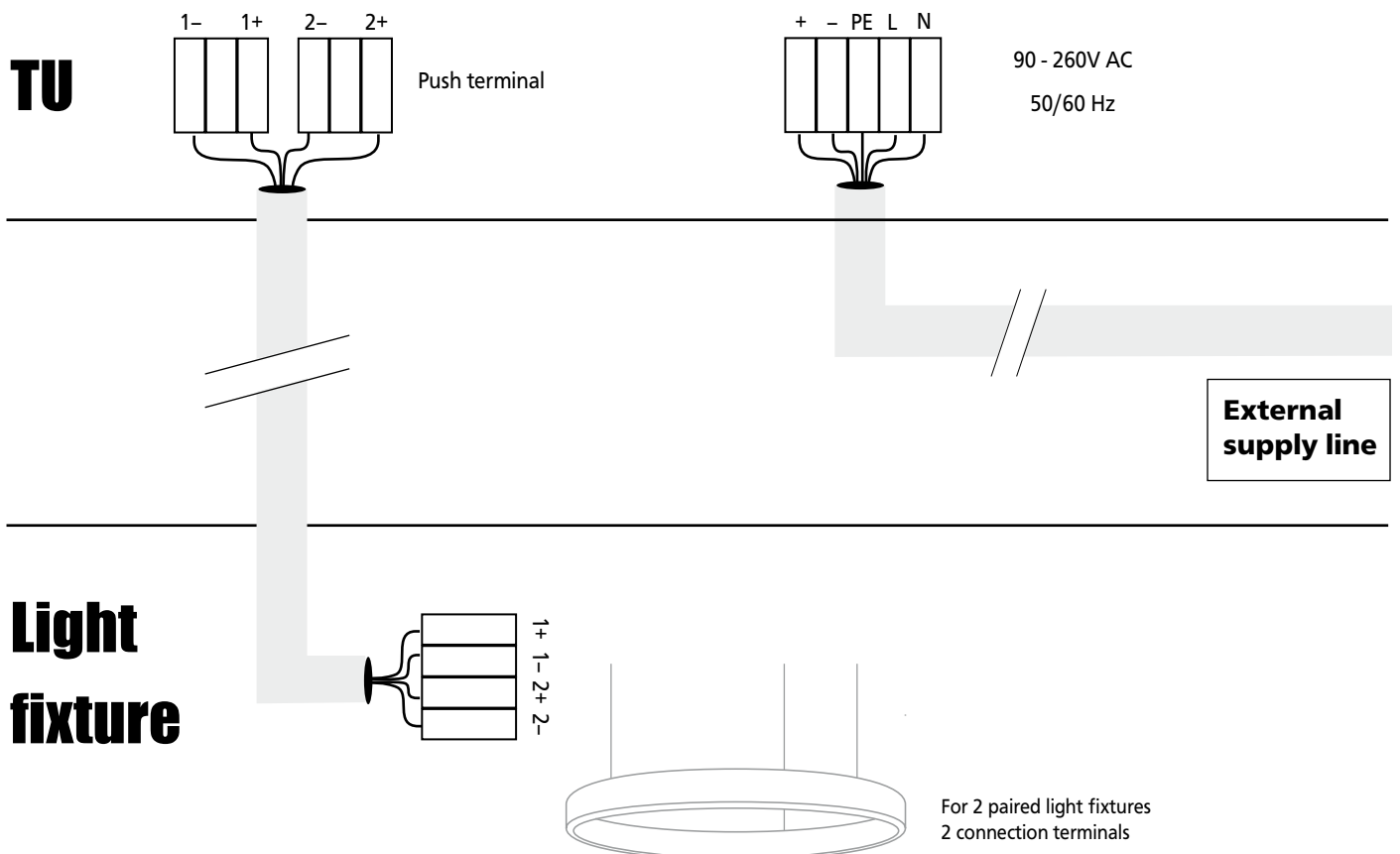
It shouldn't be mounted horizontal. Connect the external power supply line to the TU. Please take note of the numbering on the strands ,when connecting the supply line between TU and light fixture. The distance between TU and light fixture should not be more than 10 meters.

#### 4.1 Connection template

The connection has to be done in accordance to the terminal assignment. This varies depending on the diameter and the technical composition. Please connect pairwise.



### Technical unit / Canopy





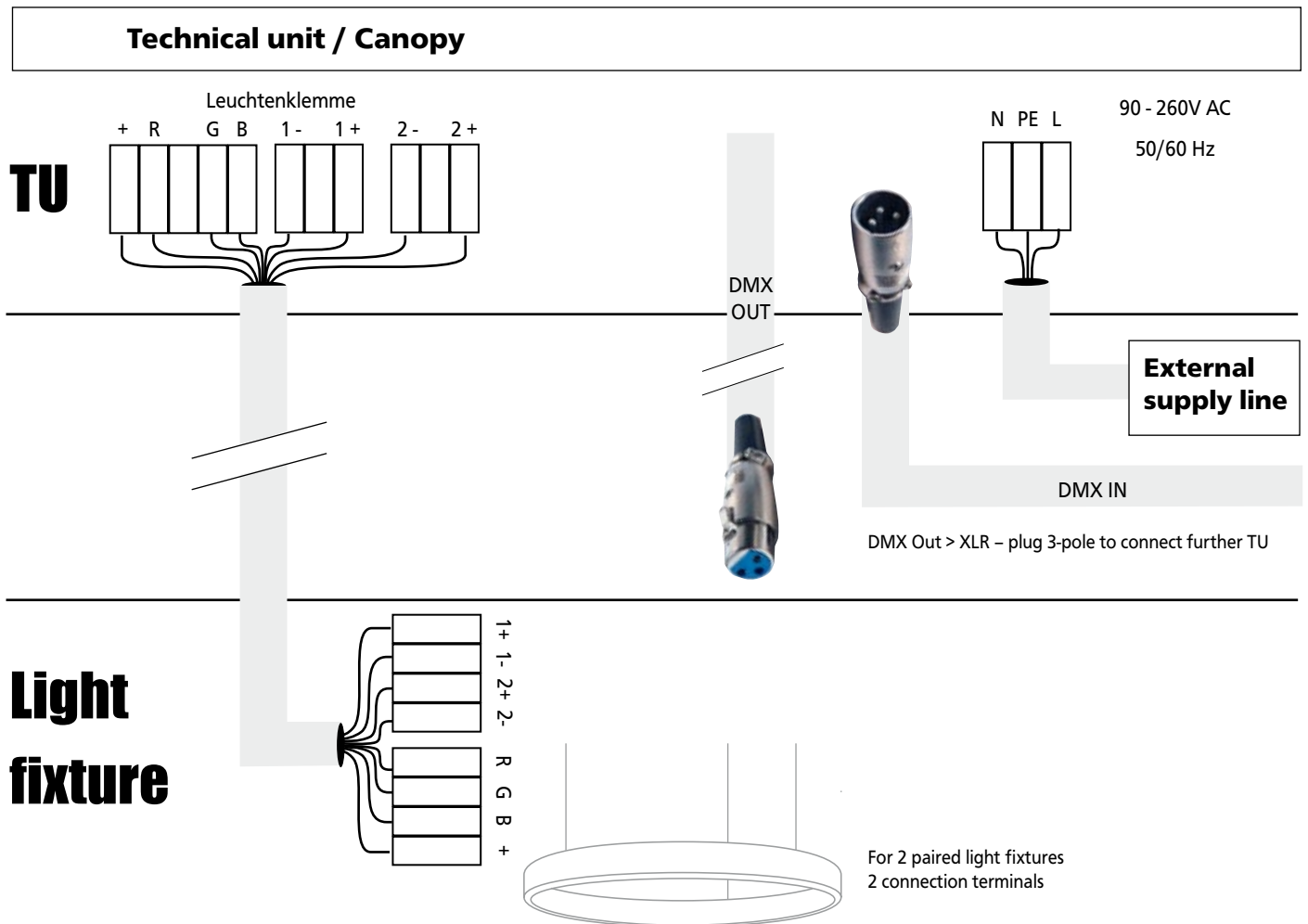
## Pendant Light CIRCOLO



### 4.1 Connection template

The connecting has to be followed as already marked by terminal assignment. This varies depending on the diameter of the light and technical composition. Please connect pairwise.

### Pattern sample RGB/White DMX



## Pendant Light CIRCOLO



### 5. Connecting the light fixture

Make sure all cables are deenergized, so there is no voltage. Electricity can cause injuries.



Pull the multi pole supply line ( coming from TU) through provided opening on the light fixture.

Install with the enclosed screwdriver and premounted push terminals according to the connection template. ( see page 6-7)

To prevent untwisting of the textile cable coating, please use electrical tape for fixation.

A cable tie ensures cable relief.



### Check functionality of light fixture



### 6. Mounting of acrylic glass ring

Please use textile gloves to mount the two parts of the acrylic glass ring. Insert the ringparts each from the side into the already suspended and leveled light fixture.

The acrylic glass ring consists out of 2 pieces, please mount one by one with enclosed stainless steel screws, and align evenly.

