

Assembly instruction

Date: 20.11.15

ELLIPSE half-shell

General remarks on safety

Read all of these instructions before installing fixtures.

- Keep all of the instructions for future reference.
- Turn off power before installing fixture.
- Installation is to be performed by a qualified electrician.
- All installations are to conform to the standards of National Electrical Code as well as all local jurisdictional codes and regulations.
- Any modification of the luminaire will void any and all written or implied warranties.
- Do not open the luminaire - this will void the IP rating
- The manufacturer accepts no responsibility for damage to persons or property arising through improper use or installation.

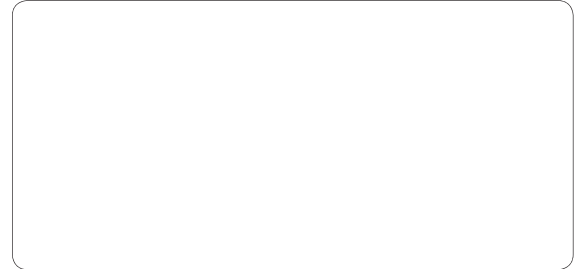
THIS PRODUCT MUST BE INSTALLED IN ACCORDANCE WITH THE APPLICABLE INSTALLATION CODE BY A PERSON FAMILIAR WITH THE CONSTRUCTION AND OPERATION OF THE PRODUCT AND THE HAZARDS INVOLVED



Dangers

- Verify power is off at installation time.
- Injuries caused by electricity are possible

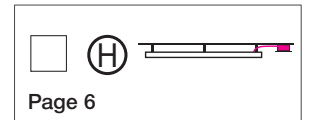
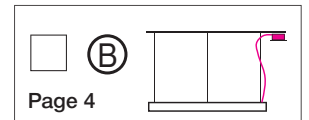
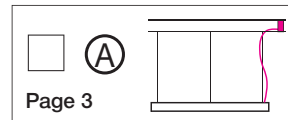
Technical Data:



Size L / H	Weight	
	Light Fixture	Canopy/ Operating Unit
2500 / 107 mm	17 kg	5.0 kg
98.4 x 4.2"	37.5 lbs	11.0 lbs

Mounting Version

— Supply line 24 V



BOM

Package 1

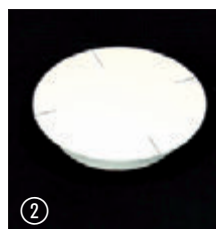
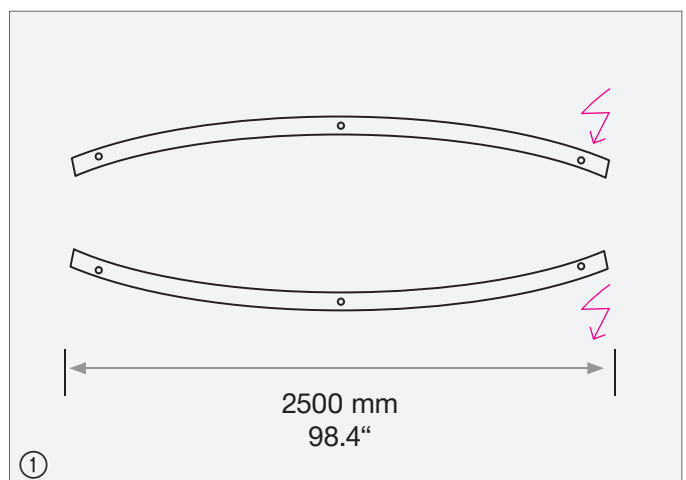
	Part	Quantity
<input checked="" type="checkbox"/>	Aluminium frame with acrylic diffuser and 6 steel cables	① 1 unit

Package 2

<input type="checkbox"/>	Canopy incl. power supply unit	② 1 unit
<input type="checkbox"/>	External power supply unit	③ 1 unit
<input checked="" type="checkbox"/>	White gloves	④ 1 pair
<input checked="" type="checkbox"/>	Screwdriver	1 unit
<input checked="" type="checkbox"/>	Assembly instructions	1 unit

Dimmer

<input type="checkbox"/>	Not dimmable
<input type="checkbox"/>	DMX interface
<input type="checkbox"/>	Dimmer interface 0-10V



ELLIPSE half-shell

Warranty

Use the enclosed assembly instructions for the installation of the lighting fixture. Non-compliance with the assembly instruction will automatically void the warranty.

The persons assigned with the installation of the product are instructed to handle it with the utmost care and safety in order to avoid damages to third parties.

The present light fixture has been tested and is fully operational.



ELLIPSE half-shell, assembly version (A)

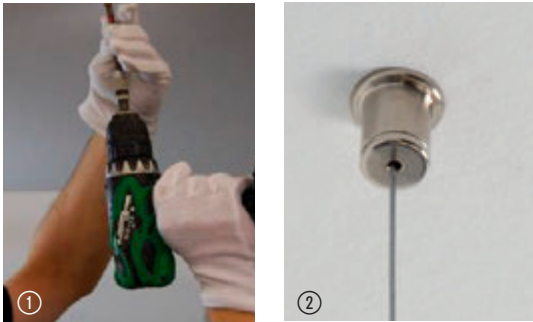
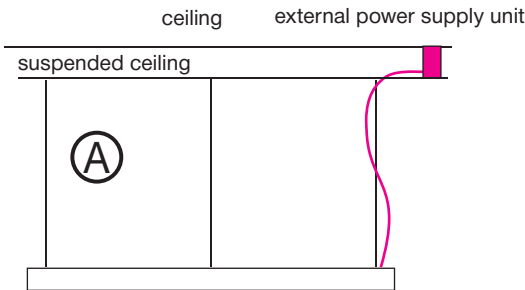


Delivery includes 2 packages

Unpack light fixture and check the parts list to make sure it is complete. Use the provided gloves for fitting the light fixture in order to keep polished surfaces and the acrylic glass clean.

Do not remove the protective foil until after assembly.

ELLIPSE half-shell



Light fixture with steel cable suspension – Connection of the light fixture with external power supply unit

Mounting of the cable grippers, installation of the light fixture



Make sure the ceiling has sufficient support capacity!

1. Mark the 6 anchor positions of the light fixture on the ceiling according to the drilling template on page 7.
2. Drill \varnothing 6mm / 1/4 holes, insert anchors and fasten steel cable holders, see pictures ① + ② .

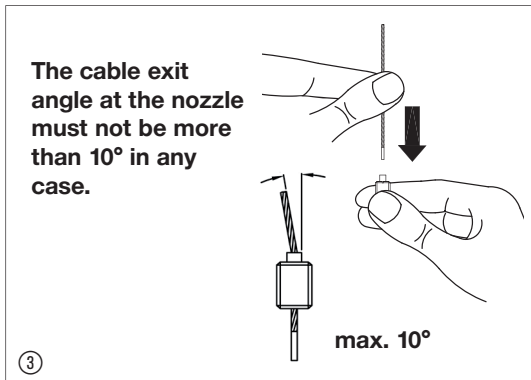


The steel cable grippers cannot be used for outdoor areas. Make sure cables are not damaged. Prior to mounting, the nozzle of the steel cable bracket has to have noticeable spring pressure. In order to ensure full suspension, the steel cables have to be clean and free from greases, oils and rust. The steel cable grippers can only be used in connection with the provided cables for stationary and static loads, see picture ③

3. Insert the cables which have been pre-attached to the light fixture in the steel cable grippers.
4. Lift the light fixture into its desired position and adjust by applying light pressure on the steel cable grippers.
5. If provided, lock the steel cable grippers in place by use of the insulated knurled screw.
6. Shorten excessive steel cables.



Shortened cables can only be replaced by the factory!



Assembly of the power supply, connection to light fixture

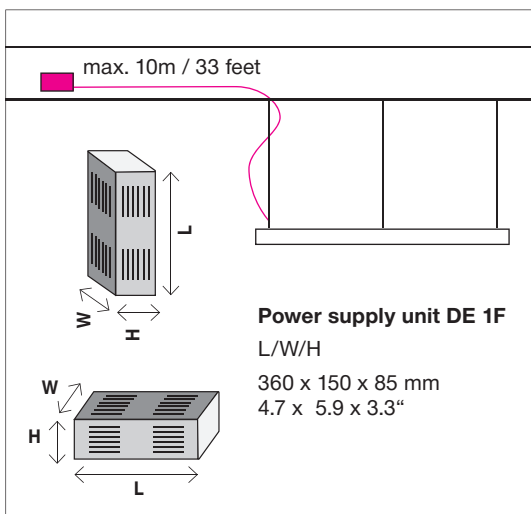


Mount external power supply only in a dry and aerated place!

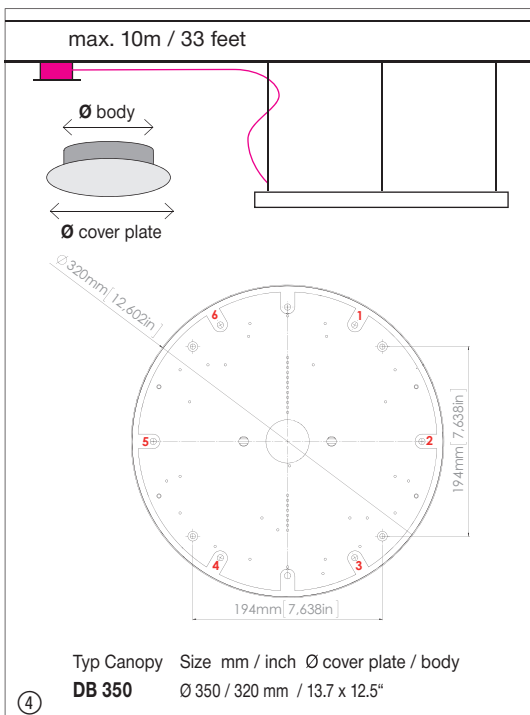
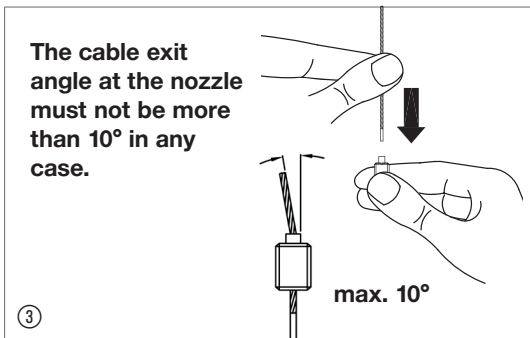
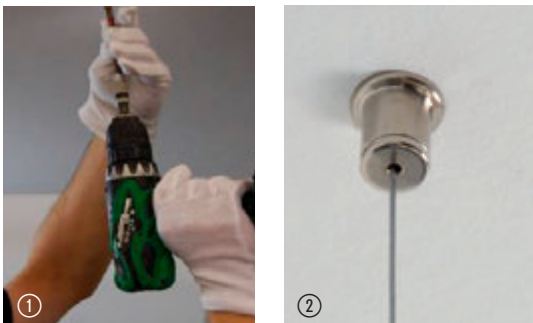
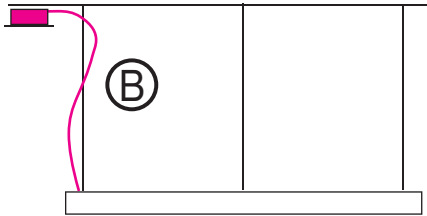
Power supply cable from the operating unit to the light fixture max. 10m / 33 feet

Install the external power supply only vertically or horizontally (see sketch)

7. Open the housing of the operating unit by loosening the 4 screws.
8. Fasten operating unit sufficiently.
9. Connect primary connection and power supply cable of the light fixture according to the wiring diagram (p.8), then fasten the housing of the operating unit again.
10. Check whether the light fixture is functioning.



ELLIPSE half-shell



Light fixture with steel cable suspension – Connection of the light fixture with separate canopy



Mounting of the cable grippers, installation of the light fixture



Make sure the ceiling has sufficient support capacity!

1. Mark the 6 anchor positions of the light fixture on the ceiling according to the drilling template page 7.
2. Drill Ø 6mm / 1/4 holes, insert anchors and fasten steel cable holders, see pictures ① + ② .



The steel cable grippers cannot be used for outdoor areas. Make sure cables are not damaged. Prior to mounting, the nozzle of the steel cable gripper has to have noticeable spring pressure. In order to ensure full suspension, the steel cables have to be clean and free from greases, oils and rust. The steel cable gripper can only be used in connection with the provided cables for stationary and static loads, see picture ③

3. Insert the cables which have been pre-attached to the light fixture in the steel cable grippers.
4. Lift the light fixture into its desired position and adjust by applying light pressure on the steel cable grippers.
5. If provided, lock the steel cable grippers in place by use of the insulated knurled screw.
6. Shorten excessive steel cables.



Shortened cables can only be replaced by the factory!

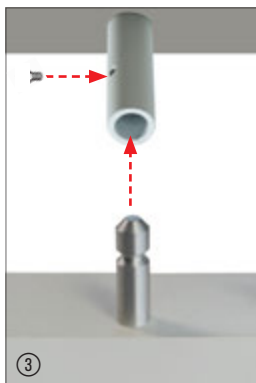
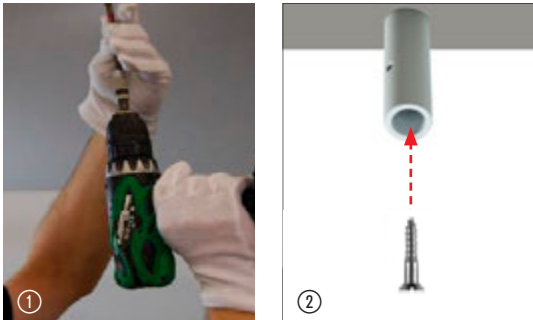
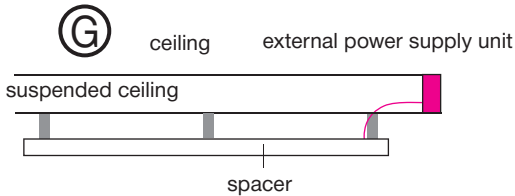
Assembly of the canopy, connection to light fixture



Power supply cable from the operating unit to the light fixture max. 10m / 33 feet

7. Mark the 4 anchor positions of the canopy on the ceiling according to the scale sketch ④. Drill Ø 6mm / 1/4 holes, insert anchors and fasten canopy.
8. Connect primary connection in accordance with the wiring diagram.
9. Insert the power supply cable that has been pre-attached to the light ring in the side of the canopy and connect to the terminal block according to wiring diagram (p. 8).
10. Mount canopy cover and fasten with screws from the side.
11. Check whether the light fixture is functioning.

ELLIPSE half-shell



Direct ceiling mounting – Connection of the light fixture with with external power supply unit

Mounting of the ceiling support



Make sure the ceiling has sufficient support capacity!

1. Mark the 6 anchor positions of the light fixture on the ceiling according to the drilling template page 7.
2. Drill \varnothing 6mm / 1/4 holes, insert anchors and fasten ceiling spacers (50 mm), see pictures ① + ② .
3. Insert the bolts which have been pre-attached to the light fixture, in the ceiling spacer.
4. Fasten with the locking screw on the side ③..

Assembly of the power supply, connection to light fixture

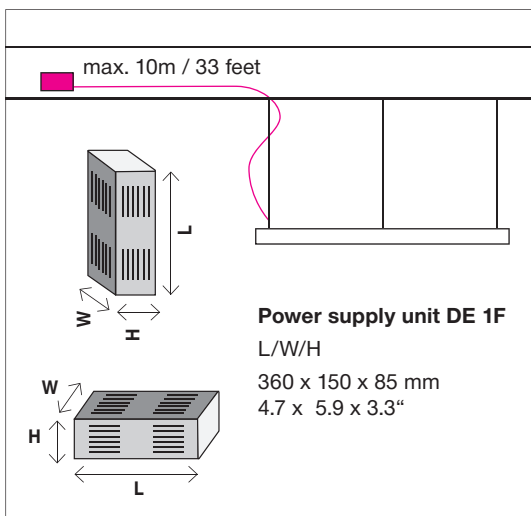


Mount power supply only in a dry and aerated place!

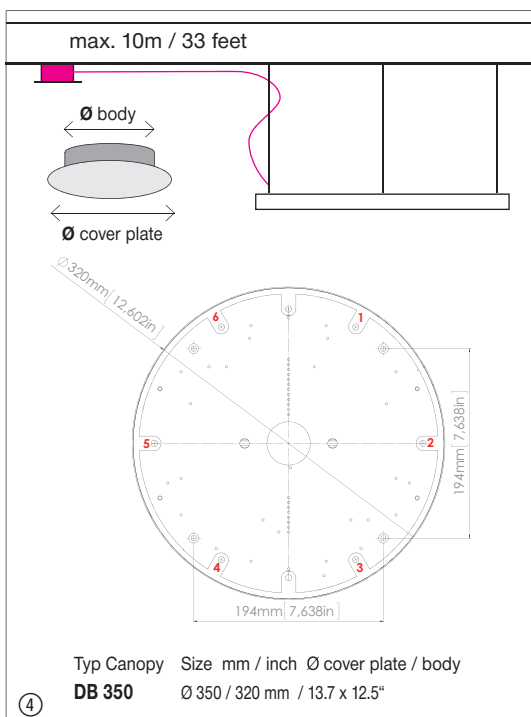
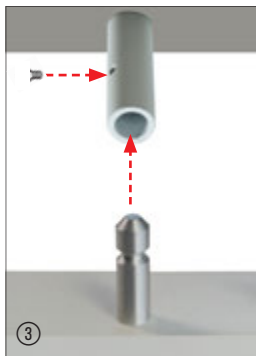
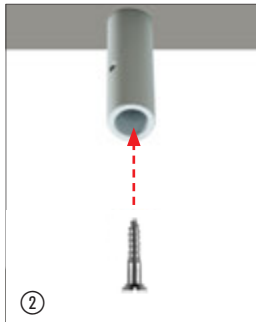
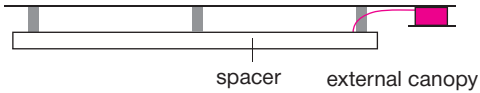
Power supply cable from the operating unit to the light fixture max. 10m / 33 feet

Install the power supply only vertically or horizontally (see sketch)

5. Open the housing of the operating unit by loosening the 4 screws.
6. Fasten power supply unit sufficiently.
7. Connect primary connection and power supply cable of the light fixture according to the wiring diagram (p. 8), then fasten the housing of the operating unit again.
8. Check whether the light fixture is functioning.



ELLIPSE half-shell



Direct ceiling mounting – Connection of the light fixture light fixture with separate canopy



Mounting of the ceiling support



Make sure the ceiling has sufficient support capacity!

1. Mark the 6 anchor positions of the light fixture on the ceiling according to the drilling template page 6.
2. Drill Ø 6mm / 1/4 holes, insert anchors and fasten ceiling spacers (50 mm), see pictures ① + ② .
3. Insert the bolts which have been pre-attached to the light fixture, in the ceiling spacer.
4. Fasten with the locking screw on the side.

Assembly of the canopy, connection to light fixture



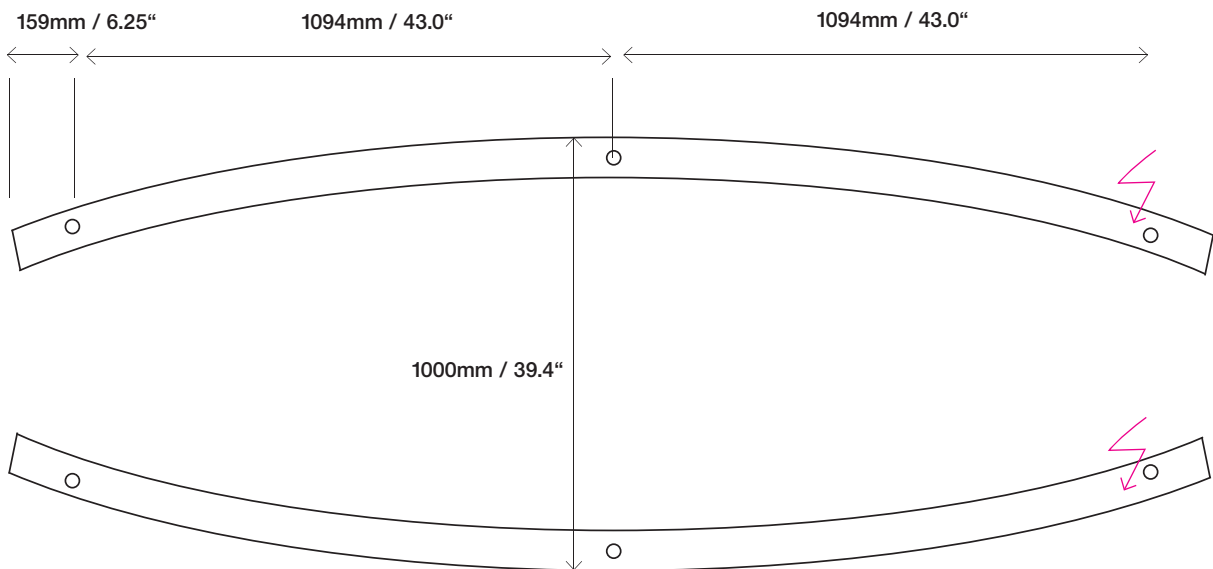
Power supply cable from the operating unit to the light fixture max. 10m / 33 feet

5. Mark the 4 anchor positions of the canopy on the ceiling according to the scale sketch ④. Drill Ø 6mm / 1/4 holes, insert anchors and fasten canopy.
6. Connect primary connection in accordance with the wiring diagram.
7. Insert the power supply cable that has been pre-attached to the light ring in the side of the canopy and connect to the terminal block according to wiring diagram (p. 8).
8. Mount canopy cover and fasten with screws from the side.
9. Check whether the light fixture is functioning.

ELLIPSE half-shell



Light fixtures with steel cable suspension or ceiling spacers



ELLIPSE half-shell

Size L / H

2500 / 107 mm / 98.4 x 4.2"

6 anchor points