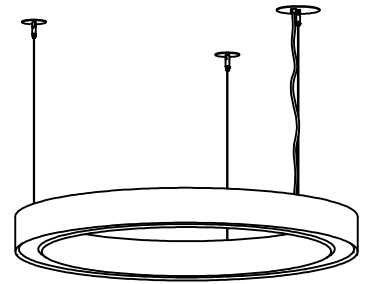
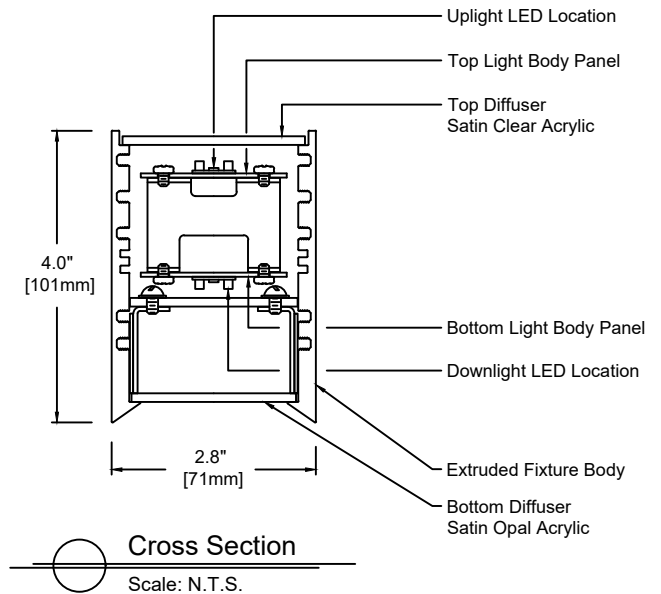
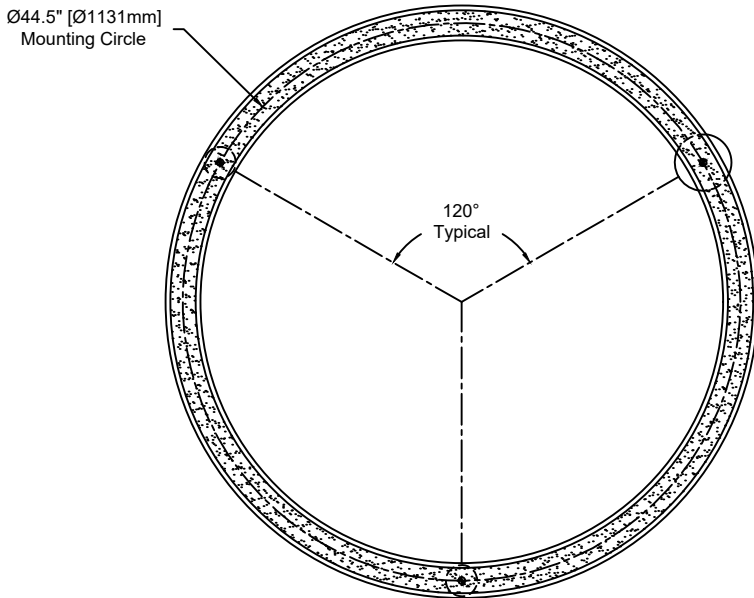
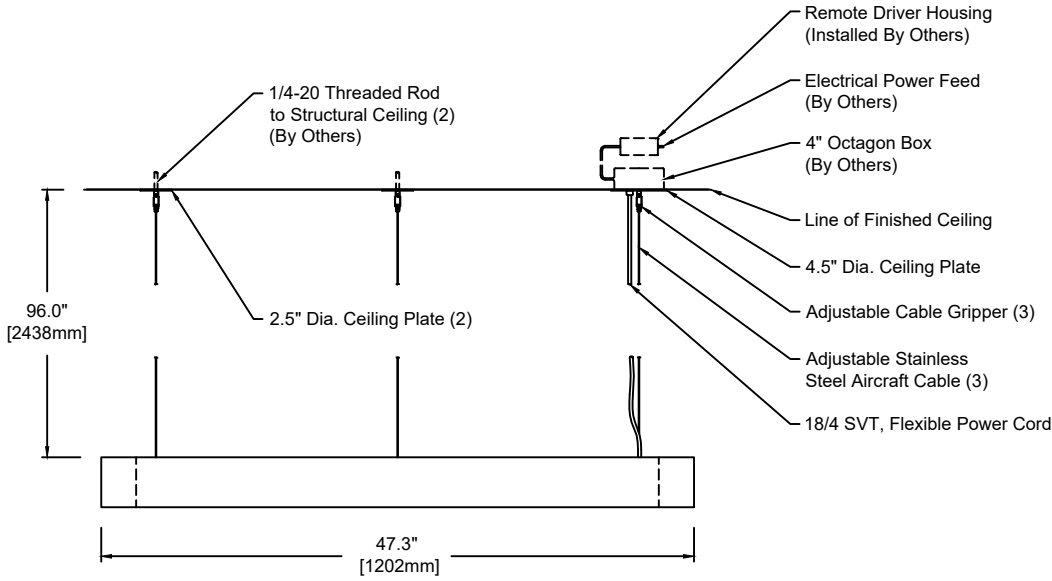


Ring UD

TECHNICAL SHEET



PERSPECTIVE VIEW



Drawing 1 of 2

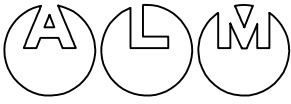
Fixture Weight : 32 lbs

1692	P	48	MD	830	MI	830	U	S	SW - SA	19	SC - DC - CC
Model	Type	Size	Wattage Direct	Color Temp	Wattage Indirect	Color Temp	Voltage	Control	Diffuser	Finish	Options
P - Pendant	48"	LD	827	LI	827	1 - 120 VAC only	S	SW - Satin Opal Acrylic (Bottom)	19 - Painted Anodized Aluminum - RAL 9006 Matte	SC - Straight Cables	
		MD	830	MI	830	U - 120/277 V	D010	CB - Aluminum Cover (Bottom)	21 - Painted White - RAL 9010 Matte	SA - Single Circuit	
		RGBD	835	RGBI	835		DFPN	SA - Satin Clear Acrylic (Top)	26 - Painted Black - RAL 9005 Matte	DC - Dual Circuit	
		00	840	00	840		L3DAE	CT - Aluminum Cover (Top)	22 - Painted Custom Color	CC - Clear Insulated Cable (Standard)	
			RGB	RGB	RGB		L3D0E			WC - White Cable	
							DMX			BC - Black Cable	

Wattage and Control

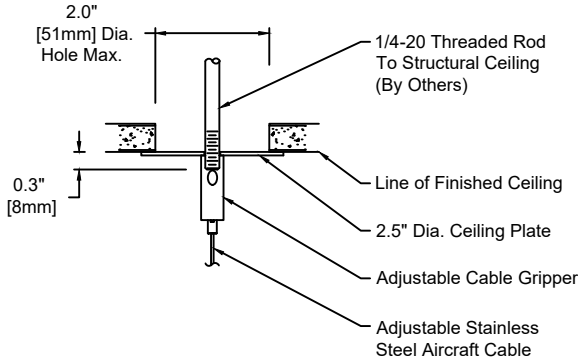
Control (Remote 24V): S - Non-Dim D010 - 0-10V 10% DFPN - Lutron Forward Phase 1%, 120VAC L3DAE - Lutron Hi-Lume 1% EcoSystem L3D0E - Lutron Hi-Lume Premier 0.1% EcoSystem DMX - DMX Dimming	For no direct or indirect light specify "00" Wattage "LD or LI" - 35 Watt 2,700K - 4,667 lm 3,000K - 4,667 lm 3,500K - 4,854 lm 4,000K - 4,947 lm Wattage "MD or MI" - 70 Watt 2,700K - 8,669 lm 3,000K - 8,669 lm 3,500K - 9,030 lm 4,000K - 9,205 lm	Technical Data: Form - linear, Operating voltage: 24VDC Color rendering index Ra min: 82 CRI, Available in 90 CRI Viewing angle: 110° Lifetime - L70: 60,000h Working temperature: -20°C to 60°C (-4°F to 140°F) Wattage "RGBD or RGBI" - 125 Watt / 3,243 lm Technical Data for RGB: Form - tape, Operating voltage: 24VDC Viewing angle: 120° Lifetime - L70: 50,000h Working temperature: -30°C to 75°C (-22°F to 167°F)	Remote Drivers: Max. wiring distance / Load Osram Lutron
			Wire Gauge ≤48W ≤72W ≤96W ≤40W ≤96W #18AWG 37' 25' 18' 15' 25' #16AWG 59' 39' 29' 25' 40' #14AWG 95' 63' 47' 40' 60'



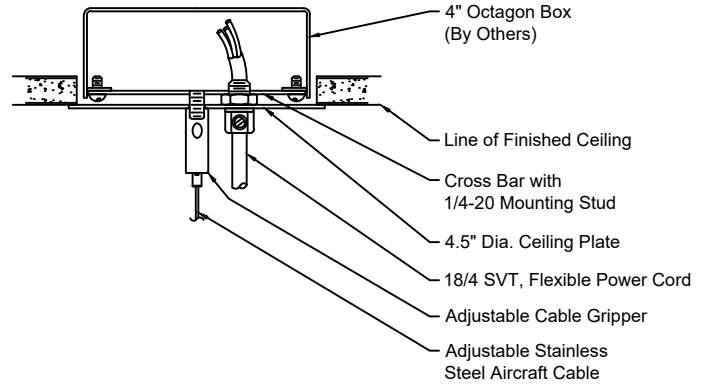


Ring UD

TECHNICAL SHEET

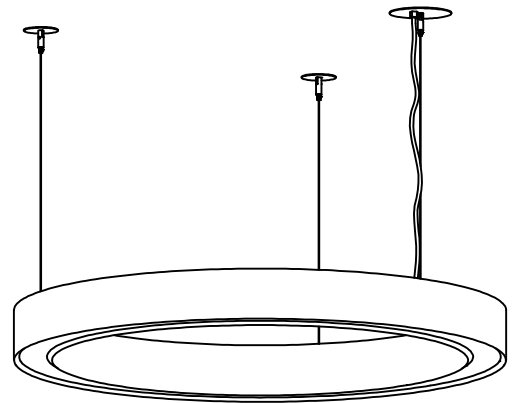
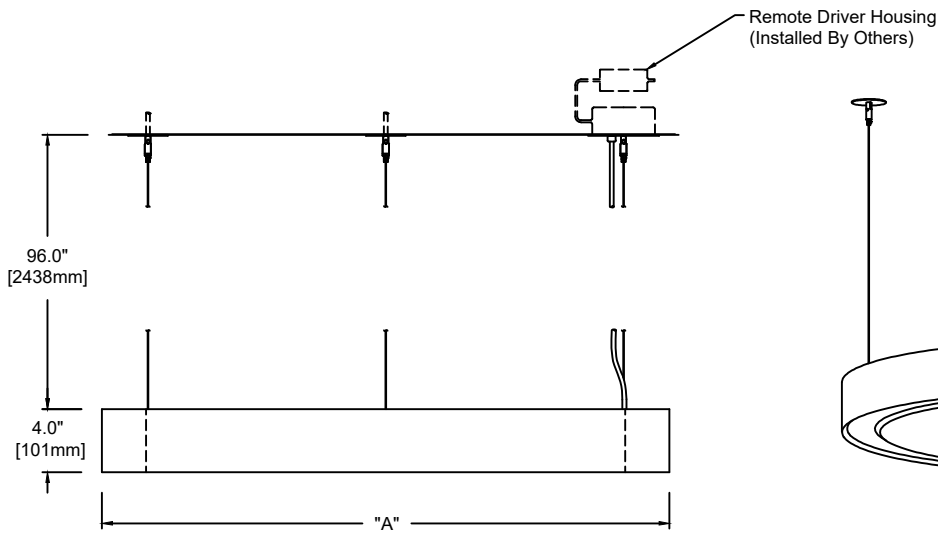


Ceiling Plate Detail - Typ. (2)
Scale: N.T.S.



Ceiling Plate - Octagon Box Detail
Scale: N.T.S.

Note:
Ceiling plate finish matches housing



Straight Cables Mounting
Scale: N.T.S.

Drawing 2 of 2

Series: 1692

Wire Gauge	Osram			Lutron	
	≤48W	≤72W	≤96W	≤40W	≤96W
#18AWG	37'	25'	18'	15'	25'
#16AWG	59'	39'	29'	25'	40'
#14AWG	95'	63'	47'	40'	60'