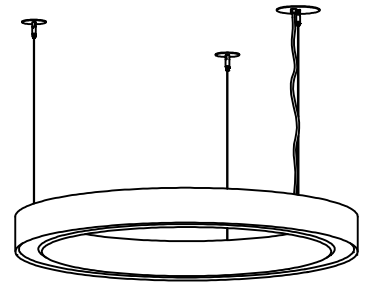
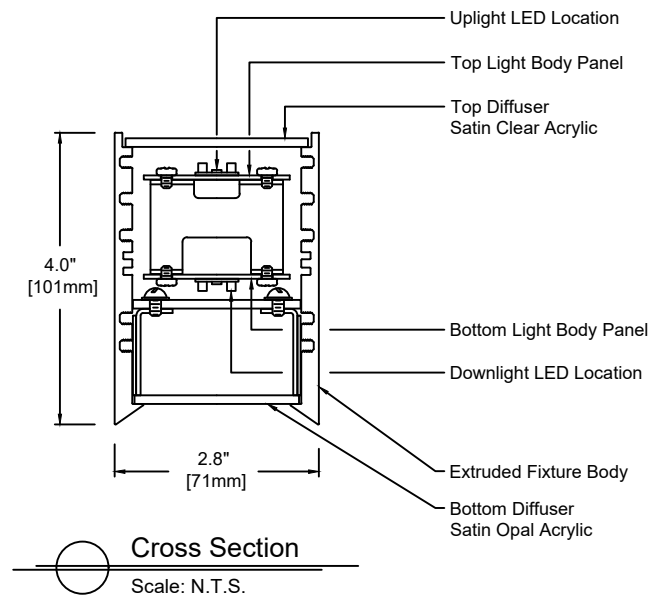
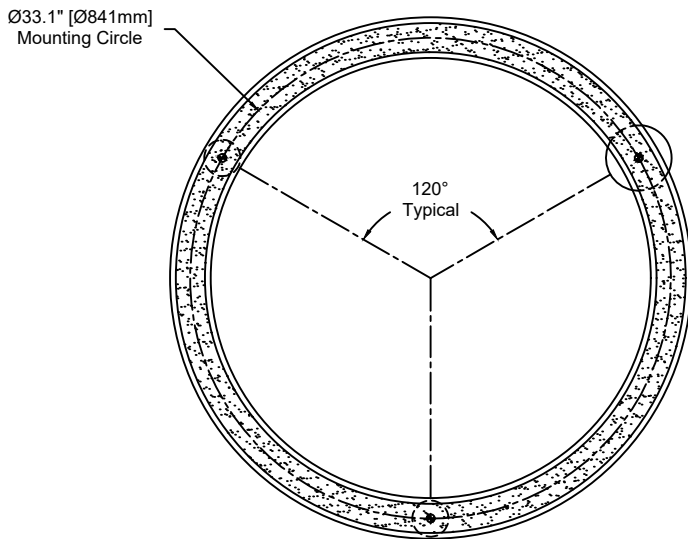
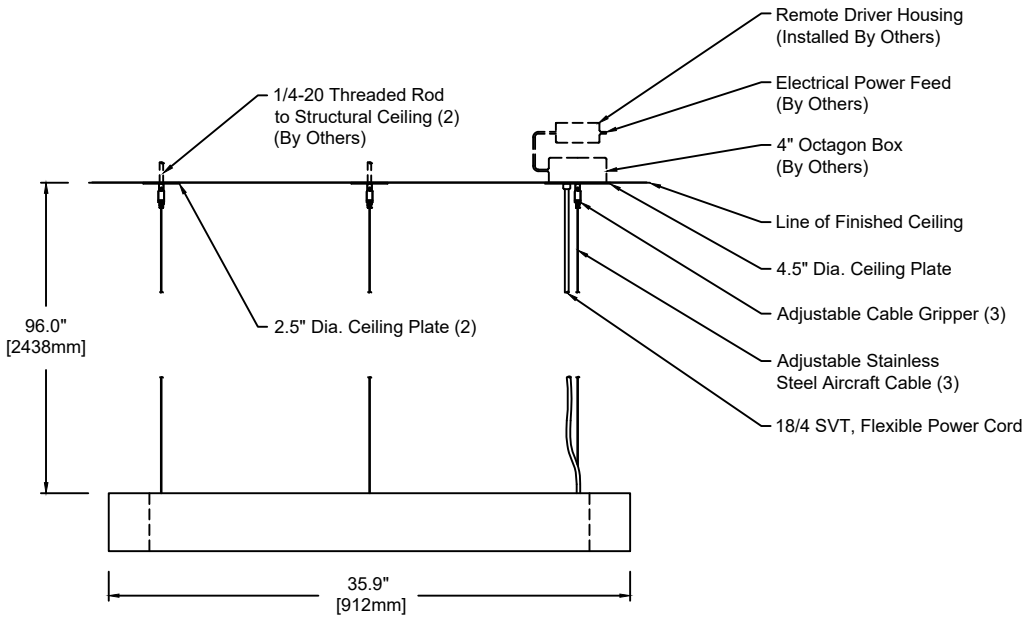


# Ring UD

## TECHNICAL SHEET



PERSPECTIVE VIEW



Cross Section

Scale: N.T.S.

Drawing 1 of 2

Fixture Weight : 24 lbs

1692	P	36	MD	830	MI	830	U	S	SW - SA	19	SC - DC - CC
Model	Type	Size	Wattage Direct	Color Temp	Wattage Indirect	Color Temp	Voltage	Control	Diffuser	Finish	Options
P - Pendant	36"	LD	827	LI	827	1 - 120 VAC only	S	SW - Satin Opal Acrylic (Bottom)	19 - Painted Anodized Aluminum - RAL 9006 Matte	SC - Straight Cables	
		MD	830	MI	830	U - 120/277 V	D010	CB - Aluminum Cover (Bottom)	21 - Painted White - RAL 9010 Matte	SA - Single Circuit	
		RGBD	835	RGBI	835		DFPN	SA - Satin Clear Acrylic (Top)	26 - Painted Black - RAL 9005 Matte	DC - Dual Circuit	
		00	840	00	840		L3DAE	CT - Aluminum Cover (Top)	22 - Painted Custom Color	CC - Clear Insulated Cable (Standard)	
			RGB	RGB	RGB		L3D0E			WC - White Cable	
							DMX			BC - Black Cable	

**Wattage and Control**

Control (Remote 24V):  
 S - Non-Dim  
 D010 - 0-10V 10%  
 DFPN - Lutron Forward Phase 1%, 120VAC  
 L3DAE - Lutron Hi-Lume 1% EcoSystem  
 L3D0E - Lutron Hi-Lume Premier 0.1% EcoSystem  
 DMX - DMX Dimming

For no direct or indirect light specify "00"

Wattage "LD or LI" - 26 Watt  
 2,700K - 3,467 lm  
 3,000K - 3,467 lm  
 3,500K - 3,606 lm  
 4,000K - 3,675 lm

Wattage "MD or MI" - 52 Watt  
 2,700K - 6,440 lm  
 3,000K - 6,440 lm  
 3,500K - 6,708 lm  
 4,000K - 6,838 lm

Technical Data:  
 Form - linear, Operating voltage: 24VDC  
 Color rendering index Ra min: 82 CRI, Available in 90 CRI  
 Viewing angle: 110°  
 Lifetime - L70: 60,000h  
 Working temperature: -20°C to 60°C (-4°F to 140°F)

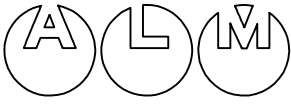
Wattage "RGBD or RGBI" - 92 Watt / 2,397 lm

Technical Data for RGB:  
 Form - tape, Operating voltage: 24VDC  
 Viewing angle: 120°  
 Lifetime - L70: 50,000h  
 Working temperature: -30°C to 75°C (-22°F to 167°F)

Remote Drivers:  
 Max. wiring distance / Load

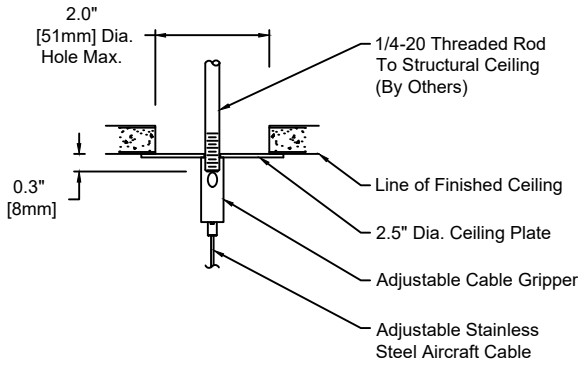
	Osram	Lutron
Wire Gauge	≤48W	≤96W
#18AWG	37'	18'
#16AWG	59'	29'
#14AWG	95'	47'



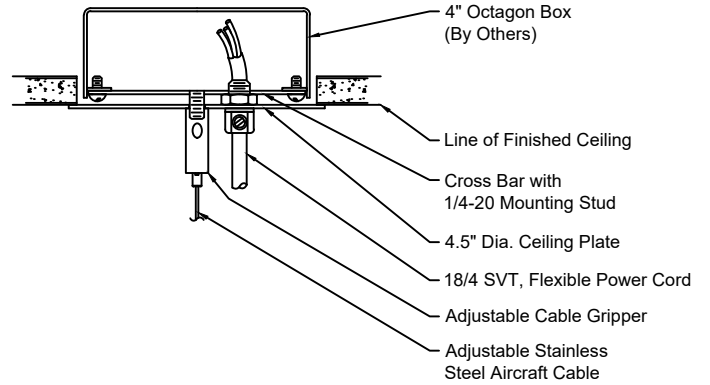


# Ring UD

## TECHNICAL SHEET

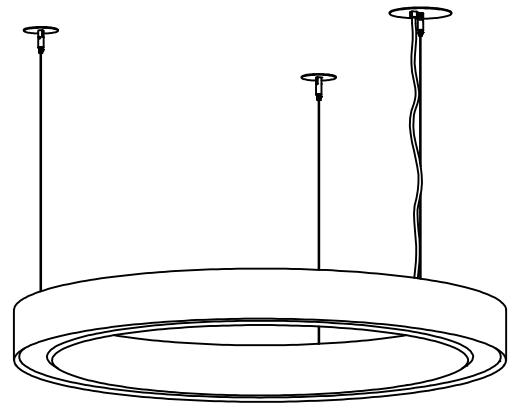
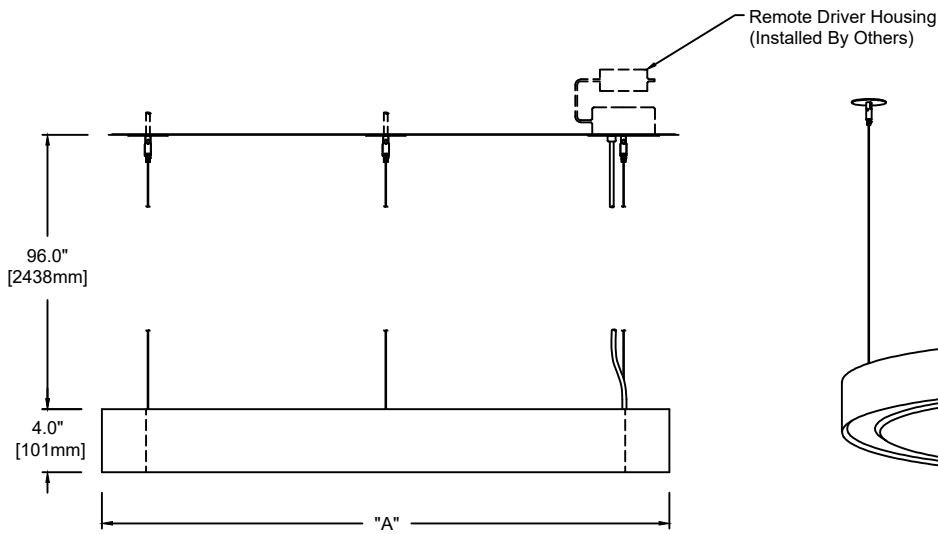


**Ceiling Plate Detail - Typ. (2)**  
Scale: N.T.S.



**Ceiling Plate - Octagon Box Detail**  
Scale: N.T.S.

**Note:**  
Ceiling plate finish matches housing



**Straight Cables Mounting**  
Scale: N.T.S.

Drawing 2 of 2

Series: 1692

Wire Gauge	Osram			Lutron	
	≤48W	≤72W	≤96W	≤40W	≤96W
#18AWG	37'	25'	18'	15'	25'
#16AWG	59'	39'	29'	25'	40'
#14AWG	95'	63'	47'	40'	60'