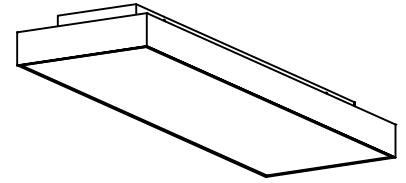
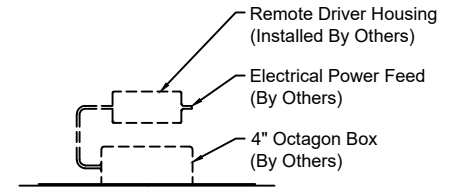
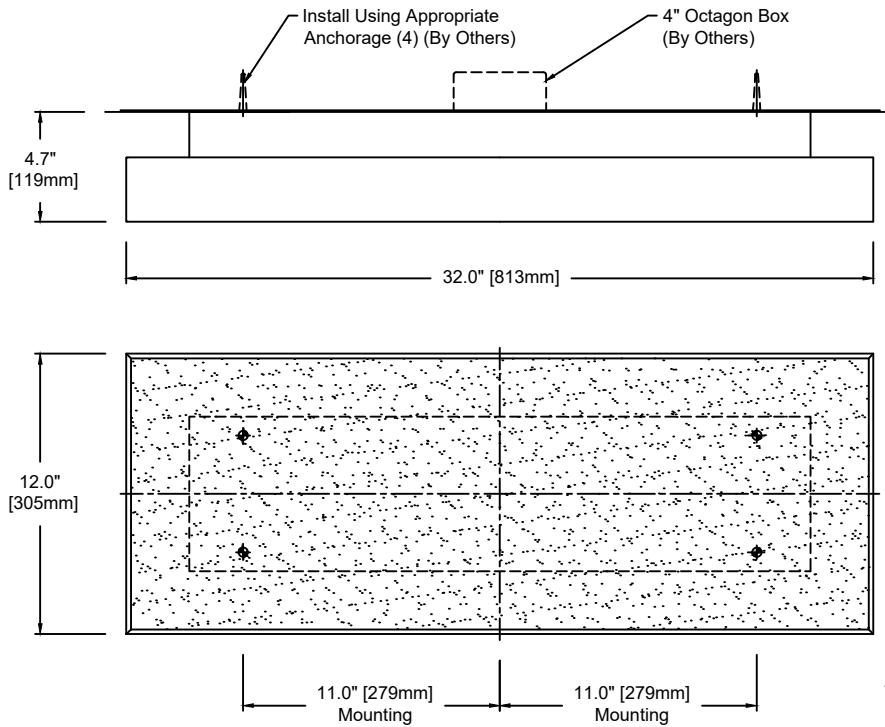


Step RC

TECHNICAL SHEET

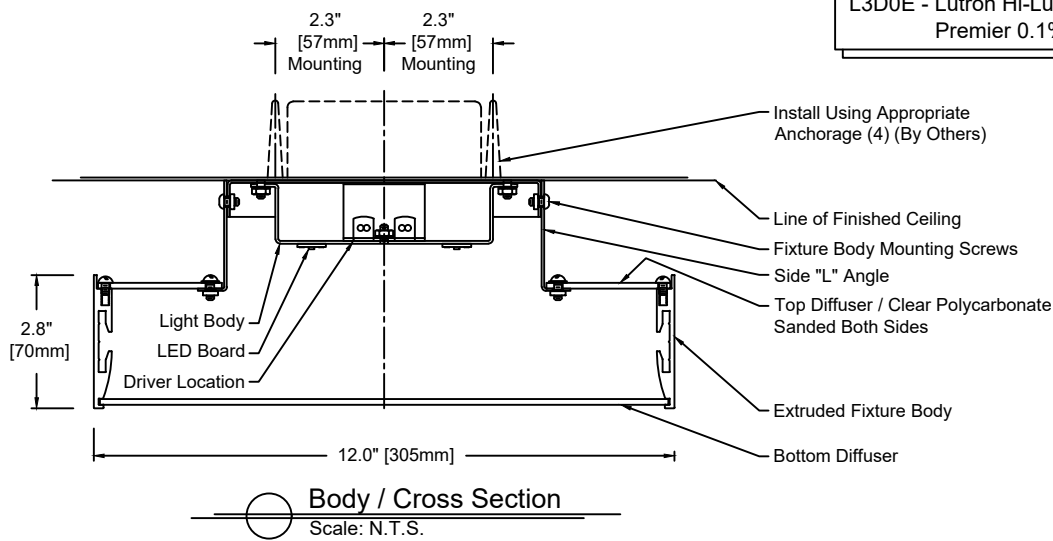


PERSPECTIVE VIEW



Remote Driver Detail:
Scale: N.T.S.

Note - Remote Driver:
L3D0E - Lutron Hi-Lume
Premier 0.1% EcoSystem - Only



Body / Cross Section
Scale: N.T.S.

Fixture Weight : 14 lbs

Model	Type	Size	Wattage	Color Temp	Voltage	Control	Diffuser	Finish			
1541	S	32	M	830	U	S	SW	16			
S - Surface		32"	L	827 - 2,700K	1 - 120 VAC only	S	SW - Satin Opal Acrylic	16 - Clear Anodized Aluminum			
			M	830 - 3,000K	U - 120/277 V	D010		21 - Painted White - RAL 9010 Matte			
				835 - 3,500K		DFPN		22 - Painted Custom Color			
				840 - 4,000K		L3DAE					
						L3D0E					
Wattage and Control			Wattage "L" - 12 Watt			Technical Data:			Remote Driver:		
Control (Integral 24V):			2,700K - 1,600 lm			Form - linear, Operating voltage: 24VDC			Max. wiring distance / Load		
S - Non-Dim			3,000K - 1,600 lm			Color rendering index Ra min: 82 CRI, Available in 90 CRI			Lutron		
D010 - 0-10V 10%			3,500K - 1,664 lm			Viewing angle: 110°			Wire Gauge		
DFPN - Lutron Forward Phase 1%, 120VAC			4,000K - 1,696 lm			Lifetime - L70: 60,000h			≤96W		
L3DAE - Lutron Hi-Lume 1% EcoSystem						Working temperature: -20°C to 60°C (-4°F to 140°F)			#18AWG 25'		
									#16AWG 40'		
									#14AWG 60'		
Control (Remote 24V):			Wattage "M" - 24 Watt								
L3D0E - Lutron Hi-Lume Premier 0.1% EcoSystem			2,700K - 2,972 lm								
			3,000K - 2,972 lm								
			3,500K - 3,096 lm								
			4,000K - 3,156 lm								

