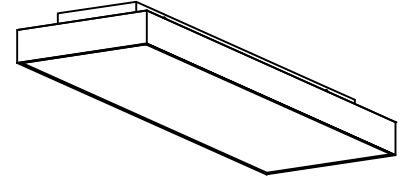
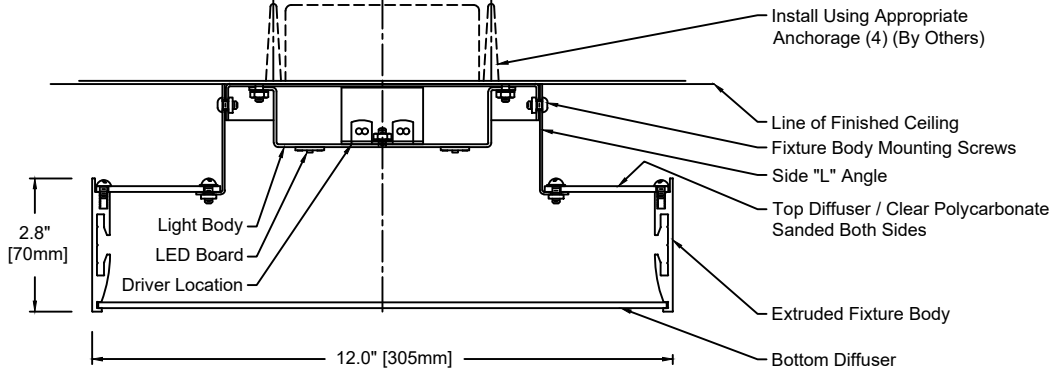
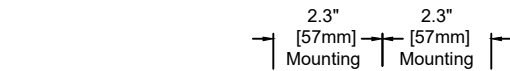
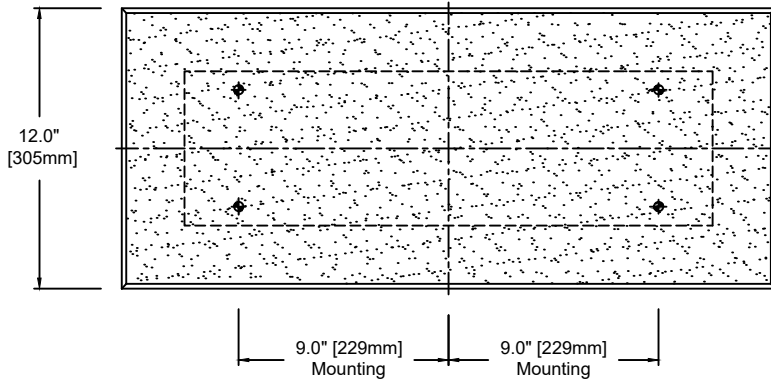
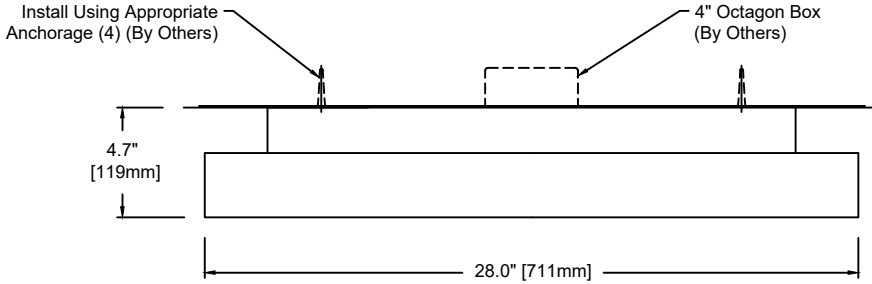


Step RC

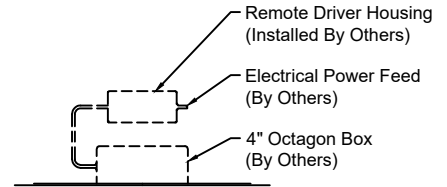
TECHNICAL SHEET



PERSPECTIVE VIEW



Body / Cross Section
Scale: N.T.S.



Remote Driver Detail:
Scale: N.T.S.

Note - Remote Driver:
L3D0E - Lutron Hi-Lume
Premier 0.1% EcoSystem - Only

Fixture Weight : 12 lbs

1541	S	28	M	830	U	S	SW	16
Model	Type	Size	Wattage	Color Temp	Voltage	Control	Diffuser	Finish
S - Surface	28"	L M	827 - 2,700K 830 - 3,000K 835 - 3,500K 840 - 4,000K	1 - 120 VAC only U - 120/277 V	S D010 DFPN L3DAE L3D0E	SW - Satin Opal Acrylic	16 - Clear Anodized Aluminum 21 - Painted White - RAL 9010 Matte 22 - Painted Custom Color	

Wattage and Control

Control (Integral):
S - Non-Dim
D010 - 0-10V 10%
DFPN - Lutron Forward Phase 1%, 120VAC
L3DAE - Lutron Hi-Lume 1% EcoSystem

Control (Remote 24V):
L3D0E - Lutron Hi-Lume Premier 0.1% EcoSystem

Wattage "L" - 10 Watt
2,700K - 1,333 lm
3,000K - 1,333 lm
3,500K - 1,387 lm
4,000K - 1,413 lm

Wattage "M" - 20 Watt
2,700K - 2,477 lm
3,000K - 2,477 lm
3,500K - 2,580 lm
4,000K - 2,630 lm

Technical Data:
Form - linear, Operating voltage: 24VDC
Color rendering index Ra min: 82 CRI, Available in 90 CRI
Viewing angle: 110°
Lifetime - L70: 60,000h
Working temperature: -20°C to 60°C (-4°F to 140°F)

Remote Driver:
Max. wiring distance / Load
Lutron
Wire Gauge ≤96W
#18AWG 25'
#16AWG 40'
#14AWG 60'

