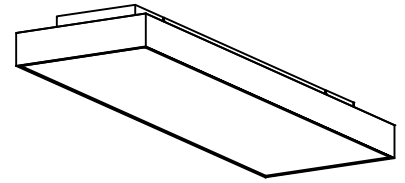
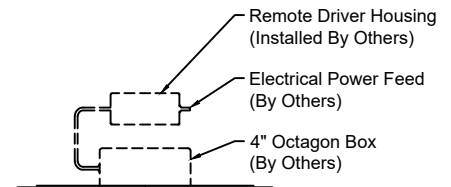
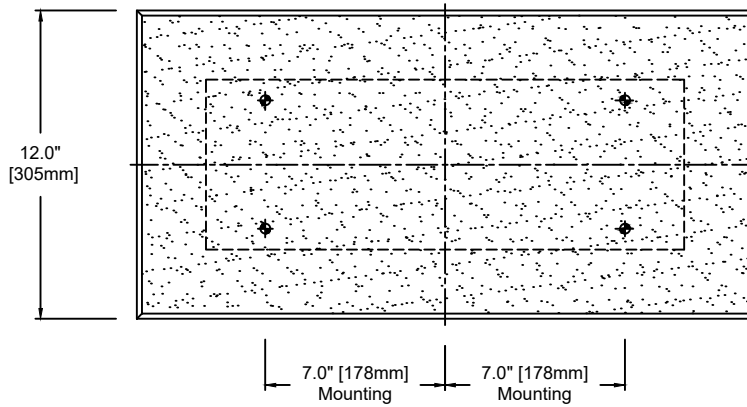
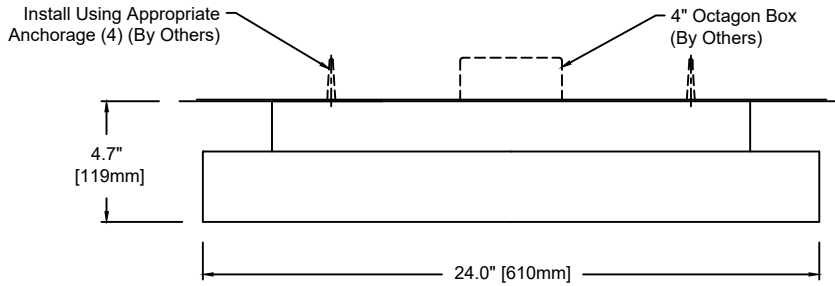


# Step RC

## TECHNICAL SHEET



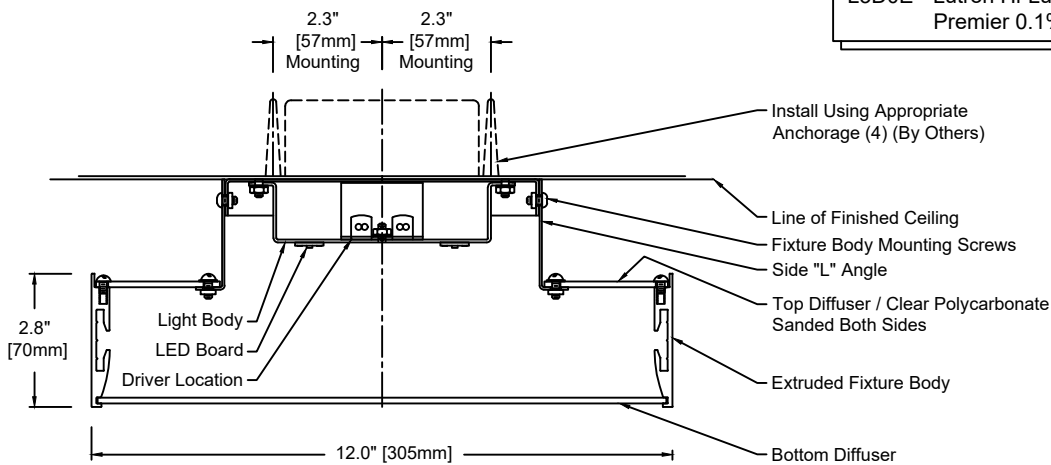
**PERSPECTIVE VIEW**



**Remote Driver Detail:**

Scale: N.T.S.

**Note - Remote Driver:**  
L3D0E - Lutron Hi-Lume  
Premier 0.1% EcoSystem - Only



**Body / Cross Section**

Scale: N.T.S.

**Fixture Weight : 10 lbs**

1541	S	24	M	830	U	S	SW	16
Model	Type	Size	Wattage	Color Temp	Voltage	Control	Diffuser	Finish
S - Surface	24"	L	827 - 2,700K	1 - 120 VAC only	S	SW - Satin Opal Acrylic	16 - Clear Anodized Aluminum	
		M	830 - 3,000K	U - 120/277 V	D010		21 - Painted White - RAL 9010 Matte	
			835 - 3,500K		DFPN		22 - Painted Custom Color	
			840 - 4,000K		L3DAE			
					L3D0E			

**Wattage and Control**

Control (Integral):  
S - Non-Dim  
D010 - 0-10V 10%  
DFPN - Lutron Forward Phase 1%, 120VAC  
L3DAE - Lutron Hi-Lume 1% EcoSystem

Wattage "L" - 8 Watt  
2,700K - 1,067 lm  
3,000K - 1,067 lm  
3,500K - 1,109 lm  
4,000K - 1,131 lm

Technical Data:  
Form - linear, Operating voltage: 24VDC  
Color rendering index Ra min: 82 CRI, Available in 90 CRI  
Viewing angle: 110°  
Lifetime - L70: 60,000h  
Working temperature: -20°C to 60°C (-4°F to 140°F)

Remote Driver:  
Max. wiring distance / Load  
Lutron  
Wire Gauge ≤96W  
#18AWG 25'  
#16AWG 40'  
#14AWG 60'

Control (Remote 24V):  
L3D0E - Lutron Hi-Lume Premier 0.1% EcoSystem

Wattage "M" - 16 Watt  
2,700K - 1,981 lm  
3,000K - 1,981 lm  
3,500K - 2,064 lm  
4,000K - 2,104 lm

