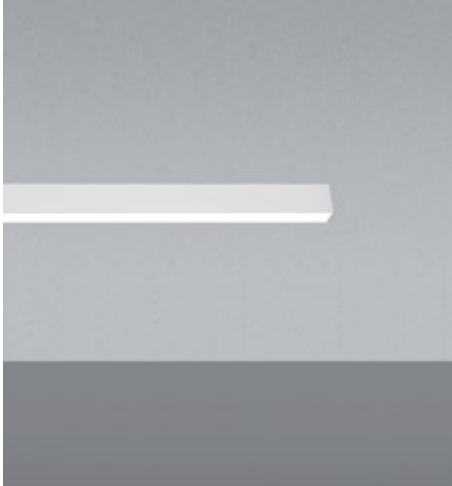


20 Linear Surface LED

Specifications



Ordering Information

Model	Type	Length	LED ²	Color ³	Voltage	Power ⁴	Diffuser	Mount	Options
WG-SM20LDL	S	A	L	827	UNV	S	OD (std)	SC	C4 (std)
	P ¹	A x B	M	830		D010	SD	MM	C10
	PZ ¹	A x B x C		835		D3W		G9	C20
		A x B x A x B		840		DES			C30
				927		DFPN			DL
				930					
				935	120				
				940		DFPN			

Luminaire

- Continuous, evenly illuminated snap-in lens without visible LED pattern.
- Standard Opal Diffuser for even illumination and no LED appearance. Satin Diffuser for high efficiency and minimal LED appearance.
- Field replaceable LED boards.
- 80+ CRI, 3 steps MacAdam.
- Lengths and angles factory cut to exact field dimensions.
- Standard and custom corners.
- Powder coat painted white - RAL 9010.
- 4' class 2 plenum rated feed cable standard (Options – "C4").

Type

- S = Straight run
- P = Standard patterns 2, 3 or 4 sided with 90° corners on the same plane¹
- PZ = Non-standard patterns and/or corners other than 90° on multiple planes, consult factory¹

Length

- A, B, C = specify feet & inches to the nearest 0.25" (i.e. 6' 5.5") For patterns specify each length (i.e. 2 sided: A x B = 6' 5" x 6'; 3 sided: A x B x C; 4 sided: A x B x A x B)

LED²

- L = Low Power (3.2W/ft)
- M = Mid Power (6.4W/ft)

Color / Lumens³

- 80+ CRI minimum (Low/Mid)
- 827 = 2700K (316/534 lm/ft)
- 830 = 3000K (343/579 lm/ft)
- 835 = 3500K (343/579 lm/ft)
- 840 = 4000K (355/601 lm/ft)
- For 90+ CRI specify 927, 930, etc.

Voltage

- UNV = 120 - 277V
- 120 = 120V (DFPN only)

Power Supply (remote)⁴

- S = standard driver 120-277V
- D010 = 10%, 0-10V dimming, 120-277V
- D3W = Lutron, 1%, 3-wire dimming, 120-277V
- DES = Lutron, 1%, EcoSystem E1/E2 digital dimming, 120-277V
- DFPN = Lutron 1% forward phase with neutral, 120V only

Diffuser

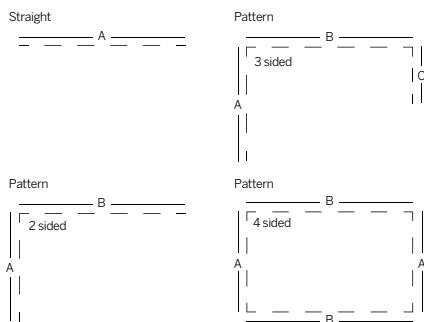
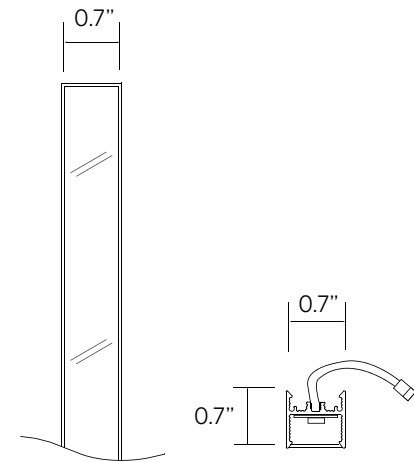
- OD = Opal diffuser (standard)
- SD = Satin diffuser

Mounting

- SC = surface mount, screw clip (standard)
- MM = magnetic mounting
- G9 = 9/16" T-bar grid clip

Options

- C4 = 4' tray cable (plenum rated) (standard)
- C10 = 10' tray cable (plenum rated)
- C20 = 20' tray cable (plenum rated)
- C30 = 30' tray cable (plenum rated)
- Contact factory for emergency lighting options
- DL = Damp location
- To specify multiple options select the appropriate grouped codes from the dropdown e.g. C10-DL



- See pattern spec sheet.
- Wattage shown does not include power supplies/drivers.
- Delivered lumens with satin diffuser shown. Lumens for CRI 90(+), are about 16% lower compared to standard CRI 80(+).
- Remote power supply required. See power supply page for details.

20 Linear Surface LED

Dimensions

