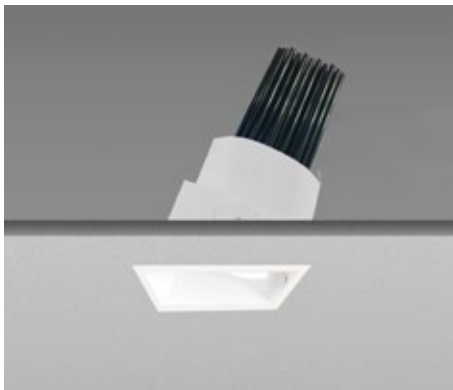
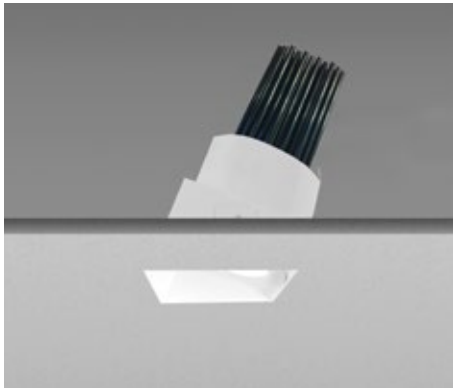


60 Square Wall Wash IP LED - Chicago Plenum/IC Specifications



Ordering Information

Model	LED ^{1,2}	Rated Lumens ³	Beam Angle	Voltage	Power Supply ⁴	Diffuser	Options
WG-P60SWWIP plaster-in	80 CRI CB-827	L	30	UNV	X	CD	CP
WG-B60SWWIP bezel trim	CB-830	M	40		S	FR (80° Beam Only)	IC
	CB-835	H	80		D010		
	CB-840				D3W ⁵	MP	
	CB-840				DES ⁵		
	90 CRI CB-927			120	DFPN ⁵		
	CB-930						
	CB-935						
	CB-940						
	95 CRI CB-F927						
	CB-F930						
	CB-F935						
	CB-F940						

Luminaire

- Bezel trim or trimless 'plaster-in' 2.4" square Wall Wash (20° tilt) for drywall ceilings and tiles.
- IP65 rated, wet location (suitable for shower).
- Installation housing for Chicago plenum or insulated ceilings.
- Die-cast aluminum LED insert with retaining springs and gasket.
- Tool free lamp maintenance.
- Frosted regressed diffuser standard, other diffusers available (see diffusers).
- Powder coat painted white - RAL 9010.

LED^{1,2}

- 80+ CRI (Low/Medium/High Power)
- CB-827 = 2700K, 1045/1233/1540lm
 - CB-830 = 3000K, 1045/1233/1540lm
 - CB-835 = 3500K, 1091/1311/1698lm
 - CB-840 = 4000K, 1091/1311/1698lm
 - For 90+ CRI specify, CB-927, CB-930, etc. Approximately 15% less lumens than 80 CRI.
 - For 95+ CRI specify, CB-F927, CB-F930, etc. Approximately 30% less lumens than 80 CRI.

Power³

- L = Low Power, 6.8W @ 400mA
- M = Mid Power, 8.6W @ 500mA
- H = High Power, 12.4W @ 700mA

Beam Angle

- 30 = 30° accent illumination
- 40 = 40° general illumination
- 80 = 80° general illumination

Voltage

- UNV = 120-277V
- 120 = 120V

Power Supply (remote)⁴

- X = No driver.
- S = Standard non-dim driver, 120-277V.
- D010 = EldoLED, 1%, 0-10V dimming, 120-277V.
- D3W = Lutron, 1%, 3-wire dimming, 120V-277V.⁵
- DES = Lutron, 1%, EcoSystem E1/E2 digital dimming, 120-277V.⁵
- DFPN = Lutron 1% forward phase with neutral, 120V only.⁵

Diffuser (frosted diffuser standard)

- CD = Regressed Clear Diffuser
- FR = Regressed Frosted Diffuser
- MP = Regressed Micro Prismatic Diffuser

Emergency

- Emergency LED driver available, order separately.

Options

- CP = Chicago Plenum Housing
- IC = Insulated Ceiling Housing
- NC = New Construction Plate available, contact factory

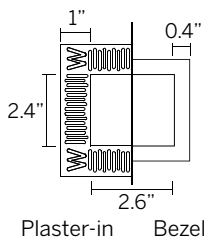
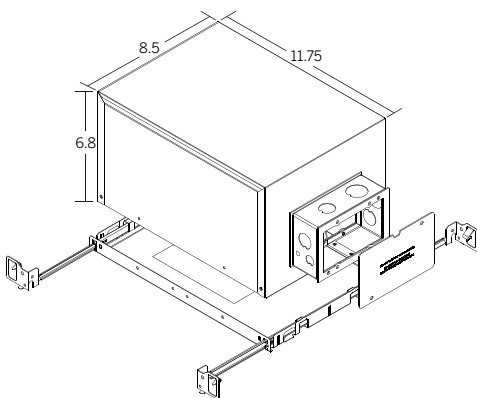
¹ Other lumen packages available, consult factory.

² See LED data sheet for delivered lumens.

³ Wattage shown does not include power supplies/drivers. System wattage adds 10-20%.

⁴ See power supply page for details.

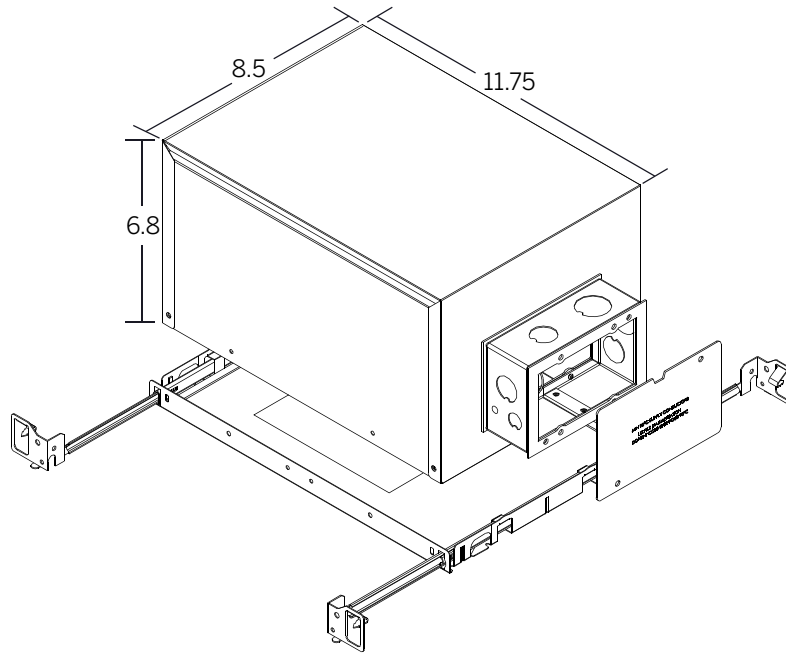
⁵ Consult factory for lead-times.



cut-out dimensions 2 15/16" x 2 15/16"

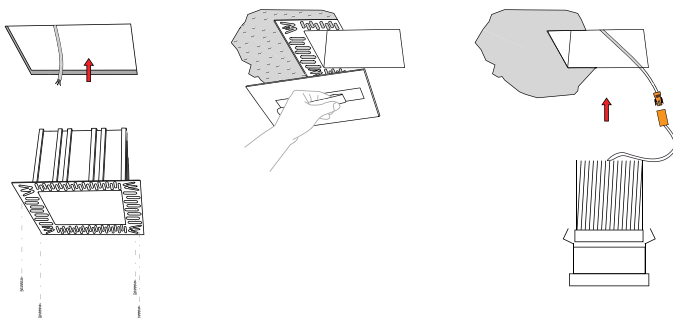


60 Square Wall Wash IP LED - Chicago Plenum/IC Dimensions

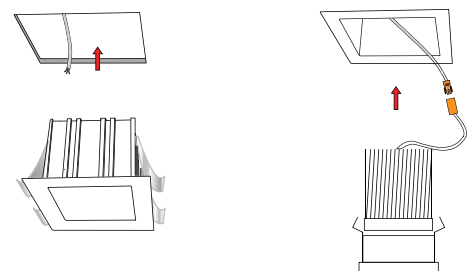


See power supply page for details.

Plaster-in instructions

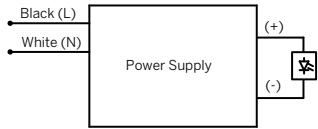


Bezel instructions

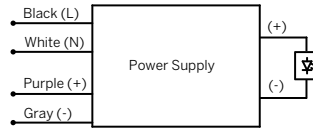


60 Square Wall Wash IP LED - Chicago Plenum/IC Power Supplies

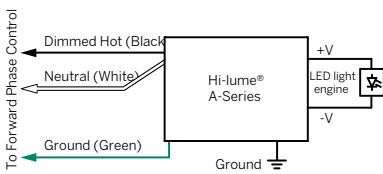
S (Standard non-dim)



D010 (EldoLED 0-10V)

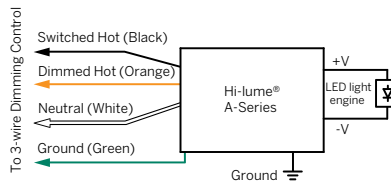


DFPN (Lutron forward phase with neutral)

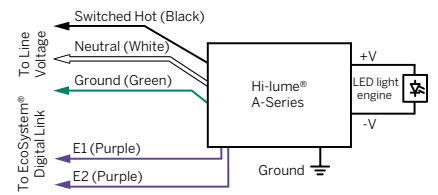


Note: Colors shown correspond to terminal blocks on driver.

DW3 (Lutron 1%, 3-wire)



DES (Lutron EcoSystem® digital)



Note: Colors shown correspond to terminal blocks on driver.

Note: Colors shown correspond to terminal blocks on driver.