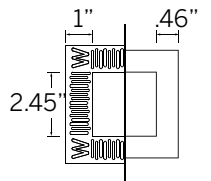
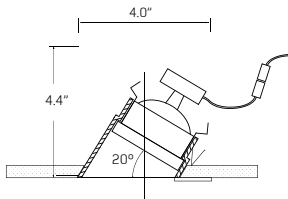


# 60 Square Wallwash (IP) Specifications



2.4 inch square recessed wall wash with bezel trim or trimless 'plaster-in' for absolute minimal visual impact. Square open aperture with regressed frosted glass lens.



Plaster-in    Bezel

cut-out dimensions 3 1/8" x 3 1/8" square

## Ordering Information<sup>1</sup>

Model	Lamp	Watts	Voltage	Power Supply <sup>2</sup>	Options
WG-P60SWWIP plaster-in	LVR low voltage halogen MR16 GU5.3	20	120	DELV	CG MP
WG-B60SWWIP bezel			12	X no power supply (for magnetic order below)	

<sup>1</sup>Specify remote power supply separately below. <sup>2</sup>See power supply pages for details.

### Luminaire

- Bezel trim or trimless 'plaster-in' for drywall ceilings.
- IP65 rated, wet location.
- Installation from below for remodel, new construction or outdoor under canopy.
- 'Easy click' machined diecast aluminum lamp insert module with retaining springs and gasket.
- Diecast aluminum housing.
- Regressed frosted glass lens standard, other lenses available (see options).
- Powdercoat painted white - RAL 9010.
- Suitable for shower.

### Lamp

- LVR = low voltage halogen MR16 GU5.3 (open aperture compatible with LED MR16)

### Watts

- 20 = 20W

### Voltage

- 120 = 120V
- 12 = 12V load (MR16)

### Options (regressed frosted glass standard)

- CG = clear glass
- MP = regressed micro prismatic glass

### Power Supply<sup>2</sup>

DELV = Electronic low voltage remote driver 120V = 60W, class 2, dimmable (1 per fixture included)

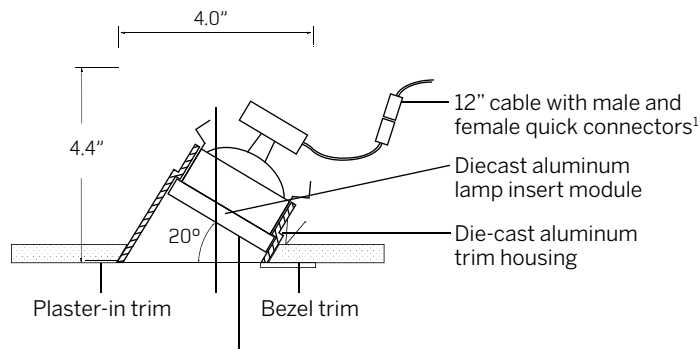
Specify X above and order Magnetic low voltage dimmable transformers separately below

- T-540-10002 = 300W, 12VAC, 120V, class 2, 5 lamps, remote transformer<sup>3</sup>
- T-540-10017 = 300W, 12VAC, 277V, class 2, 5 lamps, remote transformer<sup>3</sup>
- T-540-10015 = 500W, 12VAC, 120V, class 2, 8 lamps, remote transformer<sup>4</sup>
- T-540-10014 = 500W, 12VAC, 277V, class 2, 8 lamps, remote transformer<sup>4</sup>

<sup>3</sup>See power supply pages for details. <sup>3</sup>Up to 5 fixtures controlled per dimmer/switch.

<sup>4</sup>Up to 8 fixtures controlled per dimmer/switch.

# 60 Square Wallwash (IP) Dimensions

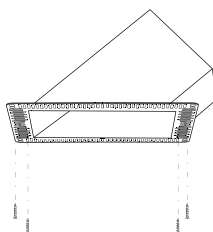
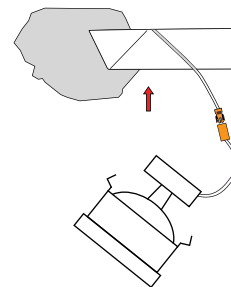
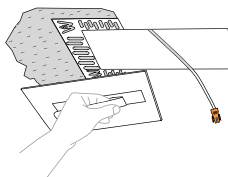
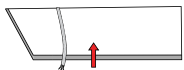


Regressed glass assembly

cut-out dimensions 3 1/8" x 3 1/8" square

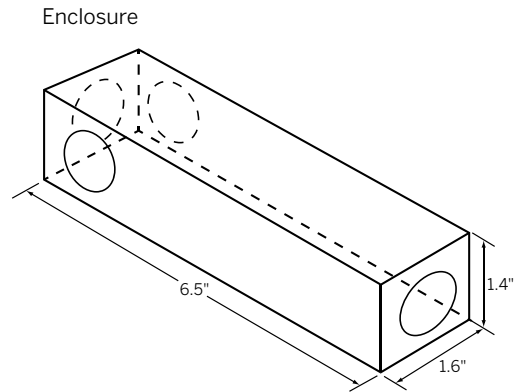
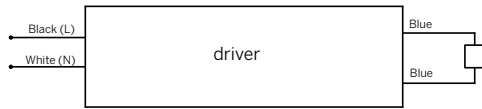
<sup>1</sup>Connectors included. Class II low voltage wire supplied by others. See power supply page for details.

## Plaster-in instructions



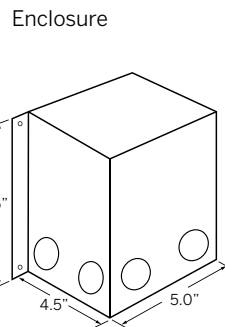
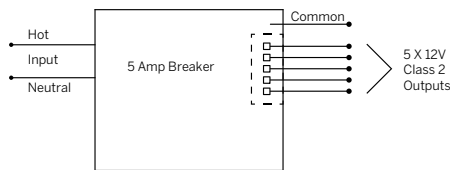
## DELV (Electronic LV driver)

120V dimmable electronic low voltage driver.  
 Class 2 driver, maximum distance 10'.  
 Supplied with enclosure (shown right).



## Magnetic LV transformer Class 2, UL 2108, fully dimmable

300W  
 # T-540-10002 (120V)  
 # T-540-10017 (277V)  
 weight 10 lbs.



500W  
 # T-540-10015 (120V)  
 # T-540-10014 (277V)  
 Weight 19 lbs.

