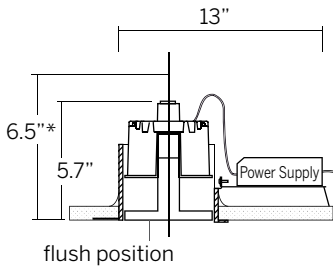
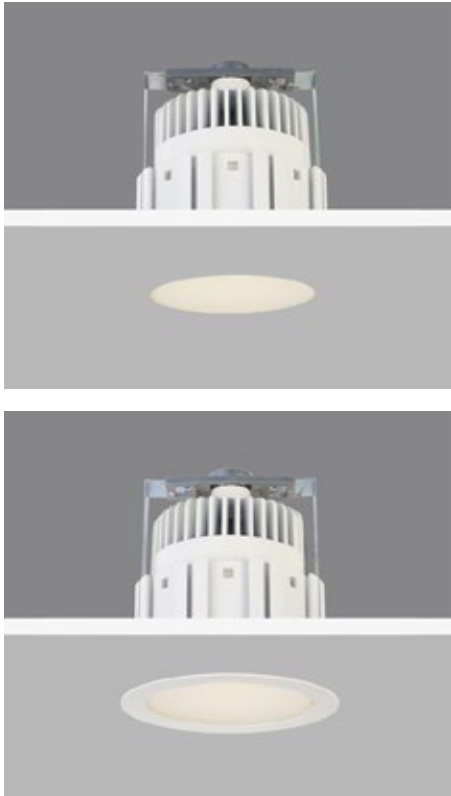
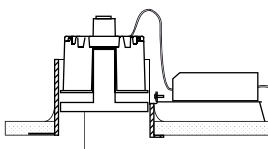


100 Round Downlight LED

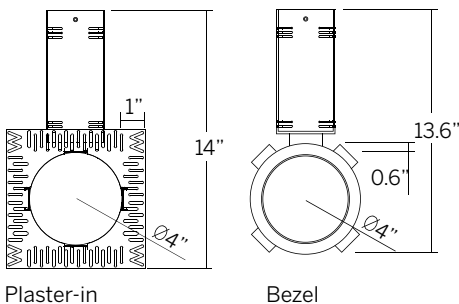
Specifications



flush position



regressed position



Plaster-in

Bezel

cut-out dimensions \varnothing 4 3/4"

*requires 6.5" clearance to install junction box

Ordering Information

Model	LED ^{1,2}	Power ³	Beam Angle	Voltage	Power Supply ⁴	Diffuser
WG-P100RDL plaster-in	80 CRI CB-827	L	30	UNV	S	CD
WG-B100RDL bezel trim	CB-830	M	50	120	D010 D3W ⁵ DES ⁵	FR (91° Beam Only) MP
	CB-835	H	91			
	90 CRI CB-927					
	CB-930					
	CB-935					
	CB-940				DFPN ⁵	

Luminaire

- Bezel trim or trimless 'plaster-in' 4" round downlight for drywall ceilings and tiles.
- Installation from below the ceiling for remodel or new construction.
- 'Easy click' tool free installation of die-cast aluminum LED insert.
- Die-cast aluminum trim housing with heavy gauge galvanized steel yoke.
- Removable driver box from below ceiling.
- Adjustable frosted diffuser (standard), other diffusers available (see diffusers).
- Powder coat painted white - RAL 9010.

LED^{1,2}

80+ CRI (Low/Medium/High Power)

- CB-827 = 2700K, 1852/2055/2478lm
- CB-830 = 3000K, 1852/2055/2478lm
- CB-835 = 3500K, 1963/2198/2670lm
- CB-840 = 4000K, 1963/2198/2670lm
- For 90+ CRI specify, ex CB-927, CB-930, approx. 15% less lumens than 80 CRI.
- For 95+ CRI specify, ex CB-F927, CB-F930, approx. 30% less lumens than 80 CRI.

Power³

- L = Low Power, 11.9W @ 350mA
- M = Mid Power, 13.7W @ 400mA
- H = High Power, 17.4W @ 500mA

Beam Angle

- 30 = 30° accent illumination
- 50 = 50° general illumination
- 91 = 91° general illumination

Voltage

- UNV = 120-277V
- 120 = 120V

Power Supply (integral)⁴

- S = Standard non-dim driver, 120-277V.
- D010 = EldoLED, 1%, 0-10V dimming, 120-277V.
- D3W = Lutron, 1%, 3-wire dimming, 120V-277V.⁵
- DES = Lutron, 1%, EcoSystem E1/E2 digital dimming, 120-277V.⁵
- DFPN = Lutron 1% forward phase with neutral, 120V only.⁵

Diffuser (frosted diffuser standard)

- CD = Clear Diffuser
- FR = Frosted Diffuser (91° Beam Only)
- MP = Micro Prismatic Diffuser

Emergency

- Emergency LED driver available, order separately.

Options

- CP = Chicago Plenum Housing available, refer to specific data sheet.
- IC = Insulated Ceiling Housing available, refer to specific data sheet.
- NC = New Construction Plates available, consult factory.

¹ Other lumen packages available, consult factory.

² See LED data sheet for delivered lumens.

³ Wattage shown does not include power supplies/drivers. System wattage adds 10-20%.

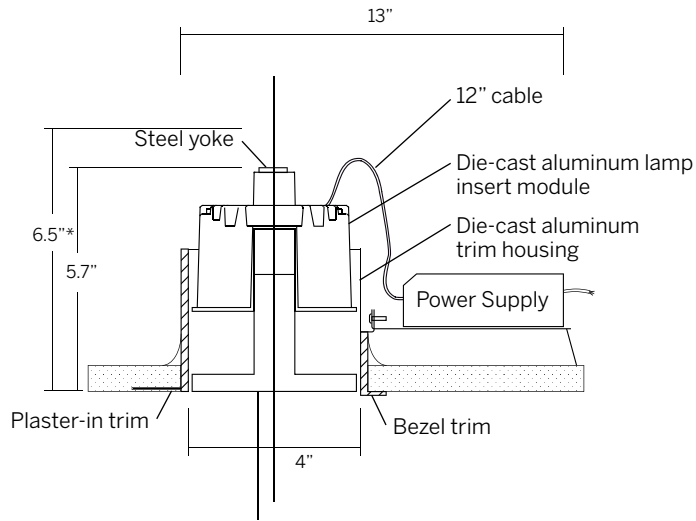
⁴ See power supply page for details.

⁵ Consult factory for lead-times.

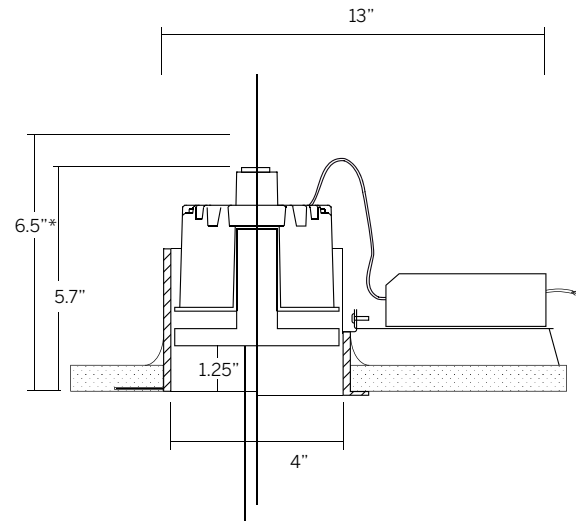


100 Round Downlight LED

Dimensions



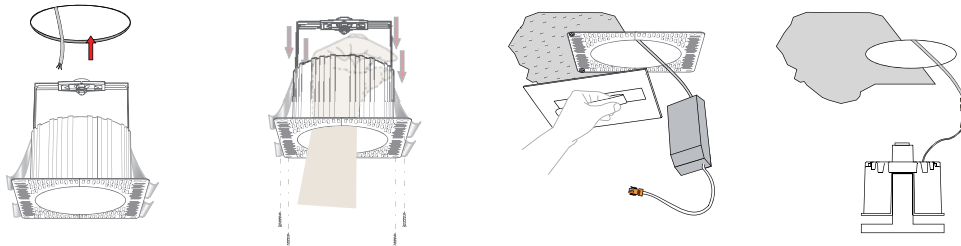
Frosted diffuser (flush position)



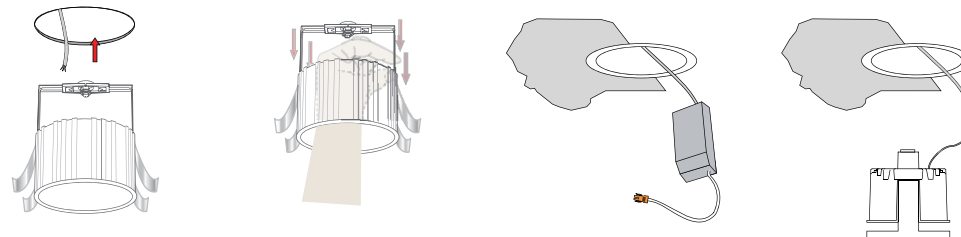
Frosted diffuser (regressed position)

See power supply page for details.

Plaster-in instructions



Bezel instructions



100 Round Downlight LED Power Supplies

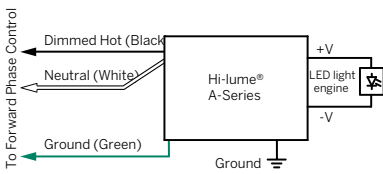
S (Standard non-dim)



D010 (EldoLED 0-10V)

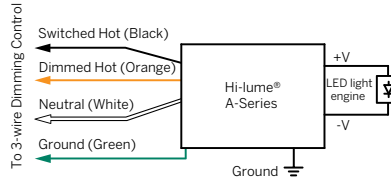


DFPN (1% Lutron forward phase with neutral)

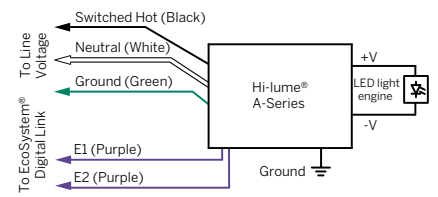


Note: Colors shown correspond to terminal blocks on driver.

DW3 (Lutron 1%, 3-wire)



DES (Lutron 1% EcoSystem® digital)



Note: Colors shown correspond to terminal blocks on driver.