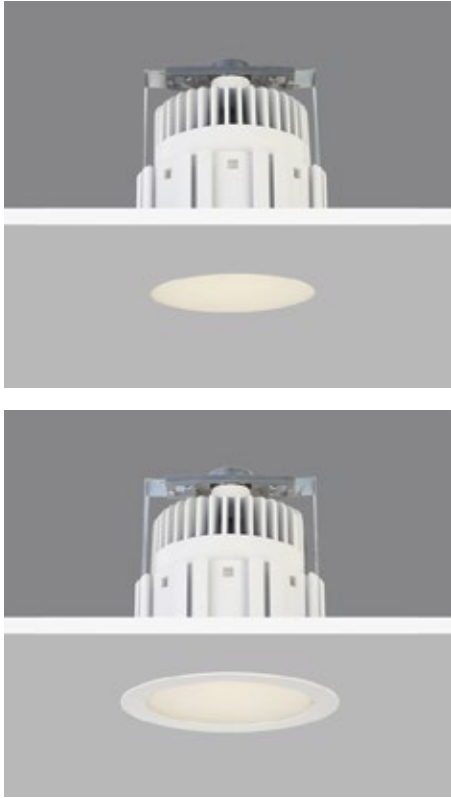


100 Round Downlight LED - Chicago Plenum/IC Specifications



Ordering Information

Model	LED ^{1,2}	Power	Beam Angle	Voltage ³	Power Supply ⁴	Diffuser	Options
WG-P100RDL plaster-in	80 CRI CB-827	L	30	UNV	S	CD	CP
WG-B100RDL bezel trim	CB-830 CB-835 CB-840	M H	50 91		D010 D3W ⁵ DES ⁵	FR (91° Beam Only) MP	IC
	90 CRI CB-927 CB-930 CB-935 CB-940			120	DFPN ⁵		

Luminaire

- Bezel trim or trimless 'plaster-in' 4" round Downlight for drywall ceilings and tiles.
- Installation housing for Chicago plenum or insulated ceilings.
- 'Easy click' tool free installation of die-cast aluminum LED insert.
- Die-cast aluminum trim housing with heavy gauge galvanized steel yoke.
- Adjustable frosted diffuser (standard), other diffusers available (see diffusers).
- Powder coat painted white - RAL 9010.

LED^{1,2}

- 80+ CRI (Low/Medium/High Power)
- CB-827 = 2700K, 1852/2055/2478lm
 - CB-830 = 3000K, 1852/2055/2478lm
 - CB-835 = 3500K, 1963/2198/2670lm
 - CB-840 = 4000K, 1963/2198/2670lm
 - For 90+ CRI specify, CB-927, CB-930, etc. Approximately 15% less lumens than 80 CRI.
 - For 95+ CRI specify, CB-F927, CB-F930, etc. Approximately 30% less lumens than 80 CRI.

Power³

- L = Low Power, 11.9W @ 350mA
- M = Mid Power, 13.7W @ 400mA
- H = High Power, 17.4W @ 500mA

Beam Angle

- 30 = 30° accent illumination
- 50 = 50° general illumination
- 91 = 91° general illumination

Voltage

- UNV = 120-277V
- 120 = 120V

Power Supply (remote)⁴

- S = Standard non-dim driver, 120-277V.
- D010 = EldoLED, 1%, 0-10V dimming, 120-277V.
- D3W = Lutron, 1%, 3-wire dimming, 120V-277V.⁵
- DES = Lutron, 1%, EcoSystem E1/E2 digital dimming, 120-277V.⁵
- DFPN = Lutron 1% forward phase with neutral, 120V only.⁵

Diffuser (frosted diffuser standard)

- CD = Clear Diffuser
- FR = Frosted Diffuser
- MP = Micro Prismatic Diffuser

Emergency

- Emergency LED driver available, order separately.

Options

- CP = Chicago Plenum Housing
- IC = Insulated Ceiling Housing
- NC = New Construction Plates available, consult factory.

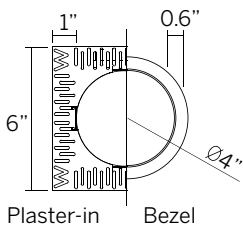
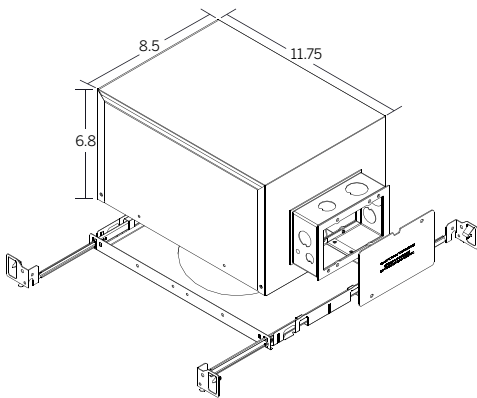
¹ Other lumen packages available, consult factory.

² See LED data sheet for delivered lumens.

³ Wattage shown does not include power supplies/drivers. System wattage adds 10-20%.

⁴ See power supply page for details.

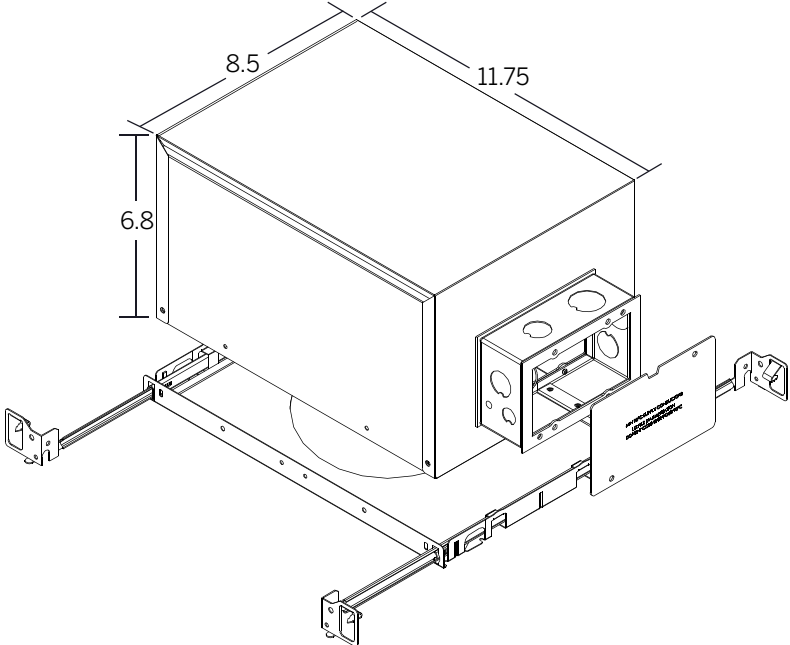
⁵ Consult factory for lead-times.



cut-out dimensions Ø 4 3/4"

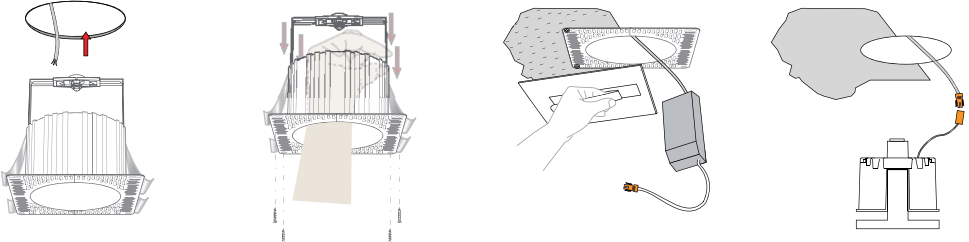


100 Round Downlight LED - Chicago Plenum/IC Dimensions

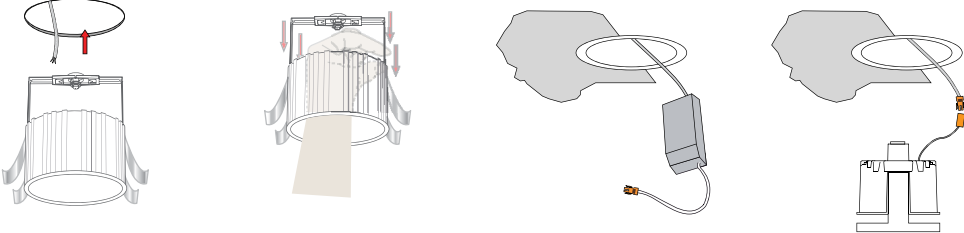


See power supply page for details.

Plaster-in instructions

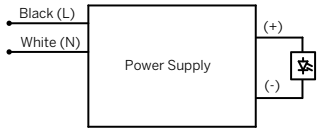


Bezel instructions

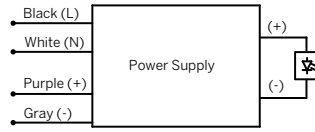


100 Round Downlight LED - Chicago Plenum/IC Power Supplies

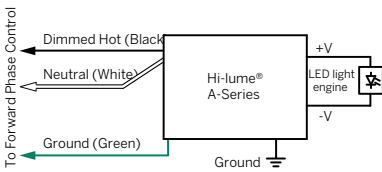
S (Standard non-dim)



D010 (EldoLED 0-10V)

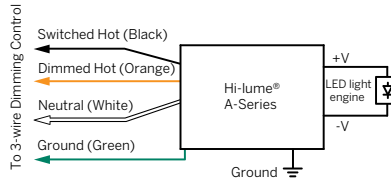


DFPN (Lutron forward phase with neutral)

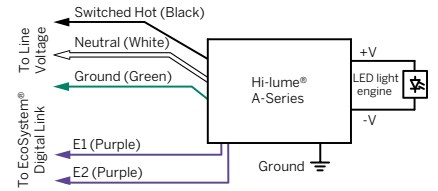


Note: Colors shown correspond to terminal blocks on driver.

DW3 (Lutron 1%, 3-wire)



DES (Lutron EcoSystem® digital)



Note: Colors shown correspond to terminal blocks on driver.

Note: Colors shown correspond to terminal blocks on driver.